

# WATER MAIN DROP GUIDELINES

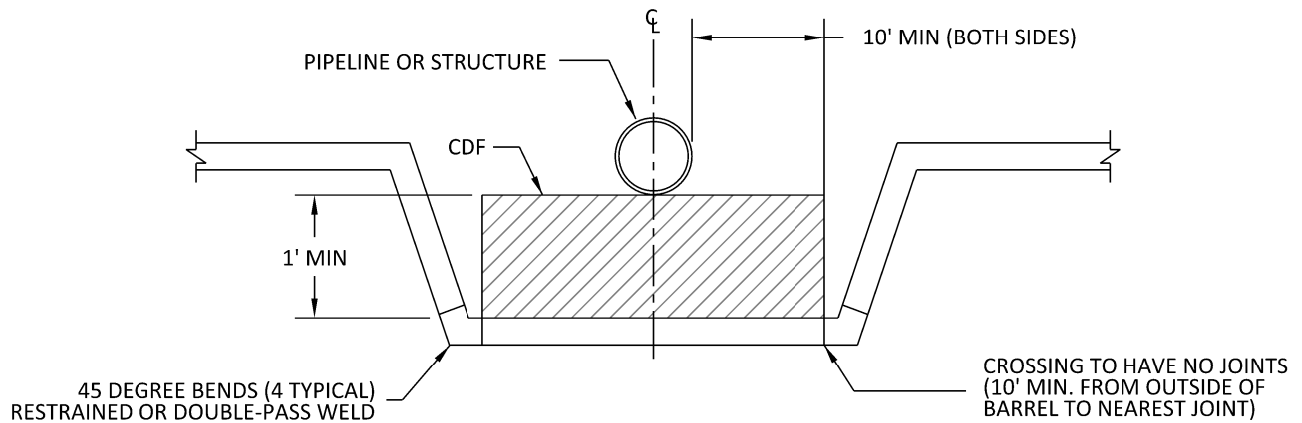
PROJECT NAME:

WO/CO ACCT NO:	DRAFTED BY: GS
REVISION DATE: 11/20/2019	REVIEWED BY: ARMANDO ARROYO



**GENERAL NOTES:**

1. ALL WATER MAIN LARGER THAN 12" GOING UNDERNEATH PIPELINE OR STRUCTURE MUST BE CML&C AND WATER MAIN 12" AND SMALLER GOING UNDERNEATH PIPELINE OR STRUCTURE WILL BE PVC PER CASE I OR CML&C PER CASE II, UNLESS OTHERWISE APPROVED BY EMWD.
2. ALL WATER MAIN GOING UNDERNEATH PIPELINE OR STRUCTURE MUST BE 20 FEET MINIMUM WITH NO JOINTS ALONG THE PIPELINE OR STRUCTURE IT CROSSES. THE WATER MAIN MUST BE EXTENDED FROM EACH SIDE OF THE PIPELINE OR STRUCTURE A MINIMUM OF TEN FEET (10') HORIZONTAL CLEARANCE FROM THE OUTSIDE EDGE OF THE PIPELINE OR STRUCTURE TOWARD THE BEND JOINT.
3. ALL WATER MAIN GOING UNDERNEATH PIPELINE OR STRUCTURE MUST HAVE CONTROL DENSITY FILL (CDF) BETWEEN THE WATER MAIN AND THE PIPELINE OR STRUCTURE IT CROSSES.
4. ALL WATER MAIN GOING UNDERNEATH PIPELINE OR STRUCTURE MUST HAVE A MINIMUM OF ONE FOOT VERTICAL SEPARATION BETWEEN THE WATER MAIN AND THE PIPELINE OR STRUCTURE IT CROSSES. A VERTICAL SEPARATION LESS THAN ONE FOOT WILL REQUIRE EMWD ENGINEER'S APPROVAL.
5. ALL WATER MAIN GOING UNDERNEATH PIPELINE OR STRUCTURE SHALL USE 45 DEGREE BENDS, UNLESS OTHERWISE APPROVED BY EMWD
6. ALL PVC WATER MAIN 12" AND SMALLER GOING UNDERNEATH PIPELINE OR STRUCTURE MUST BE C900 CLASS 200.
7. FOR CML&C PIPE, PROVIDE CTS STATION PER EMWD STD DWG B-660, B-661, & B-662 OR AS REQUIRED PER CORROSION REPORT RECOMMENDATION.
8. FOR CML&C PIPE, PROVIDE CORROSION REPORT RECOMMENDATION FROM A LICENSED CORROSION ENGINEER OR NACE CERTIFIED SPECIALIST.
9. ALL CML&C PIPE SHALL BE MANUFACTURED PER EMWD STANDARD SPECIFICATION 15059 AND 15061.
10. ALL CROSSINGS INVOLVING NON-POTABLE WATER SHALL ADHERE TO THE CALIFORNIA CODE OF REGULATIONS (CCR), TITLE 22, DIVISION 4, CHAPTER 16, SECTION 64572.
11. ALL METALLIC FITTINGS AND PARTS SHALL BE COATED WITH WAX TAPE PER AWWA C-217 OR AS PER CORROSION REPORT RECOMMENDATION.



**NOT TO SCALE**