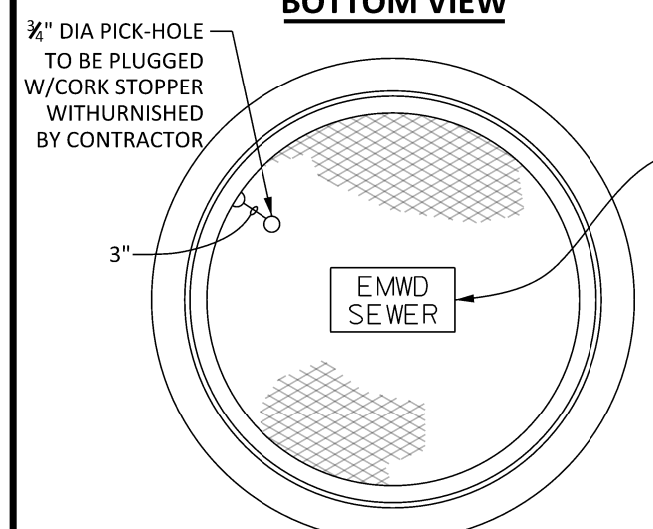
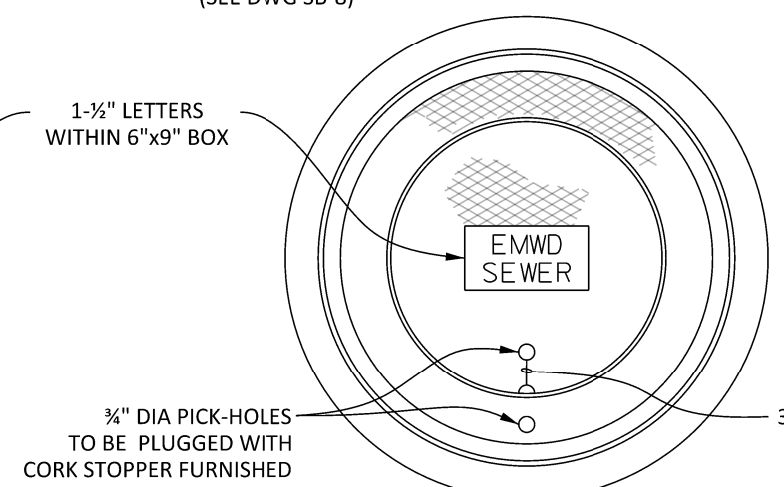


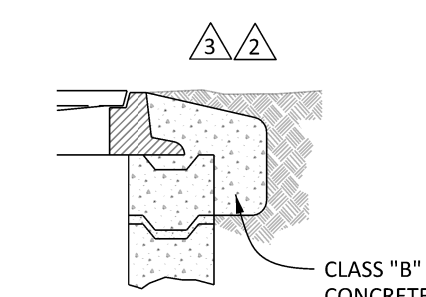
BOTTOM VIEW



TOP VIEW

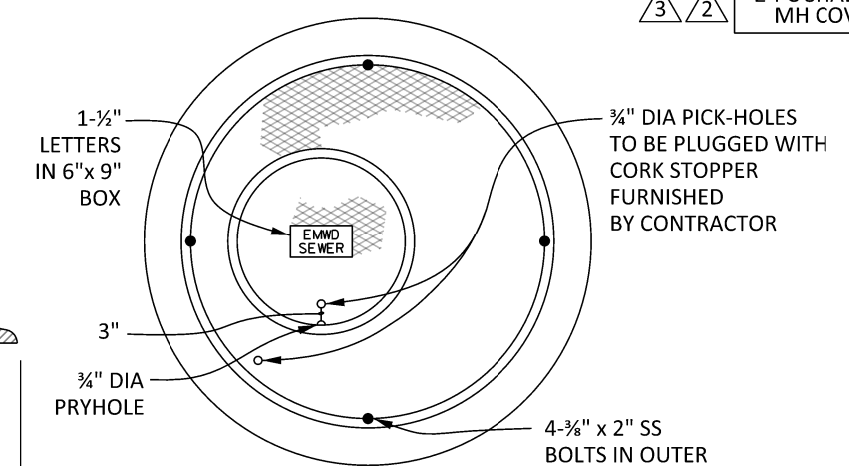


TOP VIEW



ROADWAY SHOULDER OR DIRT ROADWAY

USE AC APRON ON ALL UNIMPROVED ROADS (SEE STD DWG SA-47)



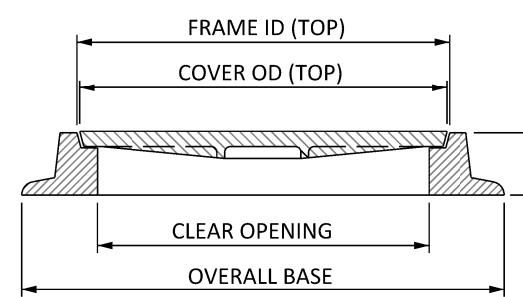
TOP VIEW

3 2 TWO-PIECE SHALLOW MH COVER

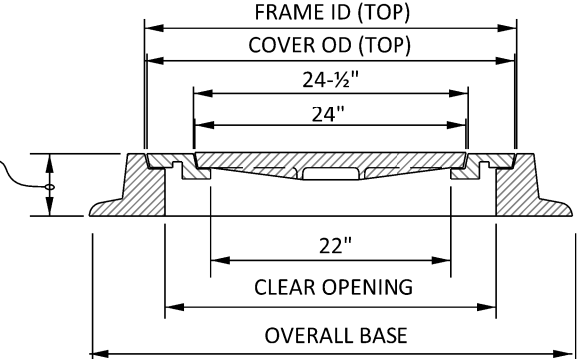
NOTES:

1. MANHOLE COVER SHALL BE DESIGNED FOR AASHTO H-20 LOADING.
2. CAST IRON SHALL HAVE A MINIMUM TENSILE STRENGTH OF 3000 LBS PER SQUARE INCH.
3. MANHOLE COVER SHALL BE ALHAMBRA FOUNDRY CO TYPE A-1254 FOR 24" CLEAR OPENING OR A-1325 FOR 36" CLEAR OPENING WITH A TWO-PIECE COVER ASSEMBLY (OR APPROVED EQUAL).
4. MARKER POSTS SHALL BE INSTALLED TO MARK MANHOLE LOCATIONS IN UNIMPROVED AREAS.
5. CONTRACTOR TO USE MANHOLES WITH 24" CLEAR OPENING FOR SEWERS 24" DIA AND SMALLER AND 36" CLEAR OPENING FOR SEWERS LARGER THAN 24" DIA UNLESS OTHERWISE DIRECTED BY ENGINEER.
6. USE TWO-PIECE COVER ASSEMBLY FOR 36" CLEAR OPENING UNLESS OTHERWISE DIRECTED BY ENGINEER.
7. ONE-PIECE COVER SHOWN HERE IS FOR 24" CLEAR OPENING FOR 36" CLEAR OPENING REFER TO MANUFACTURER'S CATALOG.
8. USE TWO-PIECE SHALLOW MH COVER BY SOUTH BAY FOUNDRY SBF-1348 (OR APPROVED EQUAL) FOR SHALLOW MANHOLES PER SB-30.

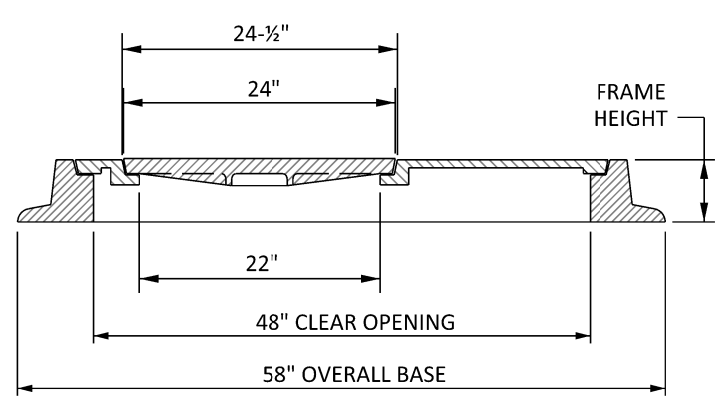
| MANHOLE COVER & FRAME REQUIRED DIMENSIONS | | | | | |
|---|------------|------------|--------------|--------------|--------------|
| CLEAR OPENING | COVER O.D. | FRAME I.D. | FRAME HEIGHT | OVERALL BASE | TOTAL WEIGHT |
| 24" | 25-1/2" | 25-3/4" | 3-1/2" | 32" | 305 LBS. |
| 36" | 38" | 38-1/4" | 6" | 44" | 600 LBS. |
| 36" TWO PIECE | 38-1/8" | 38-5/8" | 6" | 44" | 850 LBS. |
| 2-PC SHALLOW MH COVER | 50 1/2" | 50 3/4" | 4-1/2" | 58" | 1320 LBS. |



SECTION



SECTION



SECTION

3 2 TWO-PIECE SHALLOW MH COVER

| REVISIONS | | | |
|-----------|----------|---------|------------------------------------|
| NO. | DATE | INITIAL | DESCRIPTION |
| 5 | 7/3/19 | GS | UPDATED TITLE BLOCK, FONT AND LOGO |
| 4 | 1/9/03 | CM | REVISED 24" COVER & FRAME I.D. |
| 3 | 7/21/97 | KER | REVISED SHALLOW MANHOLE COVER |
| 2 | 8/5/96 | KER | ADDED N2-PC RECTANGULAR COVER |
| 1 | 10/19/95 | KER | REDRAWN W/CADD ON MYLAR |

| APPROVALS | | |
|-----------|----------|--------------|
| APP'D | DATE | INITIAL |
| ACA | 7/3/19 | DESIGN |
| VJB | 10/15/03 | CONSTRUCTION |
| VJB | 10/28/97 | INSPECTION |
| VJB | 8/7/96 | OPERATIONS |
| VJB | 10/95 | SUBMITTED |

EASTERN MUNICIPAL WATER DISTRICT
STANDARD DRAWING

**MANHOLE COVER AND FRAME
STANDARD & WATERTIGHT MANHOLES**

REFERENCES:
FILE I.D.: \kauai\eng\std dwgs\SB-61.dgn

SCALE: NONE
DRAWN BY: KER

RECOMMENDED *Joseph D. Van Sickle* 10/20/95
DIRECTOR OF ENGINEERING DATE

APPROVED *G. Hooite Ruge* 10/20/95
ASSISTANT GENERAL MANAGER DATE

SB-61

