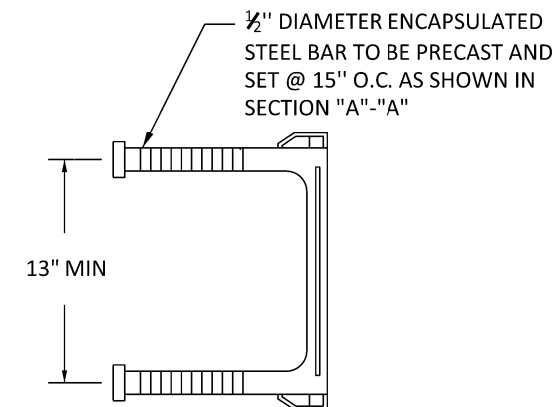
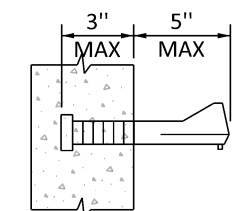


NOTES:

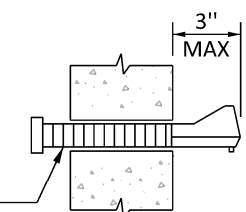
1. REFER TO STANDARD DRAWINGS OF MANHOLES FOR DETAILS PERTAINING TO MANHOLES ONLY.
2. THE TOP ONE-HALF DIAMETER OF THE PIPE IS TO BE BROKEN OUT TO A NEAT LINE. BROKEN EDGES SHALL BE PLASTERED SMOOTH WITH CEMENT MORTAR.
3. THE MAXIMUM NUMBER OF PRIVATE LOWER SEWER SERVICE LATERALS INTO A TERMINUS MANHOLE SHALL BE LIMITED TO SIX.



MANHOLE STEP DETAILS

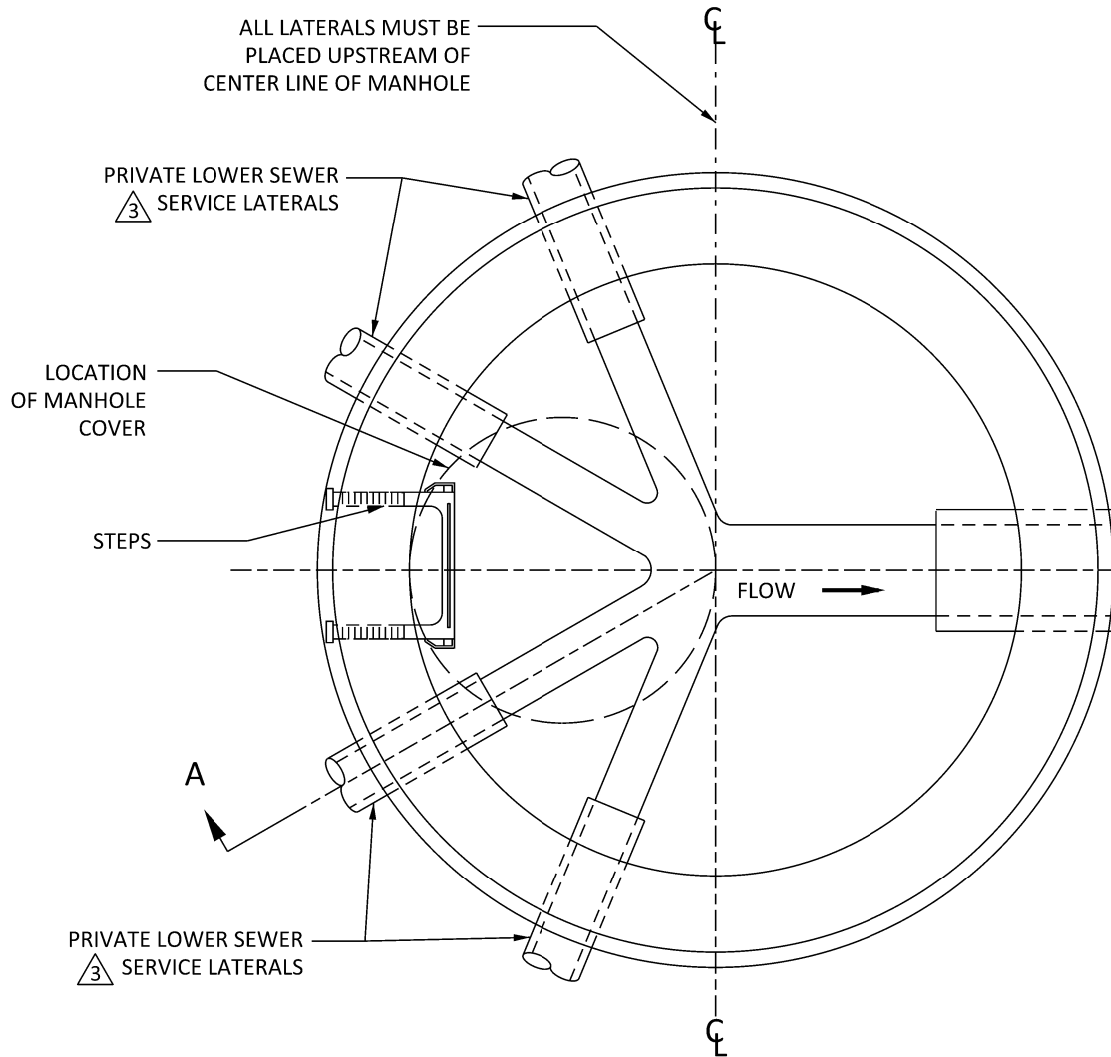


STD. STEP 1

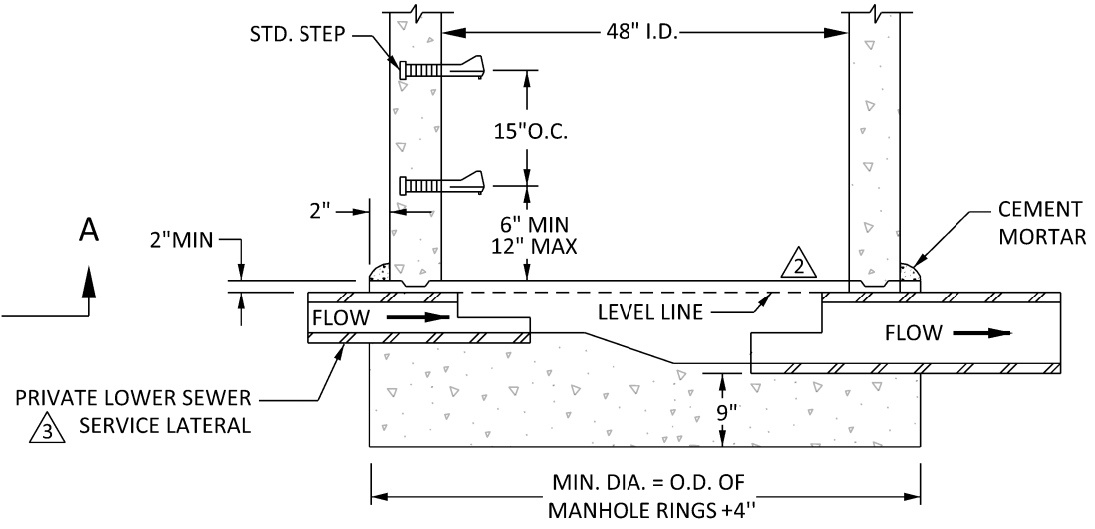


GRADE RING STEP


SANDWICH STEP BETWEEN GRADE RINGS & SEAL WATERTIGHT W/ NON-SHRINK GROUTING



PLAN VIEW
TERMINUS MANHOLE WITH HOUSE LATERALS



SECTION "A"-A"

REVISIONS						APPROVALS			EASTERN MUNICIPAL WATER DISTRICT STANDARD DRAWING		
NO.	DATE	INITIAL	DESCRIPTION	APP'D	DATE		INITIAL	DATE			
3	6/28/19	GS	UPDATED FONT, TITLE BLOCK, ADDED PRIVATE SEWER SERVICE, AND NOTE NUMBER 3	AGG	6/28/19	DESIGN	JUS	3/27/86			
2	9/22/06	RE	REVISED #3 NOTE & LEVEL LINE A-A	JM	9/25/06	CONSTRUCTION	JEW				
1	2/3/99	GR	REDRAWN WITH CADD ON MYLAR	VJB	4/29/99	INSPECTION					
						OPERATIONS	DWH				
						SUBMITTED	LMM	5/13/86	TERMINUS MANHOLE WITH PRIVATE LOWER SEWER SERVICE LATERALS		
REFERENCES:						RECOMMENDED					APPROVED
FILE I.D.: \kauai\eng\std dwgs\SB-58.dgn						SCALE: NONE DRAWN BY: GS			James H. Bunts Jr. 5/15/86 ASSISTANT GENERAL MANAGER DATE		
						DIRECTOR OF ENGINEERING			SB-58		

