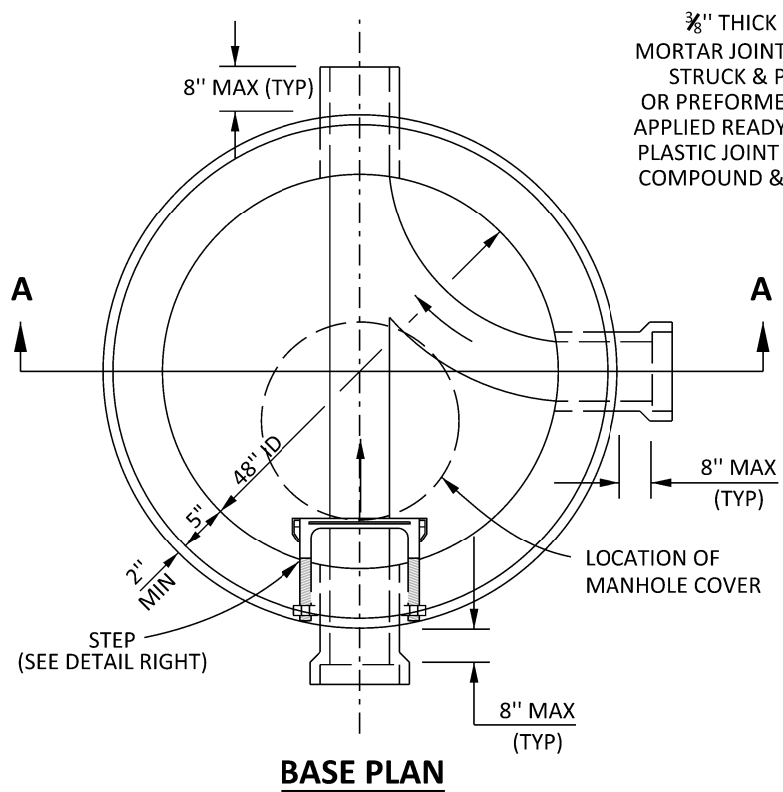
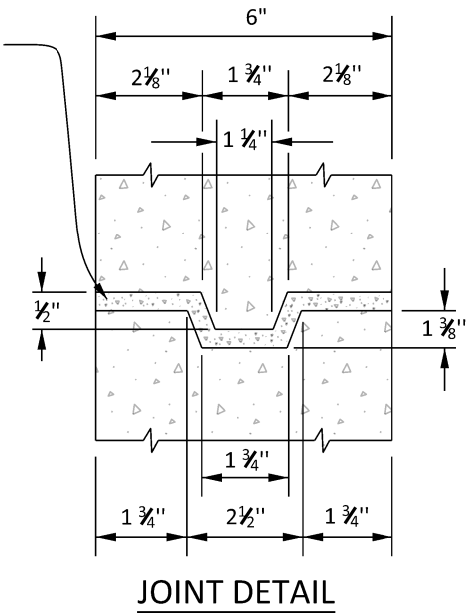


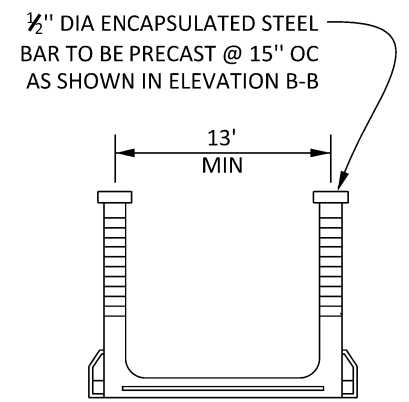
SECTIONAL ELEVATION A-A



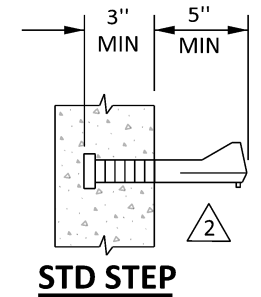
BASE PLAN



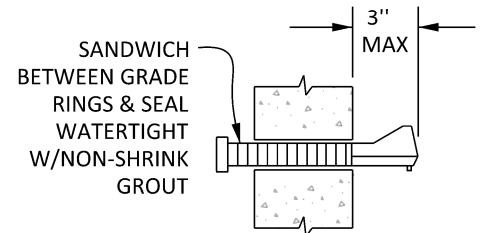
JOINT DETAIL



MANHOLE STEP DETAILS



STD STEP



GRADE RING STEP

NOTES:

- REINFORCED PRECAST CONCRETE MANHOLES SHALL CONFORM TO THE APPLICABLE REQUIREMENTS OF ASTM C-478 AND:
 - SHALL BE DESIGNED FOR AASHO H-20 LOADING.
 - CONCRETE SHALL BE COMPACTLY VIBRATED, CENTRIFUGALLY SPUN, OR MECHANICALLY TAMPED.
- SEWER MAINS ARE TO BE LAID THRU THE MANHOLE WHERE POSSIBLE AND USED AS A FORM FOR THE INVERT. THE TOP 1/2 DIAMETER OF THE PIPE IS TO BE BROKEN OUT TO A NEAT LINE. BROKEN EDGES SHALL BE PLASTERED SMOOTH WITH CEMENT MORTAR.
- CONCRETE BASE SHALL BE OF CLASS "A" CONCRETE AND PLACED IN ONE OPERATION. CONCRETE INVERTS SHALL BE TRUE TO GRADE AND ALIGNMENT AND FINISHED WITH A SMOOTH SURFACE. SPECIAL CARE SHALL BE USED IN FORMING ALL CHANNELS TO FACILITATE THE FLOW OF SEWAGE.
- SHALLOW MANHOLE AS SHOWN HEREON TO BE INSTALLED WHEN DEPTH TO PIPE SHELF IS LESS THAN 5' FROM FINISHED STREET GRADE.
- SEE DRAWING SB-61 FOR DETAILS AND INSTALLATION OF MANHOLECOVER AND FRAME.
- MANHOLE STEPS SHALL BE CAST IN PLACE AND ORIENTED 180° FROM MANHOLE OUTLET. GRADE RING STEPS SHALL BE PLACED BETWEEN GRADE RINGS AND GROUTED IN PLACE. BOTTOM STEP TO BE USED AS CLEANING HOOK AND SHALL BE PLACED 6" MIN AND 12" MAX FROM TOP OF SHELF.

REVISIONS				APPROVALS			
NO.	DATE	INITIAL	DESCRIPTION	APP'D	DATE	INITIAL	DATE
6	7/3/19	GS	UPDATED TITLE BLOCK, FONT, LOGO AND PAGE LAYOUT	AGA	7/3/19	DESIGN	CJS 4/20/72
5	3/5/01	GR	ADDED NEW TITLE BLOCK & FILE ID NO.	VJB	3/27/03	CONSTRUCTION	
4	7/21/97	KER	REVISED SHALLOW MANHOLE	VJB	10/29/97	INSPECTION	
3	12/11/96	KER	REVISED STEP DETAIL AND NOTE 6	VJB	12/11/96	OPERATIONS	
2	11/13/96	KER	REVISED STEP DETAIL AND NOTE 6	VJB	11/14/96	SUBMITTED	LM 4/24/72



EASTERN MUNICIPAL WATER DISTRICT
STANDARD DRAWING
REINFORCED PRECAST SHALLOW MANHOLE

REFERENCES: SCALE: NONE
 FILE I.D.: \kauai\eng\std dwgs\SB-30.dgn DRAWN BY: KER

RECOMMENDED: DIRECTOR OF ENGINEERING DATE
 APPROVED: Doyle J. Boen 4/72 ASSISTANT GENERAL MANAGER DATE
SB-30