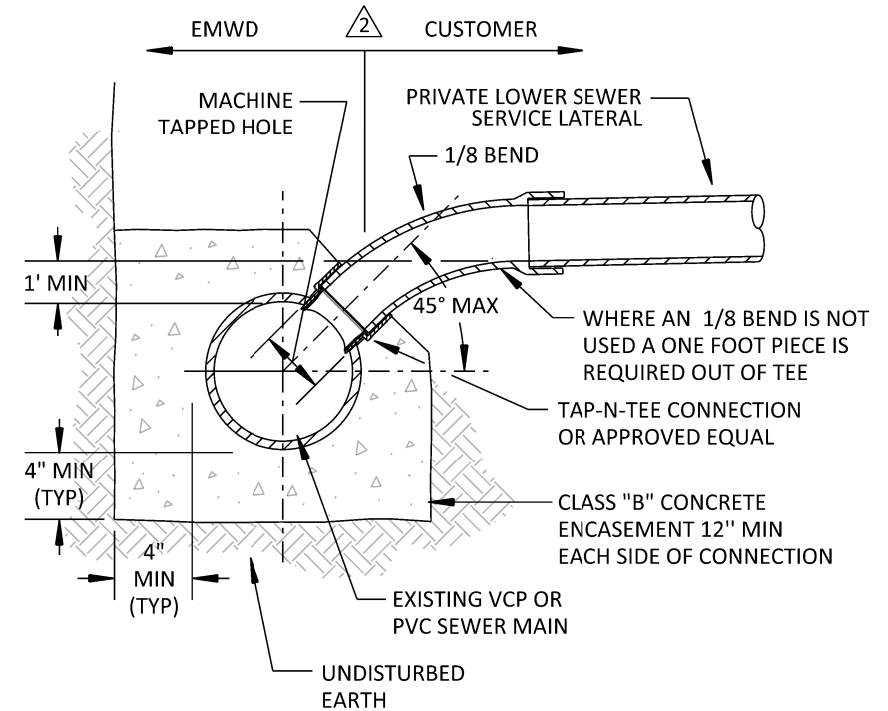
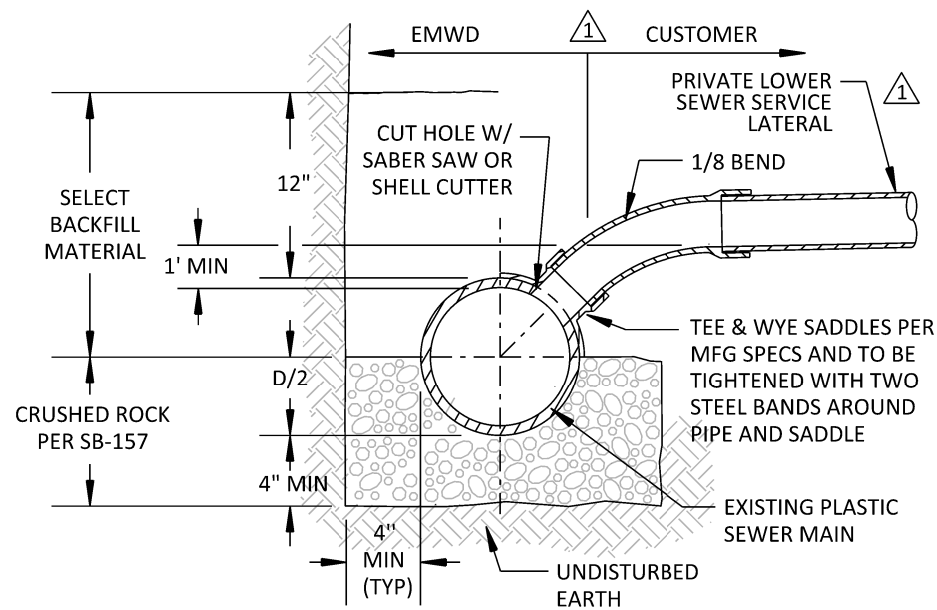


**VCP SADDLE CONNECTION**  
NOT TO SCALE

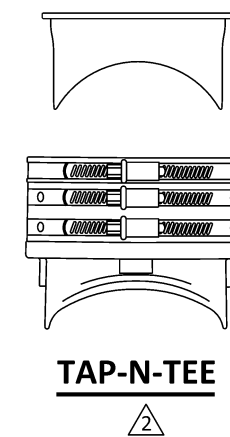


**TAP-N-TEE CONNECTION**  
NOT TO SCALE

**NOTE:** <sup>2</sup>  
TAP-N-TEE NOT APPROVED FOR PVC SDR 35 OR THINNER PIPE. APPROVAL FROM EMWD MUST BE OBTAINED FOR USE ON PVC SDR 35 PIPE.



**PLASTIC PIPE SADDLE CONNECTION**  
NOT TO SCALE



REVISIONS				APPROVALS			
NO.	DATE	INITIAL	DESCRIPTION	APP'D	DATE	INITIAL	DATE
<sup>2</sup>	9/25/20	GS	REDRAWN TO INCLUDE TAP-N-TEE	AGA	9/25/20	JEW	4/24/97
<sup>1</sup>	6/28/19	GS	REVISED FONT, TITLE BLOCK AND ADDED PRIVATE CUSTOMER SERVICE	AGA	6/28/19	VJB	4/23/97



EASTERN MUNICIPAL WATER DISTRICT  
STANDARD DRAWING

PRIVATE LOWER SEWER SERVICE LATERAL  
CONNECTION VCP & PLASTIC PIPE

REFERENCES: SUPERCEDES SA-44 & SA-86

SCALE: NONE

FILE I.D.: \kauai\eng\std dwgs\SB-176.dgn

DRAWN BY: KER

RECOMMENDED

DIRECTOR OF ENGINEERING

DATE

APPROVED Charles J. Bachmann  
ASSISTANT GENERAL MANAGER

4/25/97  
DATE

SB-176

