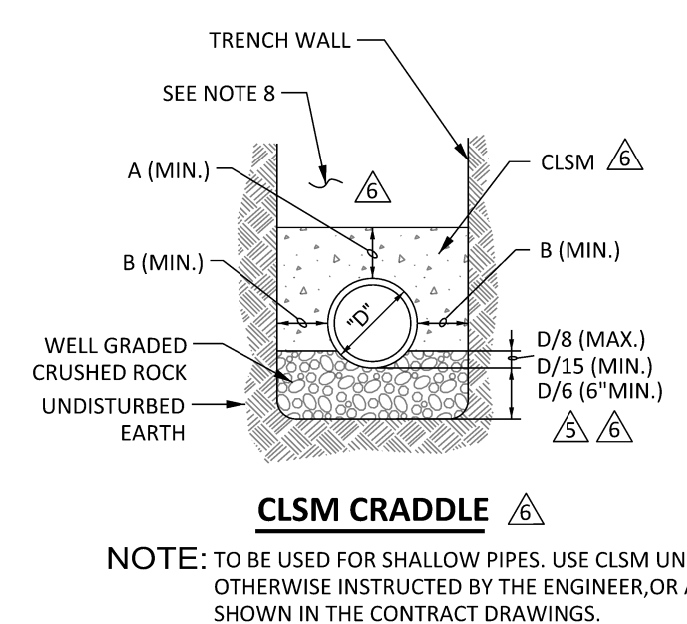
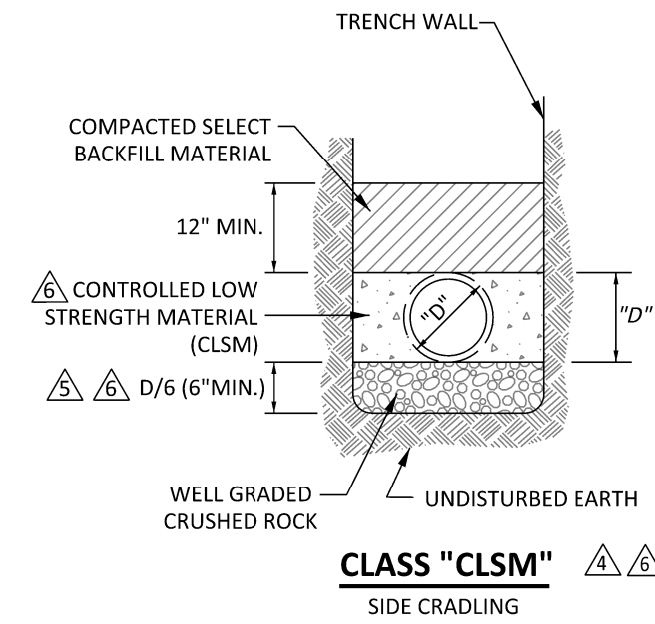


PIPE I.D.	DIMENSIONS	
	"A"	"B"
6"	5"	6"
8"	5"	6"
10"	5"	6"
12"	5"	6"
15"	5"	6"
18"	5"	6"
21"	6"	6"
24"	6"	6"
27"	7"	7"
30"	8"	8"
33"	9"	9"
36"	9"	9"
39"	10"	10"
42"	11"	11"



NOTE: TO BE USED FOR SHALLOW PIPES. USE CLSM UNLESS OTHERWISE INSTRUCTED BY THE ENGINEER, OR AS SHOWN IN THE CONTRACT DRAWINGS.

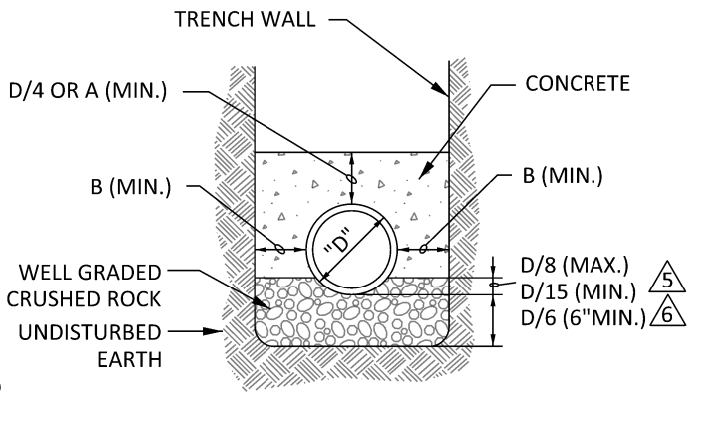
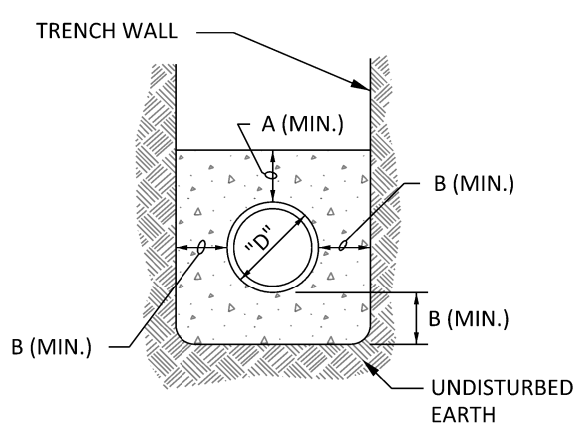
NOTE: REFER TO STD. DWG SB-159 FOR BEDDING CLASSIFICATION

CRUSHED ROCK SIEVE ANALYSIS PER ASTM C33, SIZE NO. 67

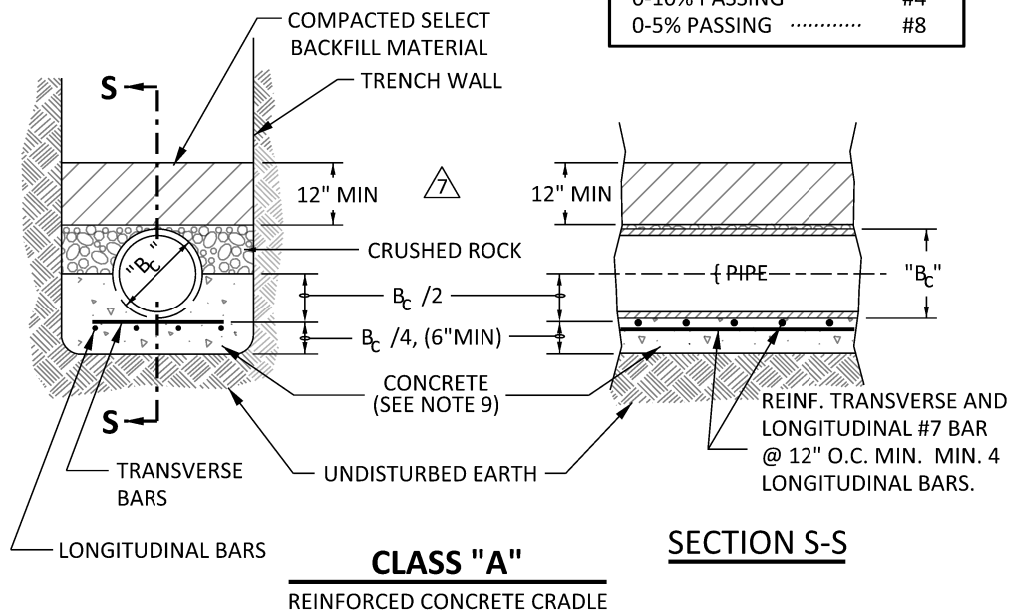
100% PASSING	1"
90-100% PASSING	3/4"
20-55% PASSING	3/8"
0-10% PASSING	#4
0-5% PASSING	#8

NOTES

- CLSM CRADLE AND ARCHES SHALL BE INSTALLED AS REQUIRED BY THE SPECIFICATIONS OR AS DIRECTED BY THE ENGINEER.
- ALL CLSM SHALL BE PER EMWD STANDARD SPECIFICATIONS.
- ALL CRUSHED ROCK SHALL MEET THE REQUIREMENTS OF ASTM C33, SIZE NO. 67.
- TWO APPROVED FLEXIBLE JOINTS SHALL BE USED AT EACH END OF SEWER PIPE ENCASEMENTS PURSUANT TO STD. DWG. SB-63.
- CLSM CAN BE POURED AGAINST TRENCH WALL OR MAY BE FORMED.
- CONSOLIDATING BACKFILL MATERIAL BY WATER FLOODING NOT PERMITTED IN CLAY SOILS.
- ALL COMPACTION ABOVE THE PIPE ZONE, WITHIN A ROAD RIGHT-OF-WAY, TO BE PER THE REGULATORY ROAD AGENCY AND STD. DWG. SB-158
- CONCRETE SHALL BE CLASS "A" 3,000 PSI MIN. WITH POZZOLITH NV 534 ACCELERATING ADMIXTURE OR APPROVED EQUAL. ALLOW 4 HOURS CURE TIME MIN. BEFORE PLACING BACKFILL MATERIAL ON TOP OF CONCRETE.



NOTE: USE CONCRETE ENCASEMENT NO.2 UNLESS OTHERWISE INSTRUCTED BY THE ENGINEER, OR AS SHOWN IN THE CONTRACT DRAWINGS.



REVISIONS				APPROVALS			
NO.	DATE	INITIAL	DESCRIPTION	APP'D	DATE	INITIAL	DATE
7	4/23/2021	GS	UPDATED TITLE BLOCK, FONT, LOGO AND ADDED CLASS D & A	AGA	4/23/2021		
6	4/11/13	GS	REVISE ROCK BEDDING, NOTES AND REMOVED CLASS "A" & "AA"	AGA	4/15/13		
5	6/4/99	KER	REVISE ROCK THICKNESS UNDER PIPE TO 6"	CB	6/4/99		
4	11/4/98	KER	CLARIFY CLASS "A" CONCRETE SIDE CRADLING	VJB	11/4/98		
3	2/19/97	KER	REDRAWN TO INCLUDE ALL PREVIOUS REVISIONS	VJB	7/28/97		

REFERENCES: SUPERCEDES SB-76
SCALE: NONE
FILE I.D.: \kauai\eng\std dwgs\SB-157.dgn
DRAWN BY: KER

emwd EASTERN MUNICIPAL WATER DISTRICT

DESIGN
CONSTRUCTION
INSPECTION
OPERATIONS
SUBMITTED

EASTERN MUNICIPAL WATER DISTRICT
STANDARD DRAWING

PIPE ZONE BEDDING FOR SEWER PIPE

RECOMMENDED *Joseph D. VanSickle* 3/5/93
DIRECTOR OF ENGINEERING DATE

APPROVED *William E. Plummer* 3/8/93
ASSISTANT GENERAL MANAGER DATE

SB-157