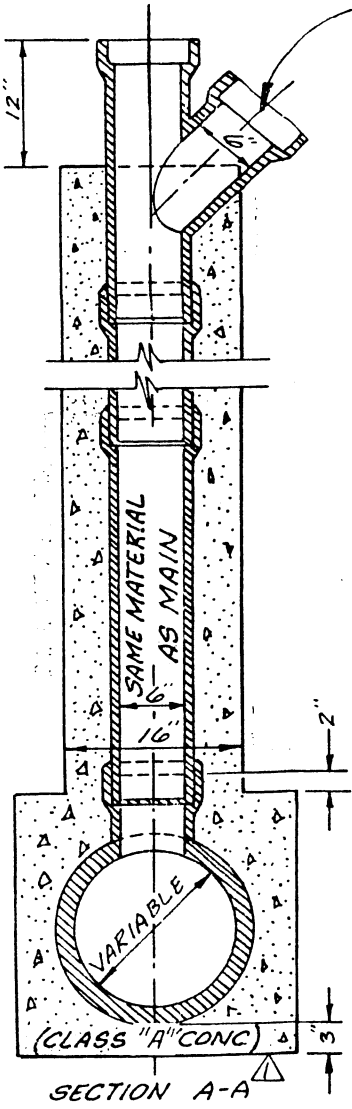


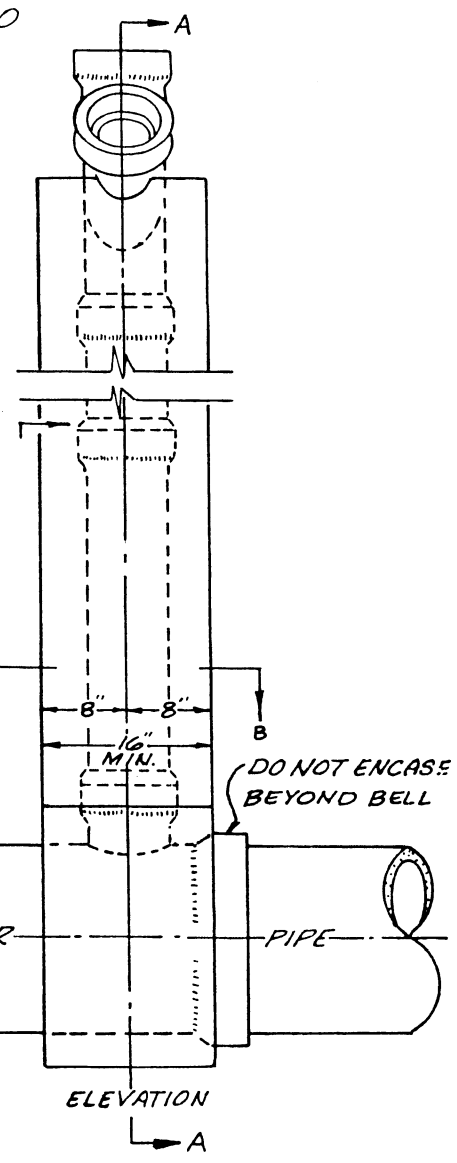
(4" branch if required) SB-50



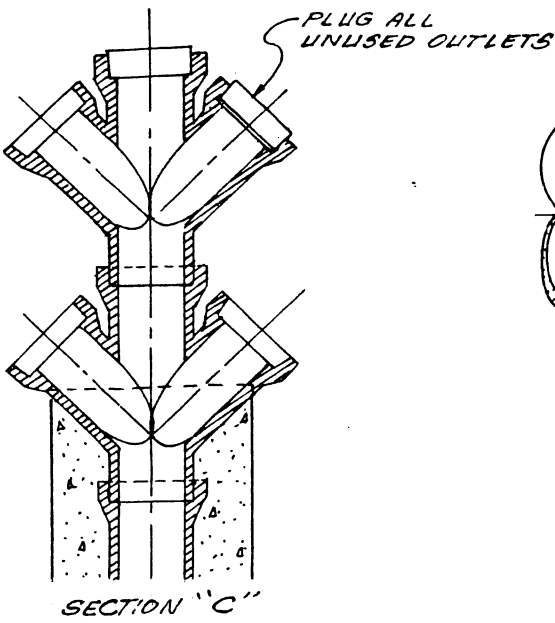
SECTION A-A

NOTES

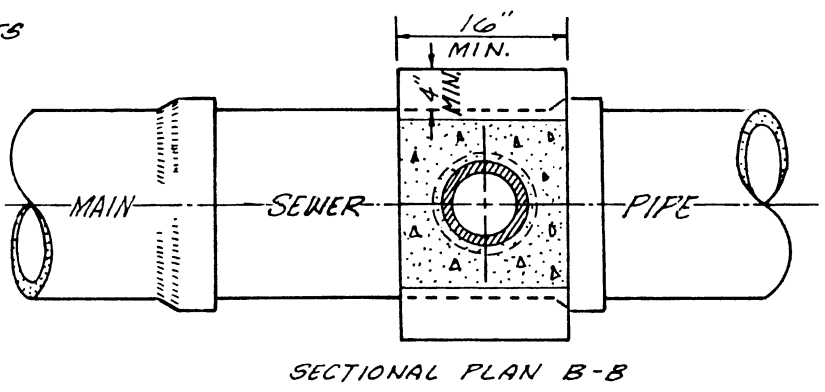
1. The upper end of the chimney pipe shall be 8 feet below the grade of the lower curb, unless otherwise specified.
2. Where one or two house connections are to be joined to the chimney pipe use a single "Y" branch; where three house connections are to be joined use double "Y" branch; where four or more house connections are to be joined use Section "C".
3. Where the chimney pipe is to be used for a single house connection face "Y" towards property to be served; where used for house connections on both sides of the sewer, the "Y" shall face toward the right (looking upgrade) and the house on that side shall be connected to the "Y" branch by a 6-inch one-eighth bend and the house connection on the left side shall be connected to the upper end of the chimney by a 6-inch one-quarter bend unless otherwise specified.
4. The main sewer pipe shall be of the material shown on the plans.



ELEVATION



SECTION "C"



SECTIONAL PLAN B-B

REVISIONS	SCALE	INITIAL	DATE
CHANGED CL. C. TO 1/2 CL. A. CONC. 11/83	DESIGNED		
	DRAWN	G.H.	2/19/83
	CHECKED		
	RECOMMENDED		
	APPROVED		
	DATE		CHIEF ENG.

EASTERN MUNICIPAL WATER DISTRICT
RIVERSIDE COUNTY, CALIFORNIA

SEWER CHIMNEY LATERAL
STANDARD DRAWING

SA-87