

FLOW RATE TABLE ¹

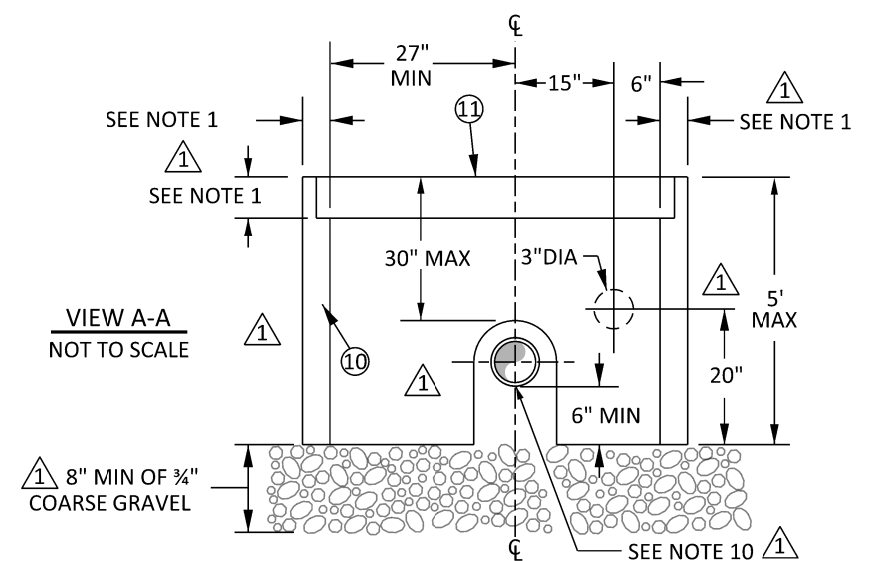
FUTURE METER SIZE	FLOW RATE (GPM)	EMWD STD DWG	LATERAL SIZE	VELOCITY (FT/S)	METER LENGTH
4" OMNI C2	800	PB-1	6"	8.2	20"
4" OMNI T2	1000	PB-1	6"	10.2	23"
4" OMNI C2	800	PB-1	8"	4.7	20"
4" OMNI T2	1000	PB-1	8"	5.9	23"

MATERIALS LIST ¹

ITEM	QTY	DESCRIPTION
①	1	4" METER WITH AMR COMMUNICATION ENCODER*
②	2	6" OR 8" RESILIENT SEAT GATE VALVE FxF
③	1	4" VICTAULIC COUPLING
④	1	4" FLGD VICTAULIC NIPPLE
⑤	1	4" FLG x VICTAULIC NIPPLE (LENGTH VARIES)
⑥	1	4" FLGD SPOOL (LENGTH VARIES)
⑦	1	6"x24" OR 8"x24" FLANGED SPOOL
⑧	1	BLIND FLANGE (IF REQUIRED)
⑨	LF	6" OR 8" PIPE
⑩	1	UTILITY BOX/VAULT ** SEE NOTE 1
⑪	1	TORSION SPRING ASSIST. 2-PC LID : PARKWAY OR TRAFFIC COVER (ALUMINUM). ROADWAY APPLIC. TO MEET AASHTO H-20 DIRECT TRAFFIC RATING (STEEL).
⑫	2	2" COPPER SWxIPM ADAPTER
⑬	1	2" (IP) COUPLING & PLUG.
⑭	1	LADDER NOTE 15.
⑮	15'+/-2"	COPPER TUBING TYPE K. SEE NOTE 12
⑯	2	2"x90 DEG COPPER SWEAT ELBOW
⑰	2	2" COPPER MIPxSWEAT ADAPTER, (CORP STOP W/PVC)
⑱	2	2-1/2"x4" SERVICE SADDLE W/2-1/2"x2" BRASS RED BUSHING, (2" SERVICE CLAMP W/PVC)
⑲	1	2" BRASS CURB STOP
⑳	2	6"x4" or 8"x4" FLANGED REDUCER

NOTES

- ① ** 1. METER DIMENSIONS MAY VARY. CONTRACTOR SHALL VERIFY METER DIMS & SUPPLY UTILITY BOX WITH SPECIFIED CLEARANCE, WALL THICKNESS PER MANUFACTURER SPECIFICATION.
- 2. METER REGISTERS TO BE IN ACRE FEET.
- ① 3. A FLANGED REDUCER SHALL BE INSTALLED AT EACH RSGV TO ACCOMODATE A 4" METER CONNECTION.
- ① 4. METER VAULT SHALL BE PLACED ON A MIN. 8" THICK BEDDING OF 3/4" COARSE GRAVEL.
- 5. READ HOLES ARE TO BE POSITIONED OVER METER REGISTERS AFTER METER IS INSTALLED PER B-976.
- 6. VAULT LIDS TO BE PRIMED & PAINTED EMWD APPROVED PURPLE.
- 7. ALL MATERIALS PER EMWD APPROVED MATERIAL LIST.
- 8. DEPTH OF METER SHALL BE 30" MAX FROM VAULT LID TO TOP OF METER.
- ① 9. IF VAULT IS PLACED IN DIRT/LANDSCAPE, PLACE TOP 4" ABOVE GRADE AND GRADE AWAY FROM VAULT TO PREVENT WATER FROM ENTERING.
- 10. PROVIDE A MINIMUM 4" CLEARANCE BETWEEN PIPE AND KNOCKOUT HOLE WITH A MINIMUM OF 6" CLEARANCE ABOVE THE VAULT FLOOR. METER SUPPORT AS REQUIRED.
- ① 11. FOR INDUSTRIAL AND COMMERCIAL CUSTOMERS, A 2" BYPASS LINE IS REQUIRED.
- ① 12. ALL 2" PIPE AND FITTINGS SHALL:
 - A. BE MADE OF BRASS OR BRONZE; B. BE OF THE BANDED PATTERN; C. BE DESIGNED FOR A MIN OF 175 PSI (COLD) WATER WORKING PRESSURE.
- ① 13. SYSTEMS WITH ONSITE PUMPS SHALL NOT EXCEED 5 FPS VELOCITY WITHIN THE SERVICE LATERAL. SYSTEMS WITHOUT PUMPS, SHALL NOT EXCEED 10 FPS. (SEE FLOW RATE TABLE)
- ① 14. CONTRACTOR SHALL RETURN AFTER ROAD SHOULDER OR PARKWAY IS COMPLETE TO INSTALL METER VAULT, AND SHALL BE RESPONSIBLE FOR COORDINATING WORK OF OTHER CONTRACTORS FOR SAFEGUARDING SERVICES UNTIL METER VAULT IS SET.
- ① 15. INSTALL LADDER PER B-519 OR B-520 FOR VAULT DEPTHS GREATER THAN 5 FT.
- ① 16. WHEN A SMALLER METER IS USED, REDUCED PIPE SIZING SHALL BE 2 1/2 TIMES THE PIPE DIAMETER IN LENGTH AT A MINIMUM FOR BOTH PRE AND POST METER PIPING.



REVISIONS				APPROVALS		
NO.	DATE	INITIAL	DESCRIPTION	APP'D	DATE	DATE
						DESIGN
						CONSTRUCTION
						INSPECTION
						OPERATIONS
						SUBMITTED
①	12/13/16	GS	ADDED FLOW RATE TABLE, 2" BYPASS, UPDATED MATERIAL LIST, NOTES, & REFERENCES	AGA	12/14/16	

EASTERN MUNICIPAL WATER DISTRICT
STANDARD DRAWING

EASTERN MUNICIPAL WATER DISTRICT

4" RECYCLED METER INSTALLATION

REFERENCES: SCALE: NONE
 FILE I.D.: \kauai\eng\std dwgs\PB-14.dgn DRAWN BY: CM

APPROVED *Charlie Bachmann* 5/16/05
 CHIEF ENGINEER DATE

PB-14