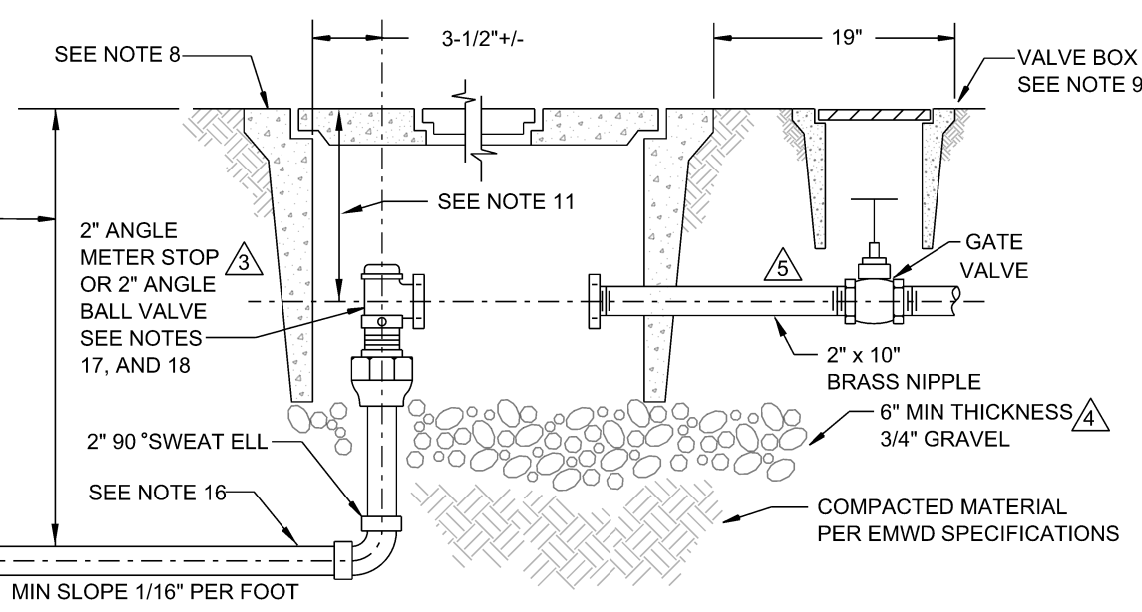


**TYPE "B"**  
AC, DI,  
PVC PIPE



**COPPER TUBE INSTALLATION**

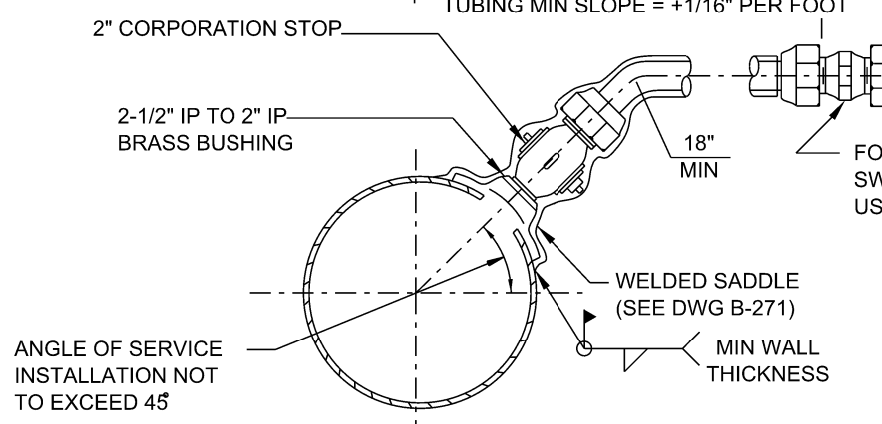
1" IRON PIPE SIZE  
NOT TO SCALE

**FLOW RATE TABLE** <sup>5</sup>

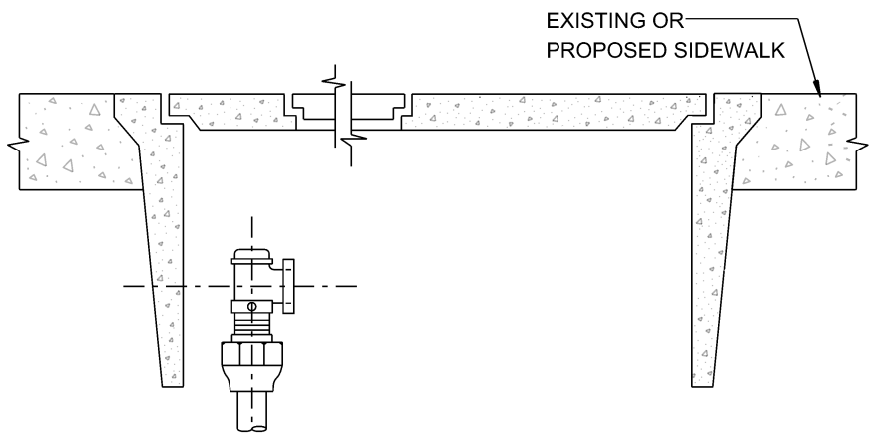
FUTURE METER SIZE	FLOW RATE (GPM)	EMWD STD DWG	VELOCITY (FT/S)	METER LENGTH
5/8" MASTER	15	PB-12	1.6	7 1/2"
3/4" MASTER	20	PB-12	2.13	7 1/2"
1" MASTER	30	PB-12	3.19	10 3/4"
1 1/2" MASTER	75	PB-11	7.98	13"

**PLACEMENT OF METER BOX**

- A. PLACE FRONT EDGE OF METER BOX 1.5' BEHIND EXISTING OR PROPOSED 6' OR 8' SIDEWALKS.
- B. WHEN PROPOSED OR EXISTING SIDEWALK IS 12' WIDE, PLACE FRONT EDGE OF BOX 1.5' BEHIND CURB USING APPROPRIATE BOX.
- C. WHEN NO SIDEWALK IS PROPOSED, PLACE FRONT EDGE BOX 7.5' BEHIND CURB.
- D. WHEN NO CURBS ARE EXISTING OR TO BE INSTALLED UPON COMPLETION OF THE WATER SYSTEM, PLACE BACK EDGE OF METER BOX ON PROPERTY LINE.
- E. MINIMUM 5' SEPARATION BETWEEN SEWER LATERAL AND WATER SERVICE.
- F. WHEN INSTALLED IN CONCRETE (SIDEWALK), USE 30" x 48" METER BOX WITH 2 PIECE LID ASSEMBLY TO INCLUDE CI READING LID.



**TYPE "A"**  
STEEL PIPE



**SIDEWALK INSTALLATION**

**GENERAL NOTES**

1. ALL PIPE AND FITTINGS BETWEEN AND INCLUDING THE CORPORATION STOP AND GATE VALVE SHALL:
  - A. BE MADE OF BRASS OR BRONZE;
  - B. BE OF THE BANDED PATTERN;
  - C. BE DESIGNED FOR A MIN. OF 175 PSI (COLD) WATER WORKING PRESSURE.
2. PRESSURE TEST PER EMWD SPECIFICATIONS.
3. ALL BARE IRON AND STEEL SHALL BE COATED WITH CEMENT MORTAR AS PER THE FIELD ENGINEER.
4. ALTERNATE MATERIALS MAY BE USED UPON APPROVAL BY THE ENGINEER.
5. CORPORATION STOP, FITTINGS, AND SERVICE LINE WITHIN 3 FEET OF SADDLE SHALL BE PRIMED AND WRAPPED WITH APPROVED COAL-TAR RESIN TAPE.
- <sup>5</sup> 6. ALL SERVICE PIPE SHALL BE LAID ON A POSITIVE SLOPE UP FROM THE WATER MAIN TO THE METER, NO DIPS OR POCKETS IN LINE WILL BE PERMITTED; 36" MIN. COVER AT GAS MAIN CROSSINGS.
7. THREAD NOTATION SHOWN THUS:
  - IP = IRON PIPE THREAD;
  - CS = CORPORATION STOP (MUELLER) THREAD;
  - PJ = PACK JOINT
8. METER BOX SHALL BE EMWD APPROVED 17" x 30" COMPLETE WITH COVER, LID, & ONE (1) - 7" EXTENSION WITH KNOCKOUTS AND AMR/AMI ANTENNA PORT (SEE NOTE F FOR SIDEWALK INSTALLATION). LID TO BE PAINTED APPROVED PURPLE.
9. VALVE BOX SHALL BE EMWD APPROVED 8" DIA x 10" DEEP, COMPLETE WITH COVER AND ONE (1) - 6" EXTENSION. LID TO BE PAINTED APPROVED PURPLE.
10. METER PORT HOLES TO BE INSTALLED:
  - A. 11" BELOW TOP OF METER BOX FOR MULTI-JET METER
  - B. 18" BELOW TOP OF METER BOX FOR COMPOUND METER
  - C. 18" BELOW TOP OF METER BOX FOR TURBINE METER
11. CONTRACTOR SHALL RETURN AFTER ROAD SHOULDER PARKWAY GRADING IS COMPLETE TO INSTALL METER BOX, AND SHALL BE RESPONSIBLE FOR COORDINATING WORK OF OTHER CONTRACTORS FOR SAFEGUARDING SERVICES UNTIL METER BOXES ARE SET.
12. INSTALL LOCATOR IDENTIFICATION TAPE (CHRISTY'S PART NO. TA-DT-03-PRW) PER E.M.W.D. SPEC.
13. METER TO BE PAINTED APPROVED PURPLE AND REGISTER TO READ IN ACRE FEET.
14. NO METER SHALL BE INSTALLED UNTIL FINAL INSPECTION AND CROSS CONNECTION SHUT DOWN TESTS HAVE BEEN PERFORMED AND APPROVED BY E.M.W.D.
15. E.M.W.D. TO LOCK-OFF ANGLE METER STOP UNTIL METER IS INSTALLED.
- <sup>3</sup> 16. BURIED COPPER TO BE ENCASED IN 8-MIL PURPLE POLYETHYLENE SLEEVE.
- <sup>3</sup> 17. RECYCLED WATER METER ANGLE STOP / BALL VALVE SHALL BE COATED WITH PURPLE ENAMEL PAINT. ADD "RECYCLED WATER" TAG TO CURB STOPS.
- <sup>3</sup> 18. INSPECTORS SHALL METAL STAMP METER STOP / BALL VALVE WITH "RW".
- <sup>3</sup> 19. CURB SHALL BE INSCRIBED WITH "RW" TO IDENTIFY RECYCLED WATER SERVICE LOCATION.
- <sup>5</sup> 20. SYSTEMS WITH ONSITE PUMPS SHALL NOT EXCEED 5 FPS VELOCITY WITHIN THE SERVICE LATERAL. SYSTEMS WITHOUT PUMPS, SHALL NOT EXCEED 10 FPS.

**REVISIONS**

NO	DATE	INITIAL	DESCRIPTION	APP'D	DATE
<sup>5</sup>	5/29/15	GS	ADDED METER DATA TABLE, NOTE # 6 & 20, AND CS VALVE	AGA	6/9/15
<sup>4</sup>	4/19/13	GS	ADDED GRAVEL BEDDING & REVISED TITLE	AGA	4/22/13
<sup>3</sup>	9/2/08	RE	ADDED NOTES #16 THRU #19 & REVISED TITLE	JM	10/9/08
<sup>2</sup>	6/4/03	CM	ADDED NOTES #14 AND #15	VB	10/15/03
<sup>1</sup>	1/30/95	KER	REVISED NOTES & DWG NO FROM EB-10A	VJB	2/3/95

**APPROVALS**

	INITIAL	DATE
DESIGN		
CONSTRUCTION		
INSPECTION		
OPERATIONS	JCC	7/8/93
SUBMITTED	VJB	7/8/93



EASTERN MUNICIPAL WATER DISTRICT  
STANDARD DRAWING

**2" RECYCLED** <sup>4</sup>  
**SERVICE CONNECTION**

**REFERENCES:**

FILE I.D.: \kawaii\engineering\std\dwgs\PB-10A.dgn

SCALE: NONE

DRAWN BY: GS

RECOMMENDED

Joseph D. VanSickle 7/30/93  
DIRECTOR OF ENGINEERING DATE

APPROVED

G. Hooite Ruggie  
CHIEF ENGINEER

8/2/93  
DATE

PB-10A

<sup>5</sup>