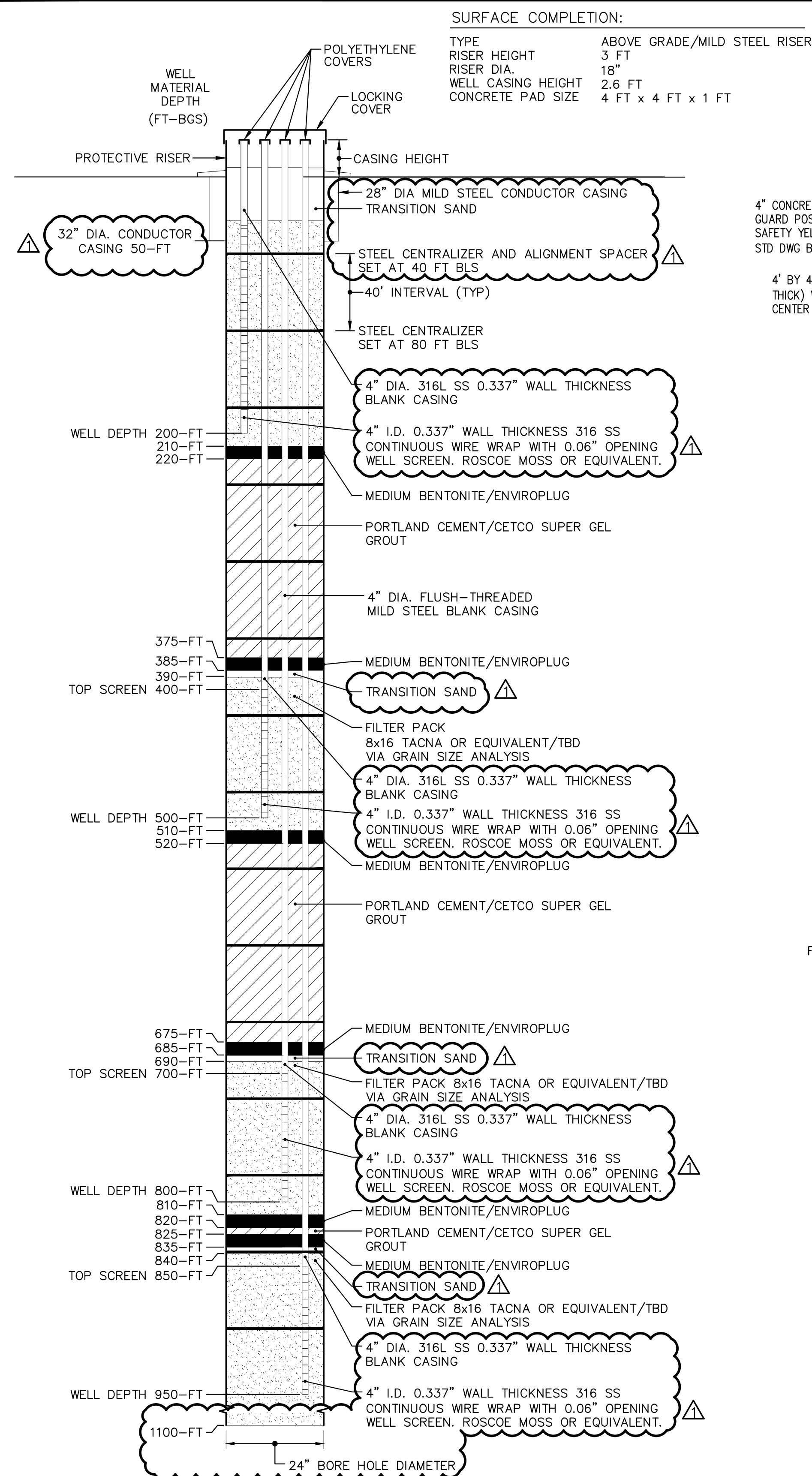
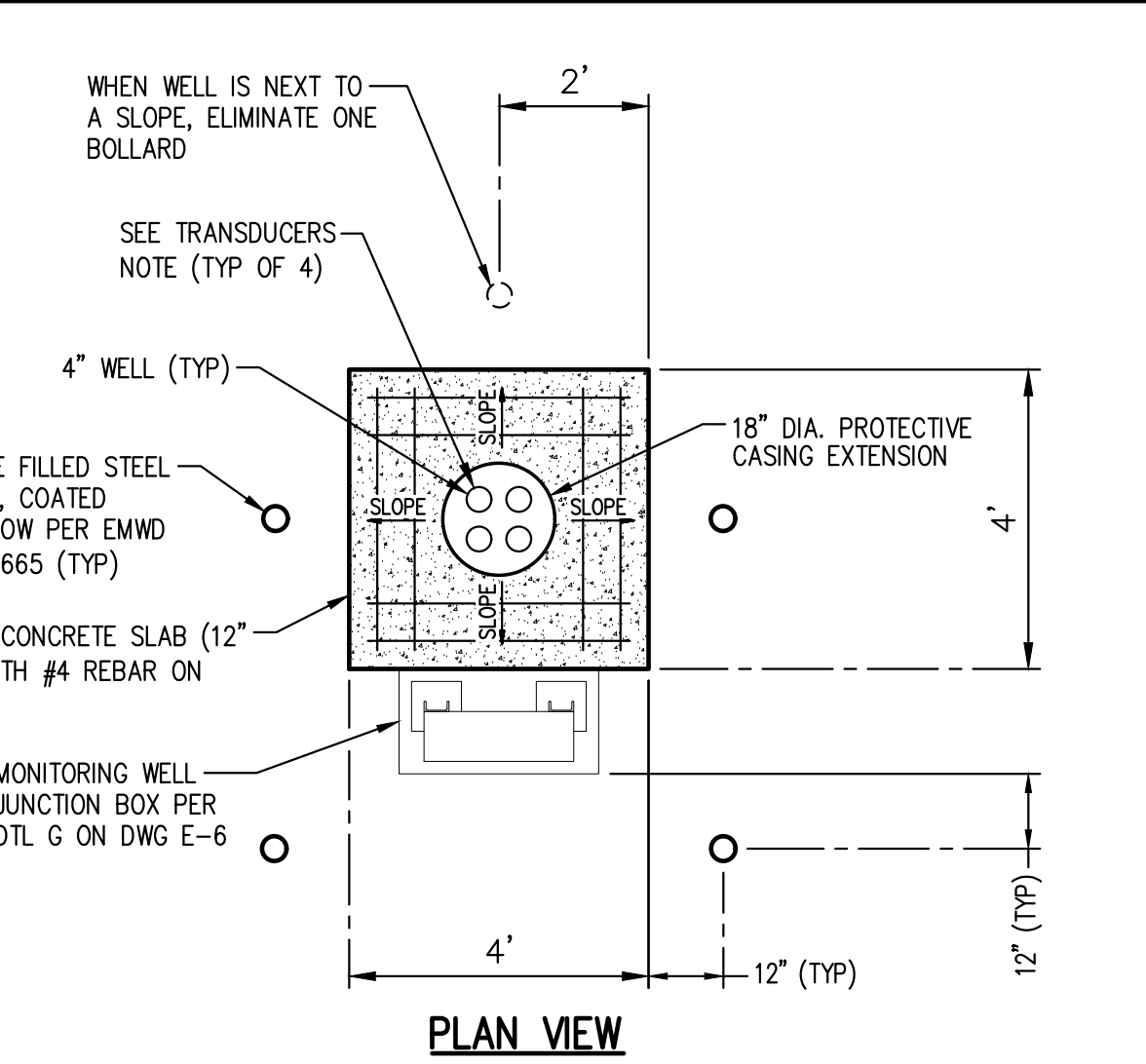


P:\101\_01\_Engineering\Eastern MWD\10434\_SJVERRP - Mt. Ave West\06.Design Data\10434\_10434\_51025 C-22 (Typ Monitoring Well Dtl).dwg 7/15/2019 12:21 PM

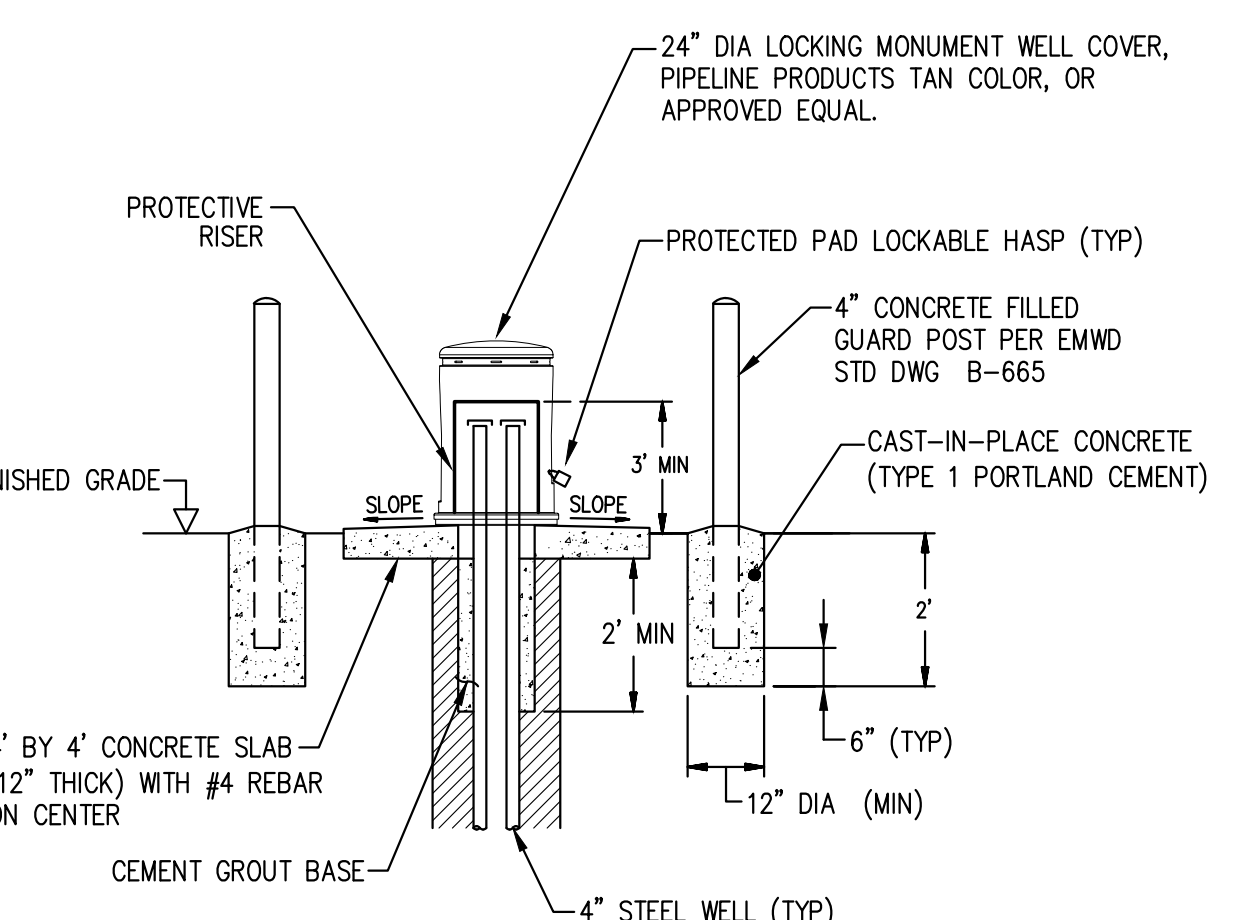


**SURFACE COMPLETION:**

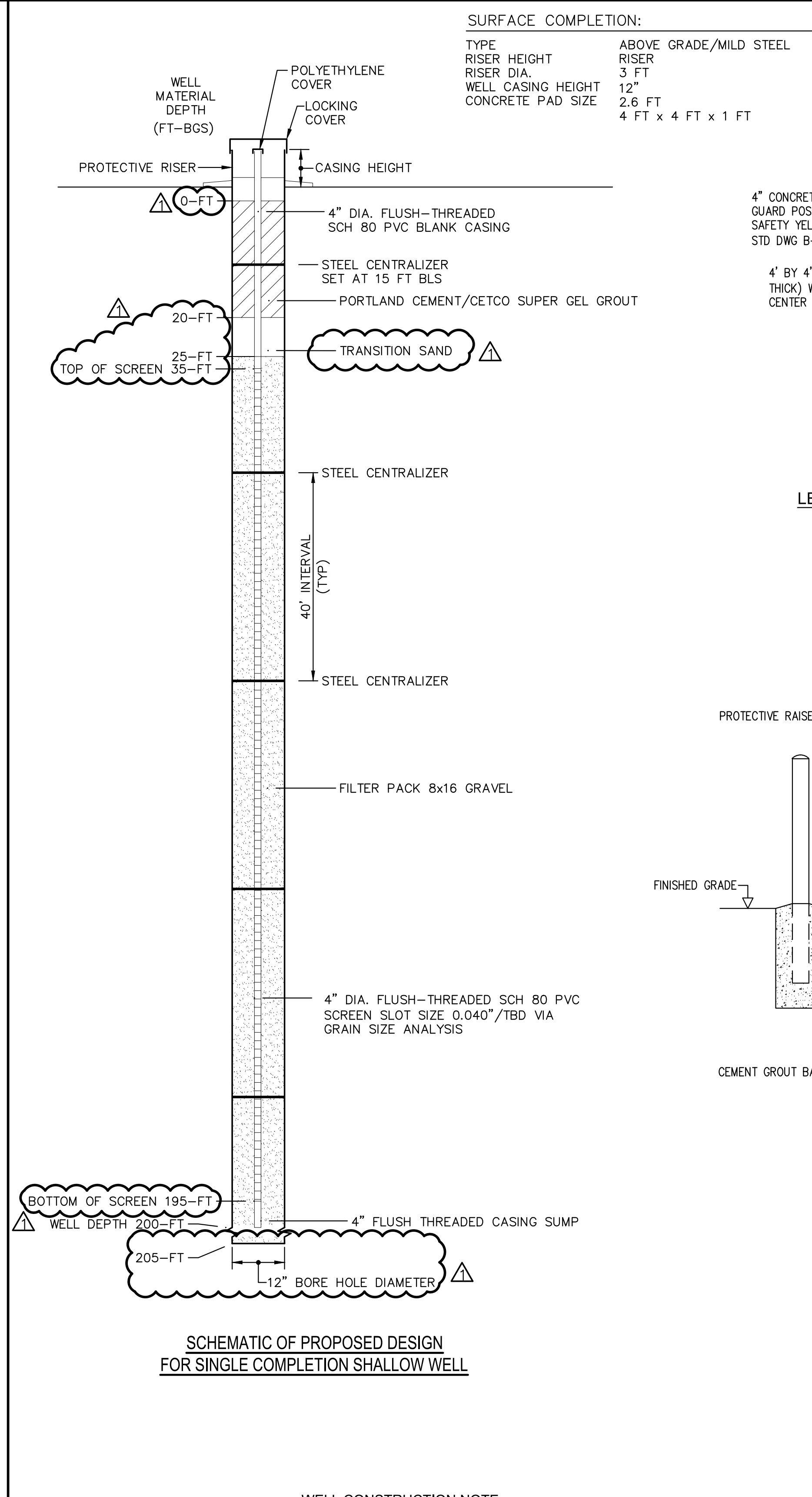
TYPE	ABOVE GRADE/MILD STEEL RISER
RISER HEIGHT	3 FT
RISER DIA.	18"
WELL CASING HEIGHT	2.6 FT
CONCRETE PAD SIZE	4 FT x 4 FT x 1 FT



**LEVEL TRANSDUCER NOTE:**  
EACH 4-INCH DIAMETER CASING (4 TOTAL) SHALL BE EQUIPPED WITH AN IN-SITU LEVEL TROLL 500 SUBMERSIBLE PRESSURE LEVEL TRANSDUCER (PART NUMBER 0089050) WITH A CONTINUOUS UNSPLICED FACTORY CABLE (PART NUMBER 0052000-02-01-01) THAT WILL BE JOINED BY A #16 TSP IN THE ABOVE GRADE MONITORING WELL JUNCTION BOX. THE CONTRACTOR SHALL ASSUME FOR BIDDING PURPOSES THAT IN-SITU LEVEL TROLL 500 SUBMERSIBLE PRESSURE LEVEL TRANSDUCER WILL BE INSTALLED 5-FEET ABOVE THE BOTTOM OF EACH 4-INCH DIAMETER WELL CASING. CONTACT IN-SITU AT (800) 446-7488 FOR MORE INFORMATION.

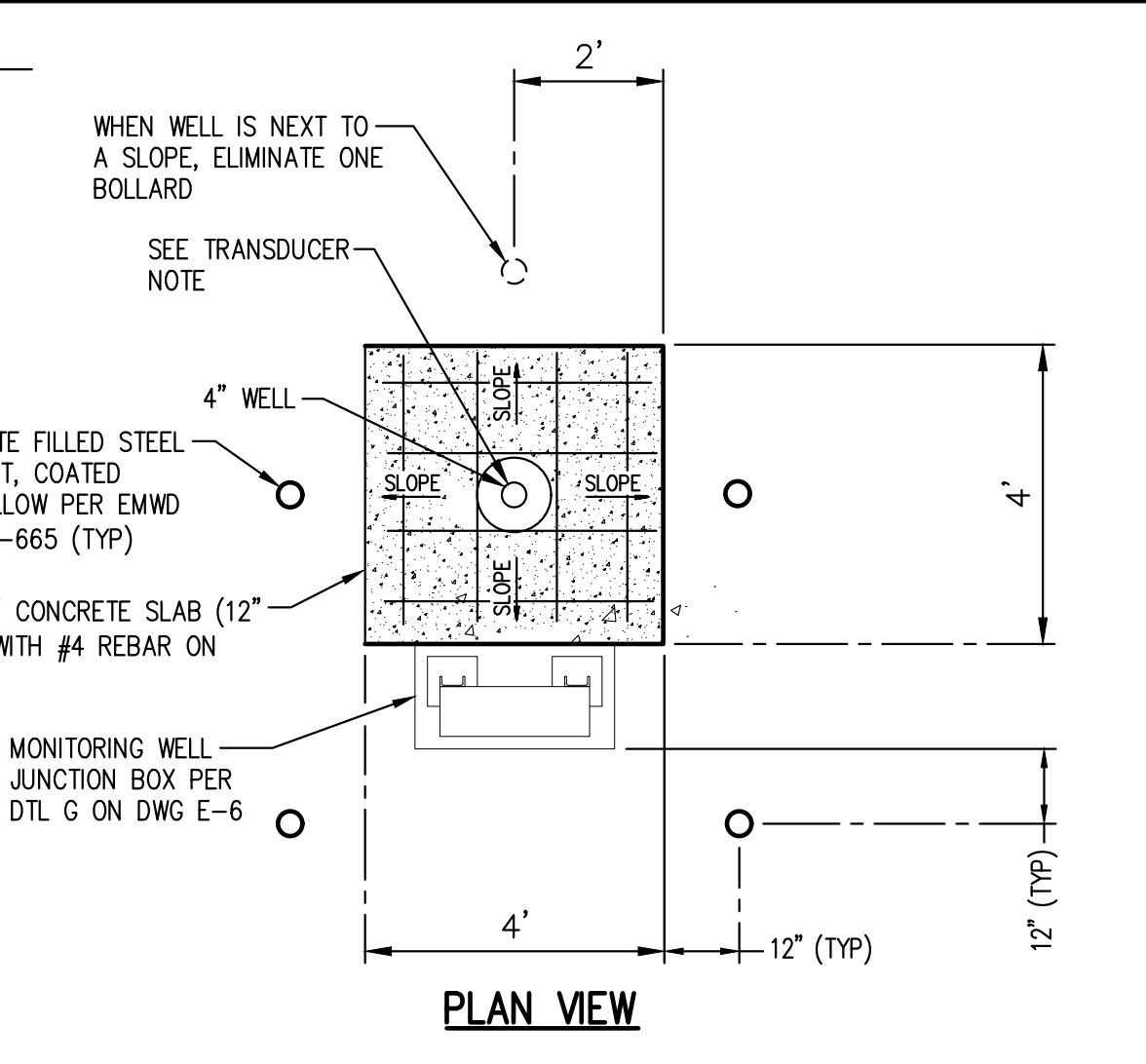


**SECTION**  
**MULTI-PORT, NESTED WELL COMPLETION**

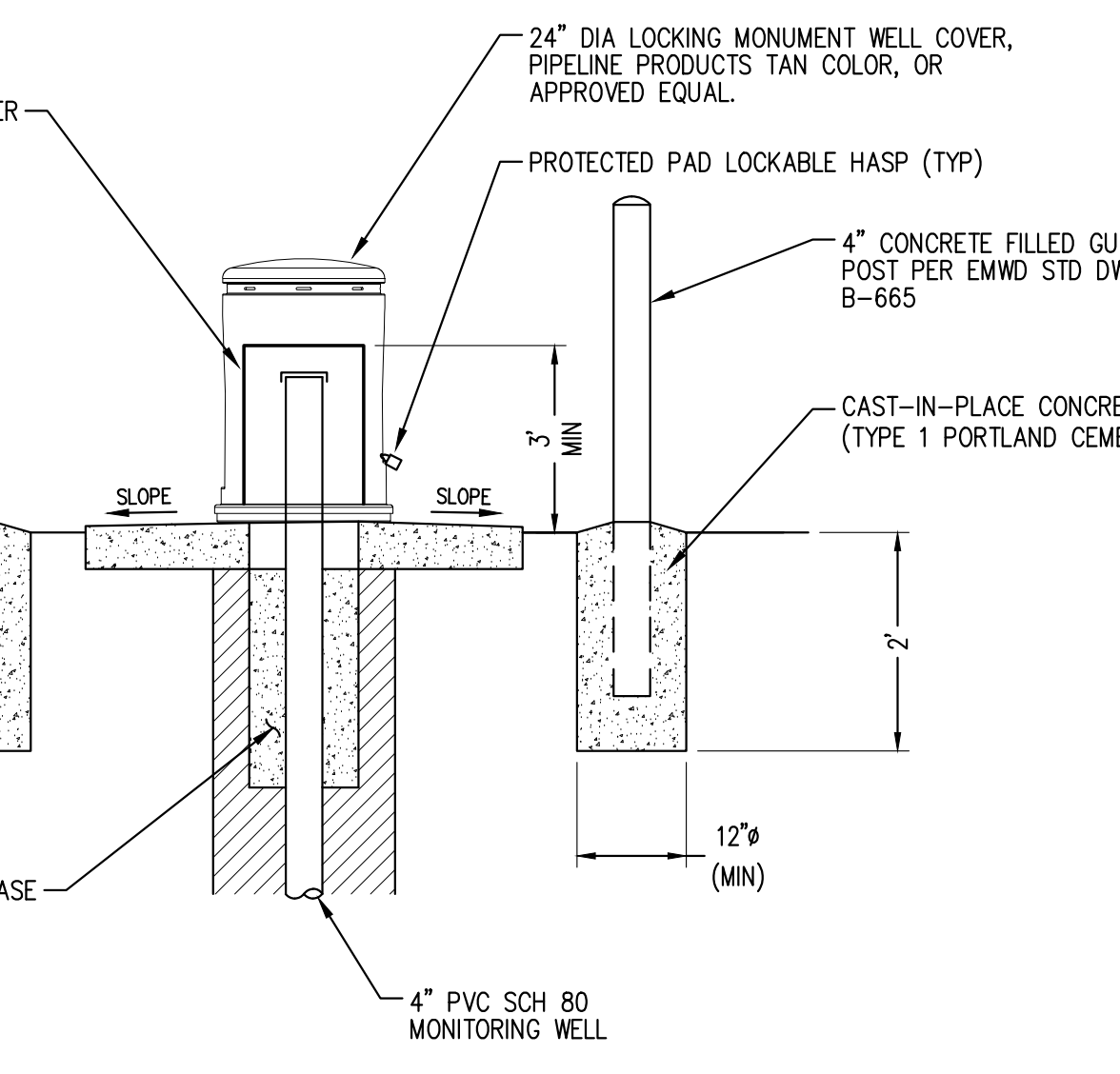


**SURFACE COMPLETION:**

TYPE	ABOVE GRADE/MILD STEEL RISER
RISER HEIGHT	3 FT
RISER DIA.	12"
WELL CASING HEIGHT	2.6 FT
CONCRETE PAD SIZE	4 FT x 4 FT x 1 FT



**LEVEL TRANSDUCER NOTE:**  
THE 4-INCH DIAMETER CASING SHALL BE EQUIPPED WITH AN IN-SITU LEVEL TROLL 500 SUBMERSIBLE PRESSURE LEVEL TRANSDUCER (PART NUMBER 0089050) WITH A CONTINUOUS UNSPLICED FACTORY CABLE (PART NUMBER 0052000-02-01-01) THAT WILL BE JOINED BY A #16 TSP IN THE ABOVE GRADE MONITORING WELL JUNCTION BOX. THE CONTRACTOR SHALL ASSUME FOR BIDDING PURPOSES THAT IN-SITU LEVEL TROLL 500 SUBMERSIBLE PRESSURE LEVEL TRANSDUCER WILL BE INSTALLED 5-FEET ABOVE THE BOTTOM OF THE 4-INCH DIAMETER WELL CASING. CONTACT IN-SITU AT (800) 446-7488 FOR MORE INFORMATION.



**SECTION**  
**SINGLE SHALLOW WELL COMPLETION**

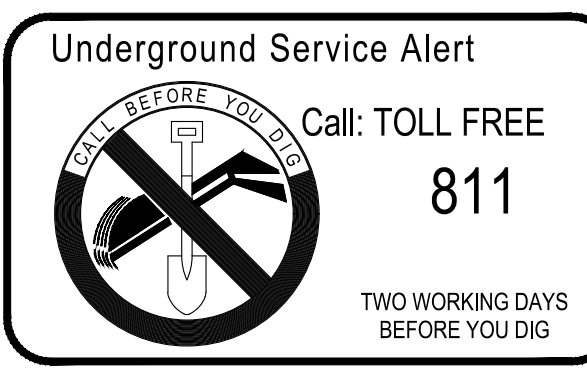
**SCHEMATIC OF PROPOSED DESIGN FOR SINGLE COMPLETION SHALLOW WELL**

**WELL CONSTRUCTION NOTE:**  
FINAL WELL DEPTHS AND MATERIAL PLACEMENT INTERVALS TO BE DETERMINED DURING DRILLING.

**TYPICAL SHALLOW MONITORING WELL DETAIL**  
NOT TO SCALE

LINE IS 2 INCHES AT FULL SIZE  
(IF NOT 2"-SCALE ACCORDINGLY)

**TYPICAL MULTI-PORT MONITORING WELL DETAIL**  
NOT TO SCALE



PLANS PREPARED BY:

**DUDEK**  
3685 Main Street, Suite 250  
Riverside, CA 92501  
951.300.2100 Fax 951.300.2105

NEIL A. HARPER  
R.C.E. No. 63288  
DATE 7/15/19

REVISIONS				
NO.	DATE	INITIALS	DESCRIPTION	APPD/DATE
1	7/12/19	CHG	MONITORING WELL DETAIL REVISION FOR BID ADDENDUM NO. 1	

APPROVED BY:

*Joe Mouawad, P.E.* 6/19  
DIRECTOR OF ENGINEERING DATE

REFERENCES

EASTERN MUNICIPAL WATER DISTRICT

PROJECT MANAGER DATE

*Greg Kowalski, P.E.* 6/19

APPROVALS

PROJECT ENG.	DC	6/19
INSPECTION	BAM	6/19
OPERATIONS	KG	6/19
MAINTENANCE	AH	6/19

EASTERN MUNICIPAL WATER DISTRICT  
RIVERSIDE COUNTY, CALIFORNIA

MOUNTAIN AVENUE WEST REPLENISHMENT BASIN

**TYPICAL MONITORING WELL DETAILS**

DESIGNED: NH 6/19  
DRAWN: CS 6/19  
CHECKED: CG/NH 6/19  
SUBMITTED: CG/NH 6/19

SCALE: AS SHOWN

I.D. 24  
S.A. 42  
W.O. 414938  
C.O.  
COORD. 40A-28  
SHT. 25 OF 70  
DWG. **D-57020**  
C-22

3/6/24