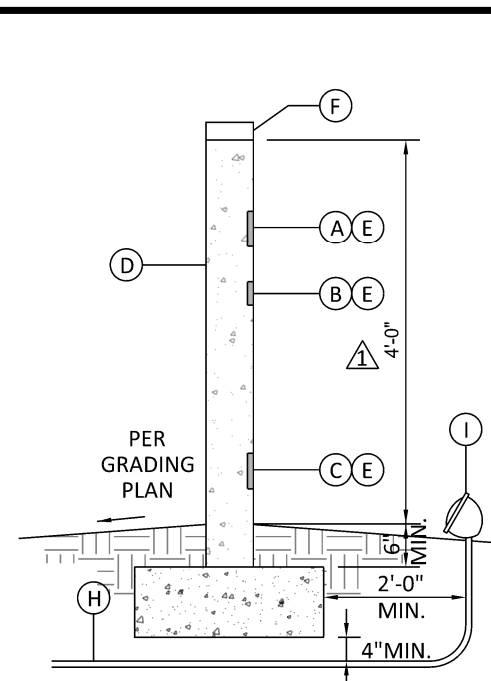
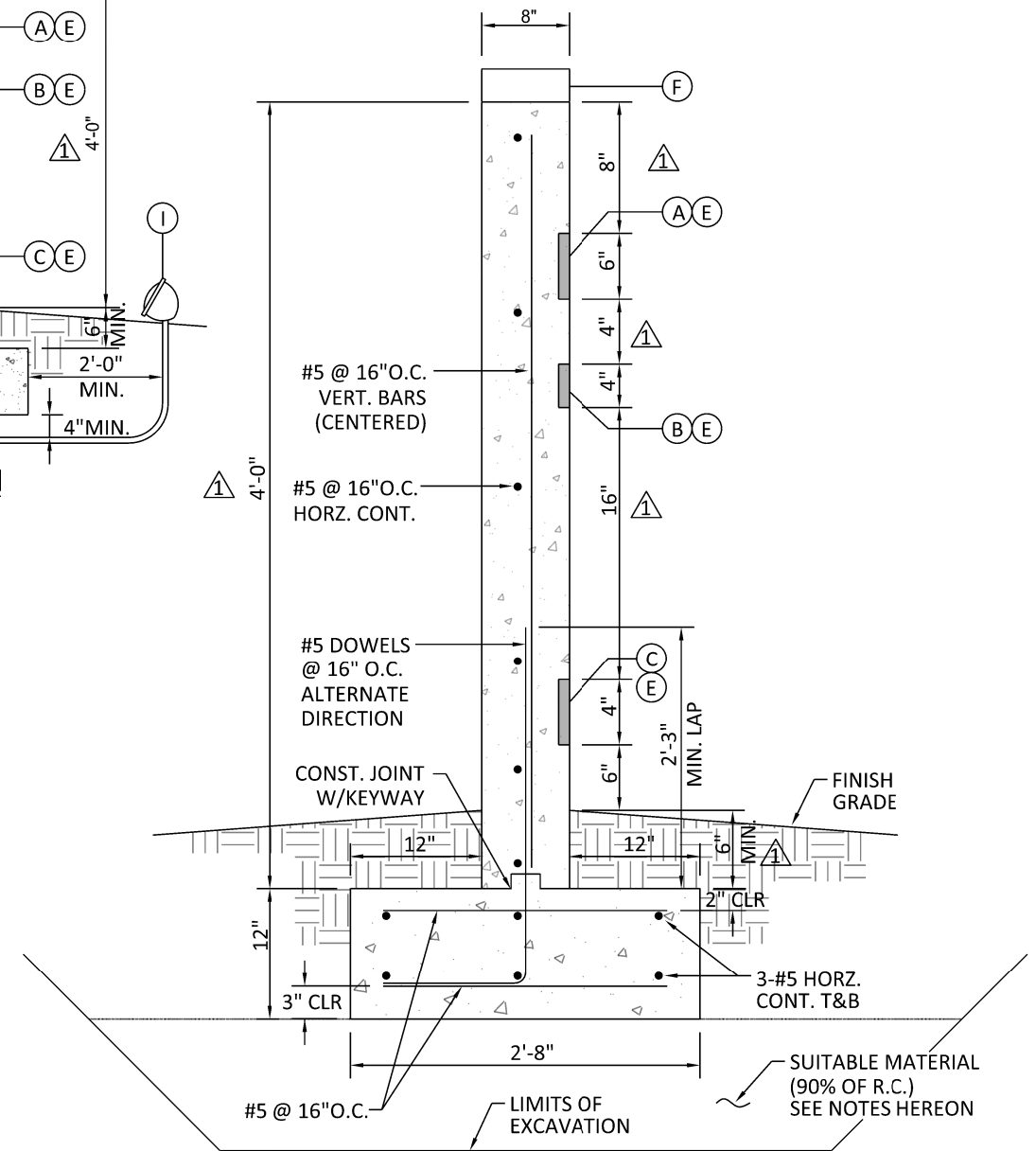


ELEVATION



SECTION




DETAIL

GENERAL NOTES:

- EMBOSSED LETTERING SHALL BE CENTERED HORIZONTALLY. LONGER FACILITY NAMES MAY CONTINUE ON A SECOND LINE (3" SPACING BETWEEN) UPON DISTRICT APPROVAL.
- CONTRACTOR TO SUBMIT A LETTERING LAYOUT TO THE DISTRICT PRIOR TO CONSTRUCTION.
- DIMENSIONS CONTINGENT UPON A GENERAL ARRANGEMENT DRAWING INCLUDING A FINAL LETTERING LAYOUT AS APPROVED BY THE DISTRICT.
- THE FONT SHALL BE "COPPERPLATE GOTHIC BOLD" OR ALTERNATE AS APPROVED BY EMWD.
- REFER TO CONTRACT SPECIAL CONDITIONS FOR ADDITIONAL REQUIREMENTS, IF APPLICABLE.
- REFER TO EMWD'S SPECIFICATIONS FOR MATERIALS REQUIREMENTS AS FOLLOWS:
SECTION 03150FORMWORK
SECTION 03200REINFORCING
SECTION 03300CAST-IN-PLACE CONCRETE
- CONCRETE MIX DESIGN USED FOR THE MONUMENT SIGN SHALL ACCOUNT FOR CONSTRUCTABILITY ASPECTS RELATED TO THE CONCRETE FINISH AND PLACEMENT OF LETTERS. SUBMIT MIX DESIGN TO THE DISTRICT FOR APPROVAL.
ALL EXPOSED SURFACES TO RECEIVE COMPLETE ANTI-GRAFFITI COATING SYSTEM PER DIVISION 9 COATING SPECIFICATION.
CONCRETE TO BE PATCHED AND SACKED PER EMWD SPECIFICATIONS PRIOR TO APPLICATION OF ANTI-GRAFFITI COATING.
- OVER-EXCAVATE & RE-COMPACT SUITABLE MATERIAL TO 90% OF RELATIVE COMPACTION TO A DEPTH OF 12" BELOW THE PROPOSED FOOTING BASE GRADE U.N.O. IN THE FIELD BY THE GEOTECHNICAL ENGINEER.
- IF MONUMENT SIGN IS TO BE USED AS A RETAINING WALL, CONTRACTOR SHALL SUBMIT A STRUCTURAL DESIGN STAMPED BY A REGISTERED ENGINEER LICENSED IN THE STATE OF CALIFORNIA.
CONTRACTOR SHALL COORDINATE LIGHTING CONDUIT LOCATIONS WITH DISTRICT.
- TRENCH BELOW FOOTING FOR LIGHTING CONDUIT SHALL BE FILLED WITH CONCRETE OR 3-SACK SLURRY PER SECTION 16050 BEFORE POURING FOOTING. CONCRETE FILL SHALL BE SAME WIDTH AS FOOTING AND FULL WIDTH OF PIPE TRENCH.

MONUMENT SIGN NOTES:

- (A) FACILITY NAME EMBOSSED LETTERING 6" IN HEIGHT, NAME AND SPELLING TO BE APPROVED BY EMWD
- (B) DISTRICT NAME EMBOSSED LETTERING 4" IN HEIGHT
- (C) ADDRESS STREET NUMBER ONLY; TO BE CONFIRMED DURING DESIGN BY LOCAL JURISDICTION. ADDRESS EMBOSSED LETTERING 4" IN HEIGHT
- (D) 8" THICK REINFORCED CONCRETE (3,000 PSI) MONUMENT SIGN WALL PER DETAIL HEREON
- (E) EMBOSSED LETTERING DEPTH SHALL BE 1" MIN, 2" MAX.
- (F) DOUBLE SPIT CAP TO MATCH EXISTING OR PROPOSED WALL, OR IF NONE AS APPROVED BY THE DISTRICT
- (G) SMOOTH FINISH, TYP.
- (H) 1" LIGHTING CONDUIT (COORDINATE LOCATION WITH DISTRICT)
- (I) TWO GROUND MOUNTED LIGHTS WITH JUNCTION BOX

| REVISIONS | | | | APPROVALS | | |  | EASTERN MUNICIPAL WATER DISTRICT STANDARD DRAWING | |
|---|--------|---------|-------------------------------------|--------------|---------|---|---|--|------|
| NO. | DATE | INITIAL | DESCRIPTION | APP'D | DATE | DESIGN | | INITIAL | DATE |
| | | | | | | CONSTRUCTION | <i>MJ</i> | 11/12/14 | |
| | | | | | | INSPECTION | <i>CD</i> | 11/10/14 | |
| | | | | | | OPERATIONS | | | |
| | | | | | | SUBMITTED | | | |
| 2 | 5/3/19 | GS | UPDATED TITLE BLOCK, FONT, AND LOGO | <i>AGA</i> | 5/3/19 | | | | |
| 1 | 3/6/15 | GS | REVISED DEMENTIONS AND NOTE C | <i>AGA</i> | 5/15/15 | | | | |
| REFERENCES: | | | | SCALE: NONE | | RECOMMENDED | | | |
| FILE I.D.: \kawaii\eng\std dwgs\B-987.dgn | | | | DRAWN BY: GS | | <i>Joe Mouawad</i> DIRECTOR OF ENGINEERING | | 11/13/14 DATE | |
| | | | | | | APPROVED <i>Charlie Bachmann</i> ASSISTANT GENERAL MANAGER | | 11/13/14 DATE | |
| | | | | | | | | B-987 | |