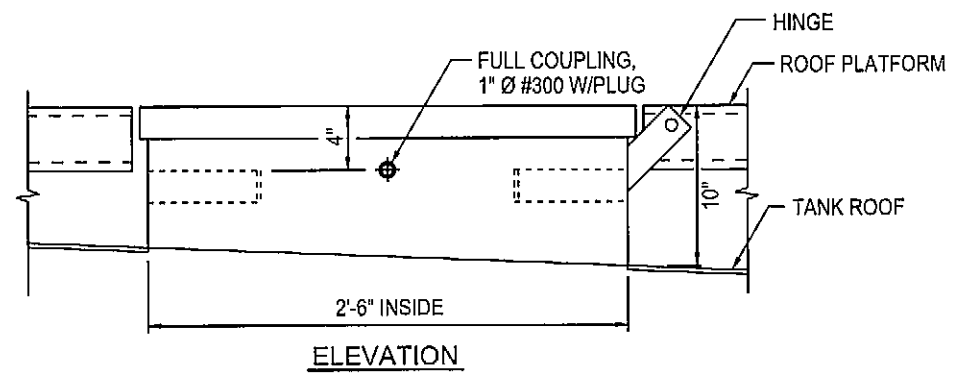
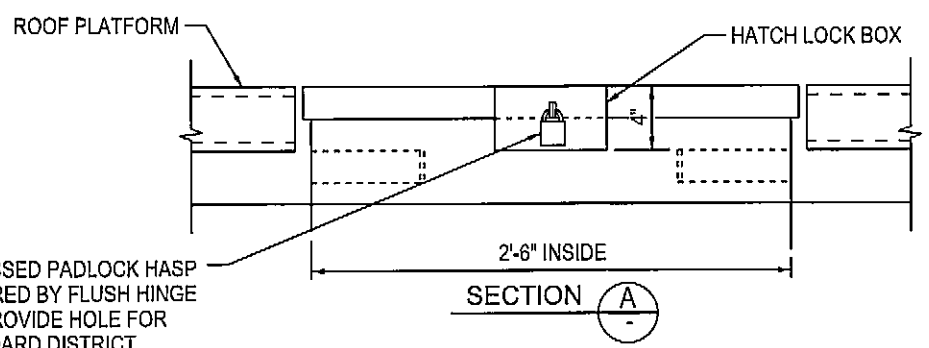
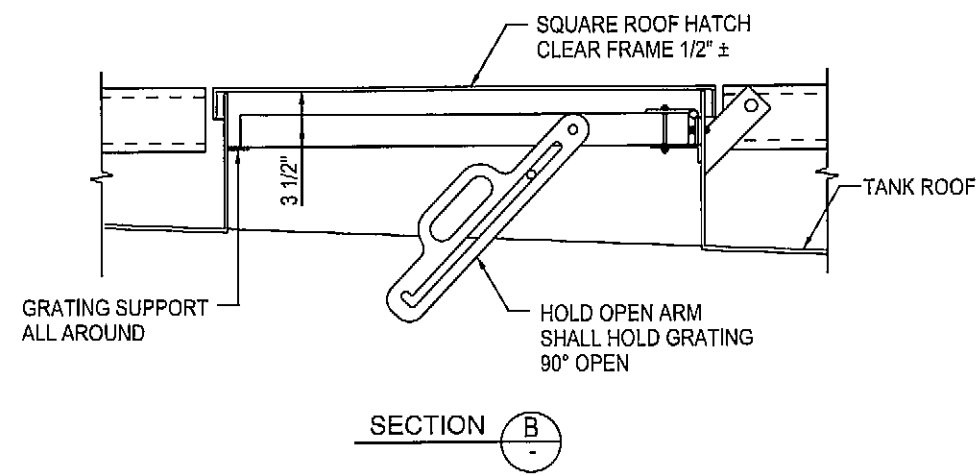


- GENERAL NOTES:**
1. ROOF HATCH TO BE COATED THE SAME AS TANK.
 2. ROOF HATCH LID TO BE LEVEL AND LAY FLAT ON PLATFORM GRATING.
 3. ALL ROOF HATCH AND FALL PROTECTION GRATING HARDWARE SHALL BE 316 STAINLESS STEEL.



ROOF HATCH FALL PROTECTION GRATING - PLAN



SQUARE ROOF HATCH

REVISIONS					
NO.	DATE	INITIAL	DESCRIPTION	APP'D	DATE

APPROVALS		
	INITIAL	DATE
NEW BUSINESS	AGA	8/16/12
MAINTENANCE	<i>mm</i>	8/29/12
INSPECTION	CB	8/29/12
OPERATIONS	<i>kg</i>	8/29/12
SUBMITTED	<i>g/k</i>	8.14.12



EASTERN MUNICIPAL WATER DISTRICT
STANDARD DRAWING

STEEL TANK ROOF HATCH

REFERENCES:
FILE I.D.: \kauri\englstdwgs\B-966.dgn

SCALE: NONE
DRAWN BY SL

RECOMMENDED *John Howard* 8-15-12
DIRECTOR OF ENGINEERING DATE

APPROVED *CPaul* 8/29/12
ASSISTANT GENERAL MANAGER OF ENGINEERING DATE

B-984