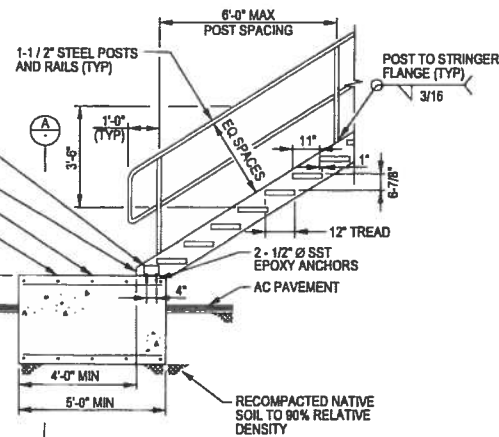
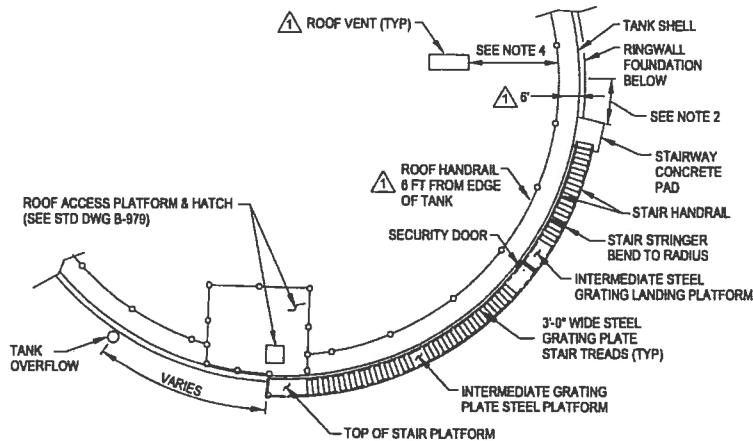


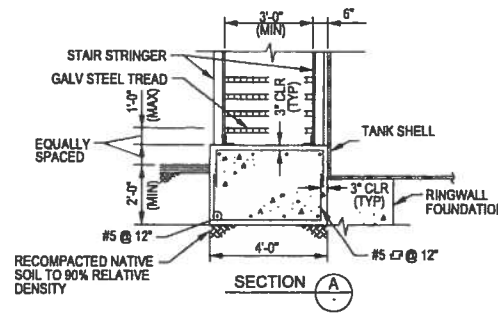
STAIR ELEVATION



ELEVATION



EXTERIOR STAIR PLAN



STAIRWAY HANDRAIL AND CONCRETE PAD

STAIRWAY DESIGN LOADS

STAIR TREAD = 100 PSF
 STAIR LANDING = 125 PSF
 HANDRAILING = ASCE 7-10

SCHEDULE OF MATERIALS

HANDRAIL	STEEL, PAINTED TO MATCH TANK EXTERIOR
GRATING (STAIR TREADS AND PLATFORM)	STEEL, PAINTED TO MATCH TANK EXTERIOR
SECURITY DOOR	STEEL, PAINTED TO MATCH TANK EXTERIOR
STAIR STRINGERS	STEEL, PAINTED TO MATCH TANK EXTERIOR

NOTES:

1. STAIR TREAD TO HAVE RISE AND RUN PER OSHA REQUIREMENTS. HEIGHT OF CONCRETE LANDING PAD ABOVE GROUND TO BE EQUAL TO STAIR RISE.
2. BOTTOM OF STAIRWAY SHALL BE AT LEAST 4'-0" CLEAR OF OBSTRUCTIONS FOR APPROPRIATE ACCESS.
3. KEEP TOP AND SIDES OF HANDRAIL CLEAR. ONLY HANDRAIL AT LANDINGS AND PLATFORM TO HAVE KICK PLATE.
4. PROVIDE SUFFICIENT CLEARANCE BETWEEN THE HANDRAIL AND ROOF VENTS.

REVISIONS				APPROVALS				EASTERN MUNICIPAL WATER DISTRICT STANDARD DRAWING	
NO.	DATE	INITIAL	DESCRIPTION	APP'D	DATE	INITIAL	DATE		
1	12/17/12	SL	REVISED ROOF HADRAIL AND ROOF VENT	<i>[Signature]</i>	12.18.12	aga	8/16/12	TYPICAL STEEL TANK CIRCUMFERENTIAL STAIRWAY (VARIES PER TANK SIZE AND HEIGHT) SHEET 1 OF 2	
REFERENCES:				SCALE: NONE		RECOMMENDED: <i>Joe Mouawad</i> 8/15/12		APPROVED: <i>Charlie J. Bachmann</i> 8/29/12	
FILE I.D.: \\vaualheng\stdwgs\B-866.dgn				DRAWN BY: SL		DIRECTOR OF ENGINEERING DATE		ASSISTANT GENERAL MANAGER OF ENGINEERING DATE	

