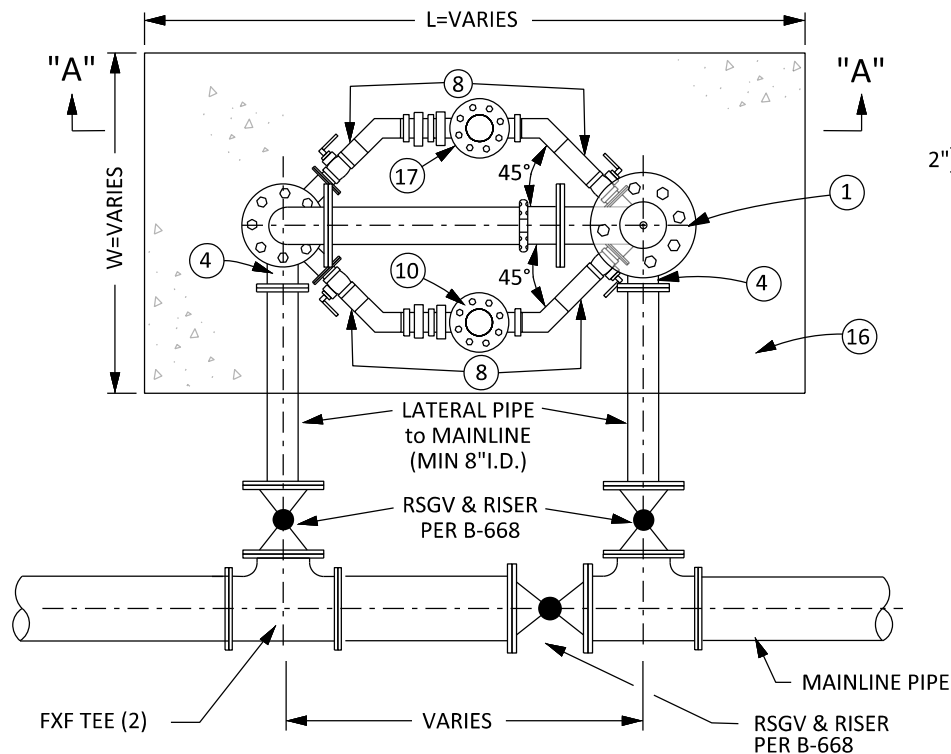


SECTION "A"



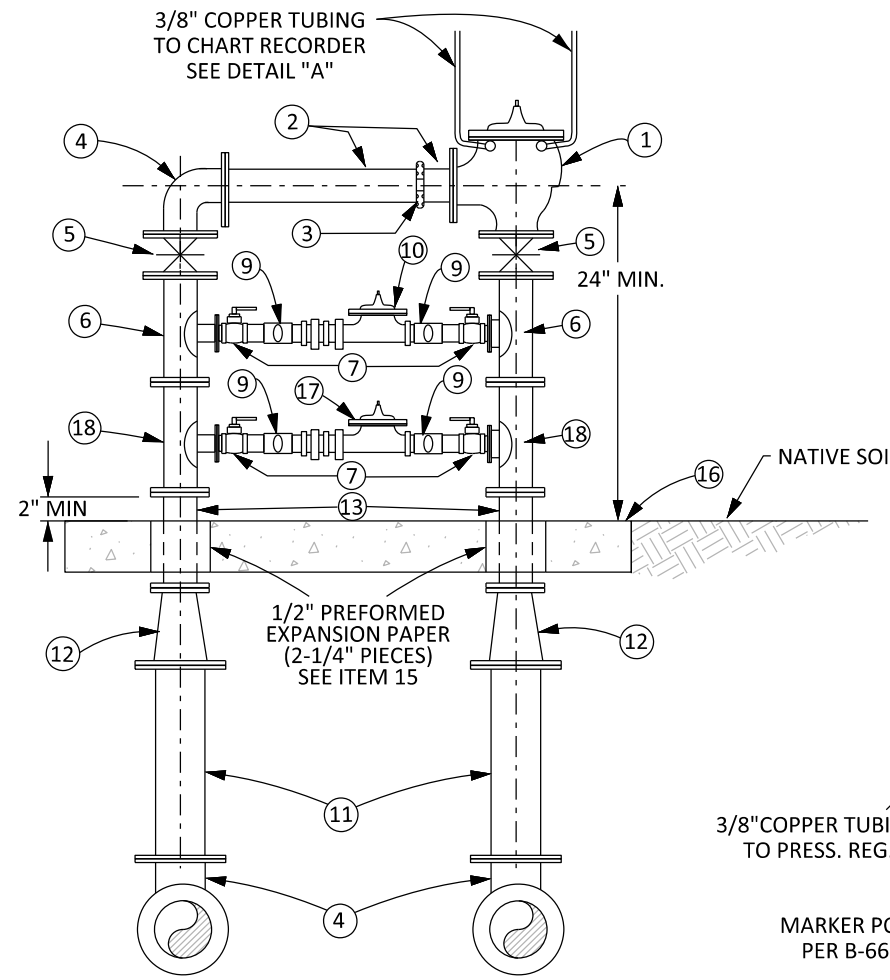
PLAN VIEW

REGULATOR TABLE

MAIN REGULATOR NO. 1 (SIZE)	BYPASS REGULATOR NO. 10 (SIZE)
8"	4" Direct-Acting Reg.
BYPASS REGULATOR NO. 17 (SIZE)	2" Direct-Acting Reg.

PRESSURE REGULATOR

SIZE	RECOMMENDED FLOW (HEAD LOSS VARIES)
2"	15 GPM - 210 GPM
4"	50 GPM - 800 GPM
6"	115 GPM - 1800 GPM
8"	200 GPM - 3100 GPM



ELEVATION VIEW

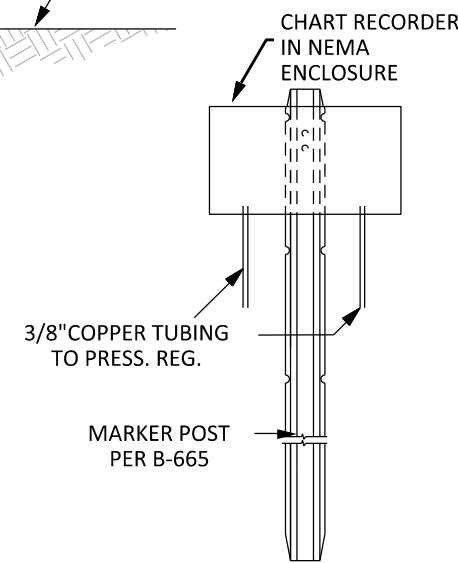


CHART RECORDER MOUNT DETAIL "A"

MATERIAL LIST (ALL MATERIALS TO BE APPROVED BY EMWD)

ITEM	QTY	DESCRIPTION
1	1 EA	FLGD ANGLE PRESSURE REGULATOR W/(4) FOUR-PORT BONNET
2	2 EA	F X VICTAULIC SPOOL (CUT TO FIT)
3	1 EA	VICTAULIC COUPLING
4	2 EA	F X F 90° ELBOW (MIN 8" I.D.)
5	3 EA	F X F BUTTERFLY VALVE
6	2 EA	8" X 4" FLGD TEE W/4" COMPANION FLANGE.
7	4 EA	STAINLESS STEEL BALL VALVE W/CLOSE NIPPLE (SIZE AS REQUIRED)
8	2 EA	COPPER OR BRASS PIPE (SIZE AS REQUIRED)
9	4 EA	45° COPPER OR BRASS ELBOW W/CLOSE NIPPLE (SIZE AS REQUIRED)
10	1 EA	4" THREADED GLOBE DIRECT-ACTING PRESSURE REGULATOR W/UNION
11	2 EA	F X F CML&C STEEL OR D.I. PIPE (MIN 8" I.D.)
12	2 EA	() X 8" FLGD REDUCER, IF REQUIRED
13	2 EA	8" F X F CML&C STEEL OR D.I. PIPE SPOOL
14	...	#4 REBAR GR 60 12" O.C. EA. WAY
15	...	PREFORMED EXPANSION PAPER PER ASTM 1751
16	1 EA	CONCRETE SLAB (LENGTH= 24" LARGER THAN O.D. OF RISER PIPE WIDTH= 24" LARGER THAN O.D. OF RISER PIPE)
17	1 EA	2" THREADED GLOBE DIRECT-ACTING PRESSURE REGULATOR W/UNION
18	2 EA	8" X 4" FLGD TEE W/4" X 2" COMPANION FLANGE

NOTES:

- PRESSURE REGULATOR SHALL BE MIN. 24" ABOVE FINISH GRADE.
- BELOW GROUND INSTALLATION OF PRESS. REG. TO BE ALLOWED ONLY WHEN ABOVE GROUND ASSEMBLY IS NOT PERMITTED BY THE GOVERNING AGENCY.
- IN AREAS PRONE TO FREEZING, BYPASS PIPING SHALL BE WRAPPED WITH INSULATING TAPE.
- ALL CML&C PIPE TO MEET EMWD SPECIFICATION 15061.
- TEES OR CONNECTIONS SHALL NOT BE ALLOWED BETWEEN EMWD RSGV AND PRESSURE REGULATOR.
- ENCLOSURE MANUFACTURERS, OR APPROVED EQUAL:
A. BACKFLOW PREVENTION DEVICE INNCLUSION, PHOENIX, AZ.
B. LE MEUR WELDING & MANUFACTURING, WILMINGTON, CA.
- EMWD O&M MAY REQUIRE A VERTICAL FLOW METER ON INLET PIPING. INSTALL AN EQUAL LENGTH SPOOL ON OUTLET PIPING.
- EMWD O&M MAY REQUIRE A CHART RECORDER INSTALLED W/COPPER TUBING TO MAIN PRESS. REG. BODY PORTS. PLACED INSIDE NEMA ENCLOSURE, EXACT LOCATION TO BE DETERMINED IN THE FIELD.

REVISIONS

NO.	DATE	INITIAL	DESCRIPTION	APP'D	DATE
1	8/5/20	GS	UPDATED TITLE BLOCK, FONT AND LOGO	AGA	8/5/20

APPROVALS

	INITIAL	DATE
DESIGN	CM	7/14/05
CONSTRUCTION		
INSPECTION	CD	7/14/05
OPERATIONS	KG	7/15/05
SUBMITTED	VJB	7/18/05



**EASTERN MUNICIPAL WATER DISTRICT
STANDARD DRAWING**

**8" PRESSURE REGULATOR
ABOVE GROUND INSTALLATION**

REFERENCES:

FILE I.D.: \kauai\eng\std dwgs\B-933.dgn

SCALE: NONE

DRAWN BY: CM

RECOMMENDED

DIRECTOR OF ENGINEERING DATE

APPROVED *Charlie Bachmann*
ASSISTANT GENERAL MANAGER

7/18/05
DATE

B-933

