

**REGULATOR TABLE**

MAIN REGULATOR NO. 1 (SIZE)	BY-PASS REGULATOR NO. 10 (SIZE)
4"	2" Direct-Acting Reg.
6"	2" Direct-Acting Reg.

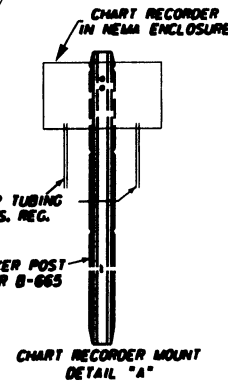
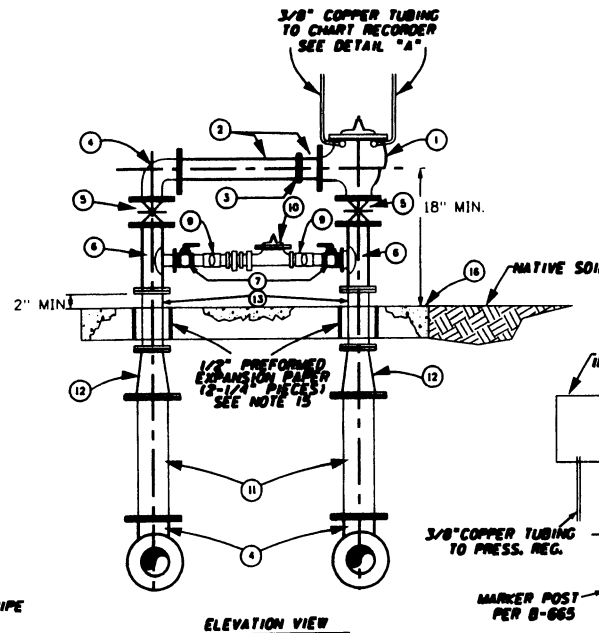
**PRESSURE REGULATOR**

SIZE	RECOMMENDED FLOW (HEAD LOSS VARIES)
2"	15 GPM - 250 GPM
4"	50 GPM - 800 GPM
6"	15 GPM - 800 GPM

**MATERIAL LIST**

(ALL MATERIALS TO BE APPROVED BY EMD)

- 1 EA -- FLGD ANGLE PRESSURE REGULATOR W/1/4" FOUR-PORT BONNET
- 2 EA -- F X VICTAULIC SPOOL (CUT TO FIT)
- 1 EA -- VICTAULIC COUPLING
- 2 EA -- F X F 90° ELBOW
- 3 EA -- F X F BUTTERFLY VALVE
- 2 EA -- FLGD TEE 1 RUN SIZE SAME AS MAIN REGULATOR NO. 11 X 4 (BRANCH W/COMPANION FLANGE (SIZE AS REQUIRED))
- 2 EA -- STAINLESS STEEL BALL VALVE W/CLOSE NIPPLE (SIZE AS REQUIRED)
- 2 EA -- COPPER OR BRASS PIPE (SIZE AS REQUIRED)
- 2 EA -- 45° COPPER OR BRASS ELBOW W/CLOSE NIPPLE (SIZE AS REQUIRED)
- 1 EA -- THREADED GLOBE DIRECT-ACTING PRESSURE REGULATOR W/UNION (SIZE AS REQUIRED)
- 2 EA -- F X F CMLBC STEEL OR D.L.P. PIPE (MIN 8" I.D.)
- 2 EA -- F X F REDUCER (SIZE AS REQUIRED)
- 2 EA -- F X F CMLBC STEEL OR D.L.P. SPOOL (SIZED AS REG. NO. 11)
- 4 REBAR OR 60 12" O.C. E.A.WAY
- PREFORMED EXPANSION PAPER PER ASTM 1751
- 1 EA -- CONCRETE SLAB (LENGTH 24" LARGER THAN O.D. OF RISER PIPE WIDTH 24" LARGER THAN O.D. OF RISER PIPE)



**NOTES**

1. PRESSURE REGULATOR SHALL BE MIN. 18" ABOVE FINISH GRADE.
2. BELOW GROUND INSTALLATION OF PRESS. REG. TO BE ALLOWED ONLY WHEN ABOVE GROUND ASSEMBLY IS NOT PERMITTED BY THE GOVERNING AGENCY.
3. IN AREAS PRONE TO FREEZING, BYPASS PIPING SHALL BE WRAPPED WITH INSULATING TAPE.
4. ALL CMLBC PIPE TO MEET EMD SPECIFICATION 15061.
5. TEES OR CONNECTIONS SHALL NOT BE ALLOWED BETWEEN EMD RSGV AND PRESSURE REGULATOR.
6. ENCLOSURE MANUFACTURERS, OR APPROVED EQUAL: 1) BACKFLOW PREVENTION DEVICE ENCLOSURE, PHOENIX, AZ. 2) LE WELDR WELDING & MANUFACTURING, WILMINGTON, CA.
7. EMD O&M MAY REQUIRE A VERTICAL FLOW METER ON INLET PIPING. INSTALL AN EQUAL LENGTH SPOOL ON OUTLET PIPING.
8. EMD O&M MAY REQUIRE A CHART RECORDER INSTALLED W/COPPER TUBING TO MAIN PRESS. REG. BODY PORTS, PLACED INSIDE NEMA ENCLOSURE, EXACT LOCATION TO BE DETERMINED IN THE FIELD.

REVISIONS				APPROVALS			
NO.	DATE	INITIAL	DESCRIPTION	APP'D	DATE	INITIAL	DATE

REFERENCES: SCALE: NONE  
 FILE I.D.: \\va\eng\std\drws\0932.dgn  
 DRAWN BY: CM

EASTERN MUNICIPAL WATER DISTRICT  
 STANDARD DRAWING

EASTERN MUNICIPAL WATER DISTRICT

4" & 6" PRESSURE REGULATOR ABOVE GROUND INSTALLATION

APPROVED: *[Signature]* 7/8/05  
 ASST. GENERAL MANAGER ENGINEERING

B-932