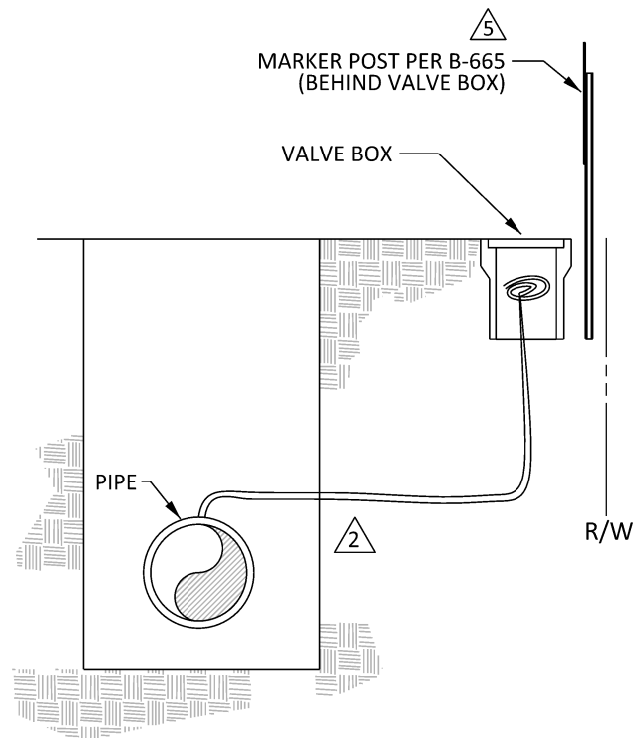
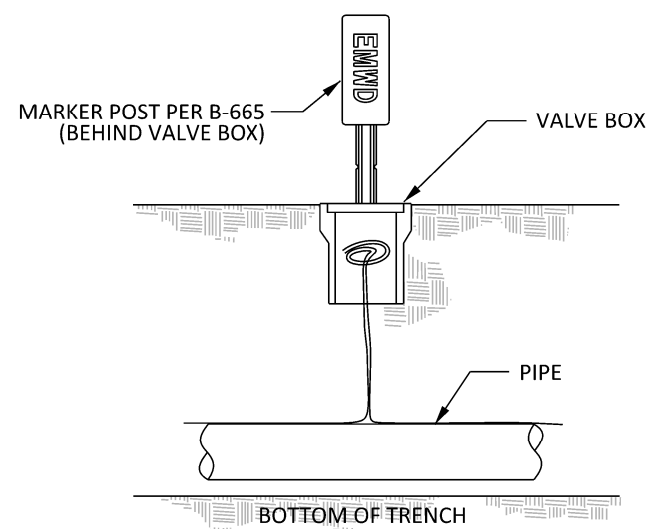


**PLAN VIEW**




**TYPICAL TRENCH SECTION**



**PROFILE VIEW**

**NOTES:**

1. LOCATOR WIRE TO BE 14 GAUGE SOLID COPPER WIRE UF, THWN, OR THHN.
2. LOCATOR WIRE SHALL BE BROUGHT TO THE SURFACE AT 660 FT OC MAX BY FIRE HYDRANTS OR INSTALL EMWD MARKER POSTS (B-665). GIVE STATIONS AT VALVE BOXES. (FOR TRACT CONSTRUCTION CHISEL "LW" IN FACE OF CURB IN LIEU OF MARKER POSTS).
3. LOOP 2 FEET OF WIRE IN VALVE BOX WITHIN 2 FEET OF FIRE HYDRANT OR EMWD MARKER POST.
4. WIRE TO BE CONTINUOUS STRAND.
5. LOCATOR WIRE SHALL BE INSTALLED OVER ALL WATERLINES, RECLAIMED WATERLINES AND FORCE MAINS WHETHER OR NOT TELEMETRY WIRE IS BURIED WITH THE PIPE.
6. USE CAST IRON COVER LABELED WATER, SEWER, OR RECLAIMED (RECLAIMED TO BE PAINTED LAVENDER).
7. FOR PIPE DEPTHS GREATER THAN 8 FT LOCATOR WIRE SHALL BE PLACED ABOVE PIPE AT MAX 8 FT DEPTH. MARKER TAPE SHALL BE PLACED 1 FT ABOVE THE LOCATOR WIRE.
8. A LOCATIBILITY TEST IS TO BE PERFORMED ON ALL LOCATOR WIRES.
9. SPLICES TO BE DONE WITH A CRIMPABLE BUTT CONNECTOR.

REVISIONS						APPROVALS			EASTERN MUNICIPAL WATER DISTRICT STANDARD DRAWING	
NO.	DATE	INITIAL	DESCRIPTION	APP'D	DATE		INITIAL	DATE	 <b>LOCATOR WIRE INSTALLATION</b>	
5	5/3/19	GS	UPDATED TITLE BLOCK, FONT AND LOGO	AGA	5/3/19	DESIGN	VJB	8/90		
4	3/23/01	GR	REVISED FILE ID NO			CONSTRUCTION				
3	5/4/99	GR	REVISED NOTE 8	VJB	5/6/99	INSPECTION				
2	8/5/96	KER	REVISED WIRE LOCATION	VJB	8/6/96	OPERATIONS	MVA	8/90		
1	5/6/96	KER	REDRAWN W/CAD ON MYLAR	VJB	5/8/96	SUBMITTED				
REFERENCES:				SCALE: NONE		<b>RECOMMENDED</b> <i>Joseph Van Sickle</i> 8/28/90 DIRECTOR OF ENGINEERING DATE			<b>APPROVED</b> <i>William P. Plummer</i> 8/31/90 ASSISTANT GENERAL MANAGER DATE	
FILE I.D.: \kauai\eng\std dwgs\B-656.dgn				DRAWN BY: KER					<b>B-656</b>	