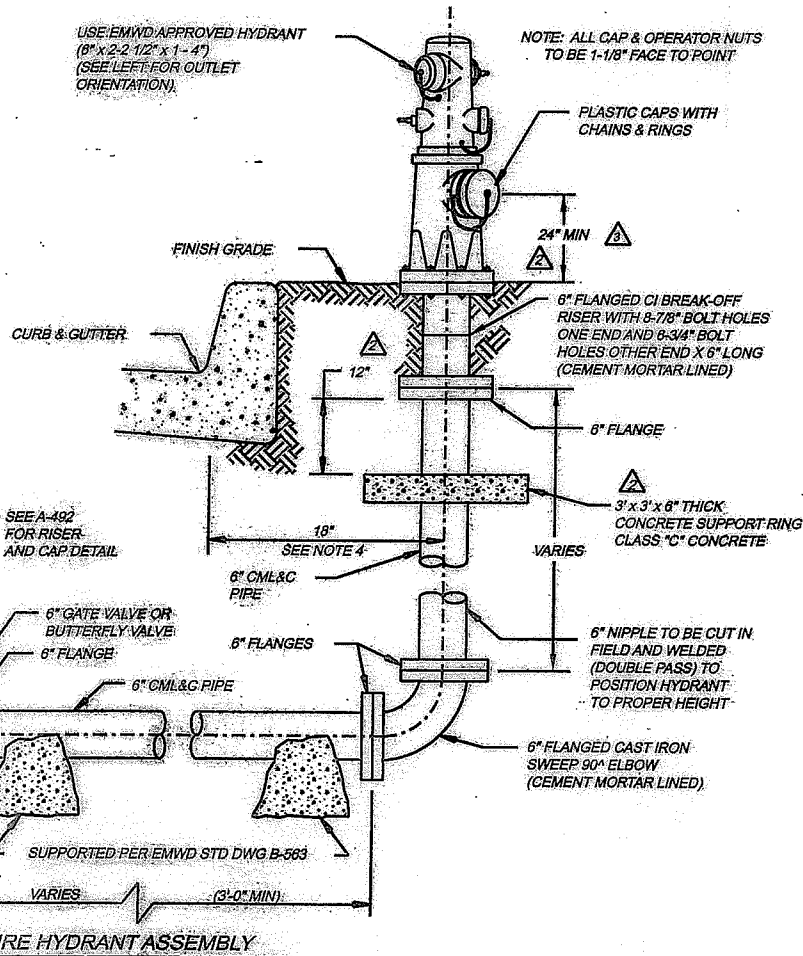


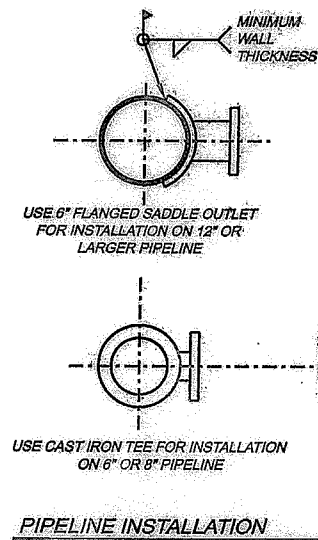
USE EMWD APPROVED HYDRANT
(8" x 2-1/2" x 1-4")
(SEE LEFT FOR OUTLET
ORIENTATION).

NOTE: ALL CAP & OPERATOR NUTS
TO BE 1-1/8" FACE TO POINT



GENERAL NOTES

1. PAINTS:
HYDRANT TOPS AND NOZZLE CAPS, 1500 gpm OR GREATER TO BE LIGHT BLUE.
HYDRANT TOPS AND NOZZLE CAPS, 1000 gpm TO 1499 gpm, TO BE GREEN.
HYDRANT TOPS AND NOZZLE CAPS, 500 gpm TO 999 gpm, TO BE ORANGE.
HYDRANT TOPS AND NOZZLE CAPS, LESS THAN 500 gpm, TO BE RED.
2. ALL FLANGES SHALL BE FULL WELDED (DOUBLE PASS) AND COATED IN THE FIELD AS DIRECTED BY ENGINEER PER NOTE 6.
3. ALTERNATE MATERIALS MAY BE USED WHEN SPECIFIED.
4. FIRE HYDRANT LOCATIONS:
A. FIRE HYDRANT SHALL BE PLACED
1. 1' 6" BEHIND CURB FACE WHEN WIDTH OF SIDEWALK IS 8' OR WIDER.
2. 7' 6" BEHIND CURB FACE WHEN WIDTH OF SIDEWALK IS 6' WIDE.
3. 7' 6" BEHIND CURB FACE WHEN THERE IS NO SIDEWALK.
4. 1'-6" WITHIN ROAD RIGHT-OF-WAY WHEN NO CURBS OR SIDEWALKS ARE PROPOSED.
B. FIRE HYDRANT TO BE 1' BACK FROM INTERSECTION OF SIDEWALK WITH CORNER APRON.
C. AT OTHER THAN STREET INTERSECTIONS FIRE HYDRANTS TO BE ON LOT LINES.
5. FIELD COATING FOR EXPOSED PIPE SHALL BE PER EMWD SPECIFICATIONS AND APPROVED MATERIALS.
6. A MINIMUM 3 FT CLEAR SPACE SHALL BE MAINTAINED AROUND THE CIRCUMFERENCE OF THE FIRE HYDRANT.



REVISIONS				APPROVALS			
NO.	DATE	INITIAL	DESCRIPTION	APP'D	DATE	INITIAL	DATE
1	4/8/93		REDRAWN BY CADD ON MYLAR	VJB	7/2/93		
2	5/19/00	GR	REV NOTES 1, 4, 6, ADD CONC SUPPORT & DIMS	VJB	5/19/00		
3	10/2/06	RE	REVISED FIRE HYDRANT DIMENSION	JM	10/2/06		



RIVERSIDE COUNTY SUPER FIRE HYDRANT
EASTERN MUNICIPAL WATER DISTRICT
STANDARD DRAWING

6" x 2-2 1/2" x 1-4" FIRE HYDRANT
INSTALLATION—STEEL PIPE

REFERENCES: ORIG. DRAWN BY MCM 8/75;
FILE ID: KAUAVENGINEERING/STD/DWG
SCALE: NONE
DRAWN BY

RECOMMENDED *Joseph D. Van Sickle* 6/19/93
DIRECTOR OF ENGINEERING DATE

APPROVED *G. Hooite Ruggs* 7/2/93
CHIEF ENGINEER DATE
B-516