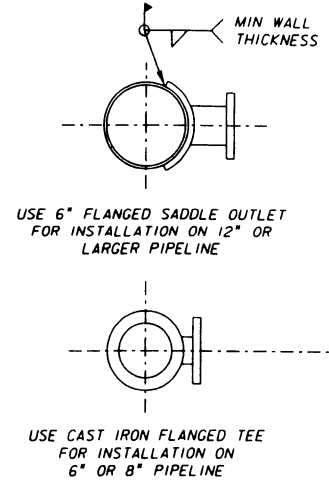


NOTE: ALL CAP & OPERATOR NUTS TO BE 1-1/8" FACE TO POINT

GENERAL NOTES

1. PAINTS:
BLOWOFF TO BE PAINTED APPROVED YELLOW.
2. ALL FLANGES SHALL BE FULL WELDED (DOUBLE PASS) AND COATED IN THE FIELD AS DIRECTED BY THE ENGINEER PER NOTE 5.
3. ALTERNATE MATERIALS MAY BE USED WHEN SPECIFIED.
4. BLOW OFF LOCATIONS:
 - A. BLOW OFF SHALL BE PLACED
 1. 1'-6" BEHIND CURB FACE WHEN THE WIDTH OF SIDEWALK IS 8' OR WIDER.
 2. 7'-6" BEHIND CURB FACE WHEN THE WIDTH OF SIDEWALK IS 6' WIDE.
 3. 7'-6" BEHIND CURB FACE WHEN THERE IS NO SIDEWALK.
 4. 1'-6" WITHIN ROAD RIGHT-OF-WAY WHEN NO CURBS OR SIDEWALKS ARE PROPOSED.
 - B. BLOW OFF TO BE 1' BACK FROM INTERSECTION OF SIDEWALK WITH CORNER APRON.
 - C. AT OTHER THAN STREET INTERSECTIONS BLOW OFF TO BE ON LOT LINES.
5. FIELD COATING FOR EXPOSED PIPE SHALL BE PER EMWD SPECIFICATIONS AND APPROVED MATERIALS.
6. A MINIMUM 3 FT CLEAR SPACE SHALL BE MAINTAINED AROUND THE CIRCUMFERENCE OF THE BLOW OFF.



PIPELINE INSTALLATION

BLOW OFF ASSEMBLY

RIVERSIDE COUNTY WHARFHEAD FIRE HYDRANT
EASTERN MUNICIPAL WATER DISTRICT
STANDARD DRAWING



**6" x 1-2 1/2" BLOW-OFF
INSTALLATION—STEEL PIPE**

REVISIONS				APPROVALS			
NO.	DATE	INITIAL	DESCRIPTION	APP'D	DATE	INITIAL	DATE
1	4/6/93		REDRAWN W/CADD ON MYLAR	VJB	5/19/93		
2	5/18/00	GR	REVISED ALL FONT & ADDED NOTE 6	VJB	5/19/00		
3	10/14/05	cm	CHANGE F.H. TITLE & NOTES TO BLOWOFF	VJB	10/14/05		
						PK	5/18/93
						VJB	5/19/93

REFERENCES: SUPERCEDES B-349 ORIG DRAWN 5/69
FILE I.D.:kaud\eng\std drwgs\b351.dgn
SCALE: NONE
DRAWN BY: [blank]

RECOMMENDED Joseph D. Van Sickle 6/3/93
DIRECTOR OF ENGINEERING DATE

APPROVED G. Hooite Rugge 7/2/93
CHIEF ENGINEER DATE

B-351