

COVER TO FINISHED STREET GRADE: 30" MIN; 36" AT GAS MAIN XING (SEE NOTE 6)

3 1/2" ±

19"

SEE NOTE 8 & 10

SEE NOTE 9

SEE NOTES 12, 13, 14 & 15

SEE NOTE 12

SEE NOTES 6, 11 & 14

6" LAYER OF COARSE GRAVEL

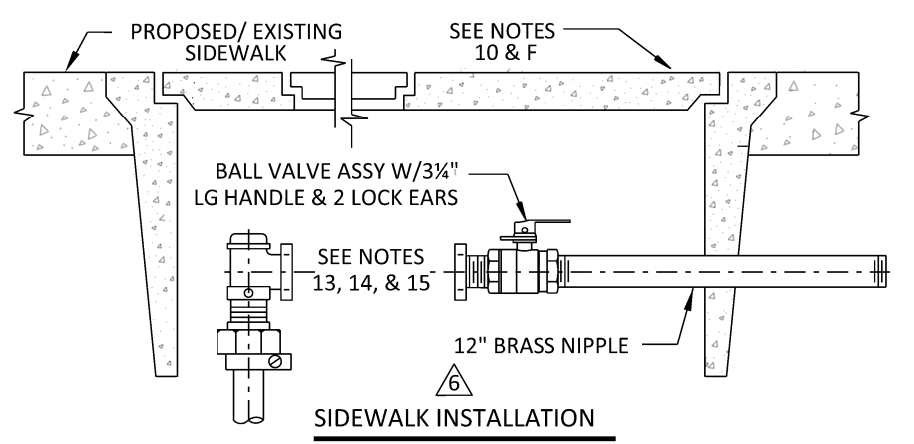
COMPACTED MATERIAL PER EMWD SPECIFICATIONS

2" 90° SWEAT ELBOW

FOR SPlicing, IF ALLOWED, USE 2" C TO SWEAT COUPLING OR 2" PJ COUPLING (TO BE USED ONLY UPON APPROVAL OF ENGINEER).


FLOW RATE TABLE

FUTURE METER SIZE	FLOW RATE (GPM)	EMWD STD DWG	VELOCITY (FT/S)	METER LENGTH
3/8" MULTIJET	15	B-590	1.6	7 1/2"
1/2" MULTIJET	20	B-590	2.13	7 1/2"
1" MULTIJET	30	B-591	3.19	10 3/4"
1 1/2" MULTIJET	75	B-342	7.98	13"



- NOTES:**
- ALL FITTINGS INCLUDING, BUT NOT LIMITED TO, THE CORPORATION STOP AND ANGLE STOP VALVE SHALL:
    - BE MADE OF BRASS OR BRONZE;
    - BE OF THE Banded PATTERN;
    - BE DESIGNED FOR A MIN OF 175 PSI (COLD) WATER WORKING PRESSURE.
  - PRESSURE TEST PER EMWD SPECIFICATIONS.
  - ALL BARE IRON AND STEEL SHALL BE COATED WITH CEMENT MORTAR PER EMWD SPECIFICATIONS.
  - ALL LISTED MATERIALS TO BE PER EMWD APPROVED MATERIALS LIST.
  - CORPORATION STOP, FITTINGS, AND SERVICE LINE WITHIN 3 FEET OF SADDLE SHALL BE PRIMED & WRAPPED WITH APPROVED COAL-TAR RESIN TAPE.
  - ALL SERVICE PIPE AND TUBING SHALL BE LAID ON A POSITIVE SLOPE UP FROM THE WATER MAIN TO THE METER. NO DIPS OR POCKETS IN LINE WILL BE PERMITTED. 36" COVER AT GAS MAIN CROSSINGS.
  - THREAD NOTATION SHOWN THUS:
    - IP = IRON PIPE THREAD.
    - CS = CORPORATION STOP (MUELLER).
    - CT = COPPER SERVICE THREAD.
    - PJ = PACKING JOINT.
  - METER BOX SHALL BE EMWD APPROVED COMPLETE WITH TWO-PIECE COVER AND LID WITH AMR/AMI ANTENNA PORT PER METER STANDARD DRAWING.
  - VALVE BOX, IF REQUIRED, SHALL BE PER METER STANDARD DRAWING.
  - CONTRACTOR SHALL RETURN AFTER ROAD SHOULDER OR PARKWAY IS COMPLETE TO INSTALL METER BOX, AND SHALL BE RESPONSIBLE FOR COORDINATING WORK OF OTHER CONTRACTORS FOR SAFEGUARDING SERVICES UNTIL METER BOXES ARE SET.
  - SYSTEMS WITH ONSITE PUMPS SHALL NOT EXCEED 5 FPS VELOCITY WITHIN THE SERVICE LATERAL. SYSTEMS WITHOUT PUMPS, SHALL NOT EXCEED 10 FPS.
  - WHEN 2" COPPER SERVICE LATERAL IS TO BE REDUCED TO 1 1/2" OR 1" COPPER, USE A SWEAT COPPER REDUCER AFTER THE 90° TRANSITION. A 1" METER ANGLE STOP TO BE INSTALLED WITH METER REDUCER BUSHING.
  - FOR A 1 INCH METER INSTALLATION AN 1 1/2" METER FLANGE X FNPT WITH 1" METER TAIL PIECE WILL BE REQUIRED. FOR A 3/4" & 5/8" METER INSTALL A 1" X 3/4" METER BUSHING WILL BE REQUIRED. SEE MANUFACTURER'S SPECIFICATIONS FOR METER INSTALLATION.
  - FOR SINGLE FAMILY RESIDENTIAL UNITS, ENGINEER TO VERIFY THE ADEQUACY OF THE SERVICE LATERAL SIZE TO ALLOW FOR OPERATION OF RESIDENTIAL FIRE SPRINKLER SYSTEM. FOR COMMERCIAL AND INDUSTRIAL APPLICATIONS, SERVICE LATERAL SIZES WILL BE BASED ON VELOCITIES BEING UNDER 10 FT/S.
  - JUMPER ASSEMBLY USED FOR THE CONSTRUCTION OF THE METER SERVICE SHALL BE MADE OF SCHEDULE 80 PVC, HAVE ALL PVC FITTINGS SOLVENT WELDED, AND MEET METER MANUFACTURER'S SPECIFICATIONS FOR METER INSTALLATION. JUMPER TO BE PAINTED BLUE (POTABLE JUMPERS ARE NOT TO BE USED FOR RECYCLED WATER SERVICE CONNECTIONS).
  - SERVICES THAT REQUIRE BACKFLOW PROTECTION PER EMWD'S ADMIN CODE, SHALL BE PER B-597.

- PLACEMENT OF METER BOX**
- PLACE FRONT EDGE OF METER BOX 6" BEHIND EXISTING OR PROPOSED 6' OR 8' SIDEWALKS.
  - WHEN PROPOSED OR EXISTING SIDEWALK IS 12' WIDE, PLACE FRONT EDGE OF BOX 1.5' BEHIND CURB USING APPROPRIATE BOX.
  - WHEN NO SIDEWALK IS PROPOSED, PLACE FRONT EDGE OF METER BOX 6.5' BEHIND CURB.
  - UPON COMPLETION OF WATER SYSTEM, WHEN NO CURBS ARE EXISTING NOR WILL BE INSTALLED, PLACE BACK EDGE OF METER BOX ON PROPERTY LINE.
  - A MINIMUM 5' SEPARATION IS TO BE BETWEEN SEWER LATERAL AND WATER SERVICE.
  - WHEN INSTALLED IN CONCRETE (SIDEWALK), SEE METER STANDARD DRAWING FOR METER BOX INSTALLATION SPECIFICATIONS.
  - A MINIMUM 5' SEPARATION IS TO BE MAINTAINED BETWEEN THE SEWER LATERAL, WATER SERVICE AND RECYCLED WATER SERVICE.

REVISIONS					APPROVALS			 EASTERN MUNICIPAL WATER DISTRICT	EASTERN MUNICIPAL WATER DISTRICT STANDARD DRAWING		
NO.	DATE	INITIAL	DESCRIPTION	APP'D	DATE	DESIGN	INITIAL		DATE	2" COPPER SERVICE CONNECTION	
6	4/6/22	GS	REVISED FLOW RATE TABLE, NOTES, LOGO, TEXT, CALLOUTS, ADDED SIDEWALK INSTALLATION, BALL VALVE, REMOVED CONDUIT DETAIL	AGA	4/6/22	CONSTRUCTION					
5	6/22/15	GS	REVISED CALLOUTS, NOTES AND ADDED FLOW RATE TABLE	AGA	8/31/16	OPERATIONS	ML	10/23/95			
4	8/28/03	CM	RELOCATE FUTURE VALVE BOX	VJB	10/15/03	SUBMITTED					
REFERENCES: SUPERCEDES B-343A					SCALE: NONE						
FILE I.D.:					DRAWN BY: KER			RECOMMENDED <i>Joseph D. Van Sickle</i> 10/20/95 DIRECTOR OF ENGINEERING DATE		APPROVED <i>G. Hooite Rugge</i> 10/20/95 CHIEF ENGINEER DATE	B-344A