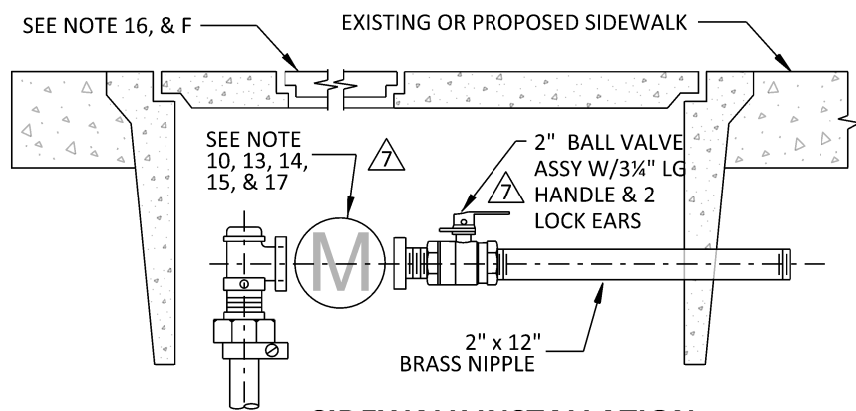


**4" WATER SERVICE CONNECTION 2" METER**

NOT TO SCALE

**FLOW RATE TABLE**

LATERAL SIZE	METER SIZE	FLOW RATE (GPM)	VELOCITY (ft/s)	METER LENGTH
4" SERVICE	2" MULTI-JET	120	2.5	17"
4" SERVICE	2" OMNI C2	160	3.4	15 1/4"
4" SERVICE	2" OMNI R2	200	4.2	17"



**SIDEWALK INSTALLATION**


NOT TO SCALE

**NOTES:**

1. ALL FITTINGS AND PIPING FROM THE ANGLE STOP VALVE TO THE BALL VALVE NIPPLE SHALL :
  - A. BE MADE OF BRASS OR BRONZE;
  - B. BE OF THE BANDED PATTERN;
  - C. BE DESIGNED FOR A MIN OF 175 PSI (COLD) WATER WORKING PRESSURE.
2. PRESSURE TEST PER EMWD SPECIFICATIONS.
3. ALL BARE IRON AND STEEL SHALL BE COATED WITH CEMENT MORTAR AS PER THE FIELD ENGINEER.
4. ALTERNATE MATERIALS MAY BE USED UPON APPROVAL BY THE ENGINEER.
5. CORPORATION STOP, FITTINGS, AND SERVICE LINE WITHIN 3 FEET OF SADDLE SHALL BE PRIMED AND WRAPPED WITH APPROVED COAL-TAR RESIN TAPE.
6. ALL SERVICE PIPE AND TUBING SHALL BE LAID ON A POSITIVE SLOPE UP FROM THE WATER MAIN TO THE METER. NO DIPS OR POCKETS IN THE LINE WILL BE PERMITTED. 36" COVER SHALL BE AT GAS MAIN CROSSINGS.
7. THREAD NOTATION SHOWN THUS:
  - IP = IRON PIPE THREAD;
  - CS = CORPORATION STOP (MUELLER) THREAD;
  - CT = COPPER SERVICE THREAD.
8. METER BOX SHALL BE EMWD APPROVED 17" x 30" COMPLETE WITH TWO PIECE COVER, LID, AND ONE (1) - 7" EXTENSION WITH KNOCKOUTS AND AMR/AMI ANTENNAPORT (SEE NOTE F FOR SIDEWALK INSTALLATION).
9. VALVE BOX SHALL BE EMWD APPROVED 12" DIA x 10" DEEP, COMPLETE WITH COVER AND ONE (1) - 6" EXTENSION.
10. WHEN METER IS FURNISHED BY OTHERS, USE 2" GALV NIPPLE C/W 2" METER FLANGES AT EACH END. LOCK ANGLE METER STOP CLOSED WITH LEAD SEAL AND THREE-STRAND SEALING WIRE. REFER TO FLOW RATE TABLE FOR NIPPLE LENGTH.
11. METER PORT HOLES CENTER TO BE INSTALLED 10" BELOW TOP OF METER BOX.
12. SERVICES THAT REQUIRE BACKFLOW PROTECTION PER EMWD'S ADMIN CODE, SHALL BE PER B-597.
13. SYSTEMS WITH ONSITE PUMPS SHALL NOT EXCEED 5 FPS VELOCITY WITHIN THE SERVICE LATERAL. SYSTEMS WITHOUT PUMPS, SHALL NOT EXCEED 10 FPS. (SEE B-342A)
14. FOR SINGLE FAMILY RESIDENTIAL UNITS, ENGINEER TO VERIFY THE ADEQUACY OF THE SERVICE LATERAL SIZE TO ALLOW FOR OPERATION OF RESIDENTIAL FIRE SPRINKLER SYSTEM. FOR COMMERCIAL AND INDUSTRIAL APPLICATIONS, SERVICE LATERAL SIZE WILL BE BASED ON VELOCITIES BEING UNDER 10 FT/S.
15. SEE MANUFACTURER'S SPECIFICATIONS FOR METER INSTALLATION.
16. CONTRACTOR SHALL RETURN AFTER ROAD SHOULDER OR PARKWAY IS COMPLETE TO INSTALL METER BOX, AND SHALL BE RESPONSIBLE FOR COORDINATING WORK OF OTHER CONTRACTORS FOR SAFEGUARDING SERVICES UNTIL METER BOXES ARE SET.
17. JUMPER ASSEMBLY USED FOR THE CONSTRUCTION OF THE METER SERVICE SHALL BE MADE OF SCHEDULE 80 PVC AND HAVE ALL PVC FITTINGS SOLVENT WELDED MEET METER MANUFACTURES SPECIFICATIONS FOR METER INSTALLATION JUMPER TO BE PAINTED BLUE (POTABLE JUMPERS ARE NOT TO BE USED FOR RECYCLED WATER )

**PLACEMENT OF METER BOX**

- A. PLACE FRONT EDGE OF METER BOX 6" MAX BEHIND EXISTING OR PROPOSED 6' OR 8' SIDEWALKS.
- B. WHEN PROPOSED OR EXISTING SIDEWALK IS 12' WIDE PLACE FRONT EDGE OF METER BOX 1.5' MAX BEHIND CURB USING APPROPRIATE METER BOX.
- C. WHEN NO SIDEWALKS IS PROPOSED PLACE FRONT EDGE OF METER BOX 6.5' BEHIND CURB FACE.
- D. WHEN NO CURBS ARE EXISTING OR TO BEING INSTALLED UPON COMPLETION OF THE WATER SYSTEM PLACE BACK EDGE OF METER BOX ON PROPERTY LINE.
- E. ADJOINING LOT METER BOXES SHALL BE PLACED TOGETHER AT PROPERTY LINE.
- F. WHEN INSTALLED IN CONCRETE (SIDEWALK) USE EMWD APPROVED 17" x 30" METER BOX COMPLETE WITH COVER AND LID.
- G. A MINIMUM 5' SEPARATION IS TO BE MAINTAINED BETWEEN THE SEWER LATERAL, WATER SERVICE AND RECYCLED WATER SERVICE.

REVISIONS					APPROVALS			EASTERN MUNICIPAL WATER DISTRICT STANDARD DRAWING
NO.	DATE	INITIAL	DESCRIPTION	APP'D	DATE	INITIAL	DATE	
8	4/6/22	GS	REVISED CALLOUTS, BALL VALVE, METER FLOW RATE TABLE,	AGA	12/30/16	DESIGN		
			NOTES, TEXT, LOGO, CALLOUTS, REMOVED CONDUIT DETAIL,			CONSTRUCTION		
			ADDED SIDEWALK INSTALLATION			INSPECTION		
1	12/21/16	GS	REVISED NOTE 1, 10, 12, ADDED NOTE REFERENCE TO	AGA	12/30/16	OPERATIONS	ML	10/23/95
			DETAIL, BALL VALVE, AND UPDATED LOGO			SUBMITTED		
REFERENCES: SUPERCEDES B-343 & B-344B ORIG DWG 8/68 3					SCALE: NONE			
FILE I.D.:					DRAWN BY: KER			
RECOMMENDED <i>Joseph D. Van Sickle</i> 10/20/95					APPROVED <i>G. Hovite Ruge</i> 10/20/95			<b>B-344</b>
					DIRECTOR OF ENGINEERING DATE			CHIEF ENGINEER DATE

