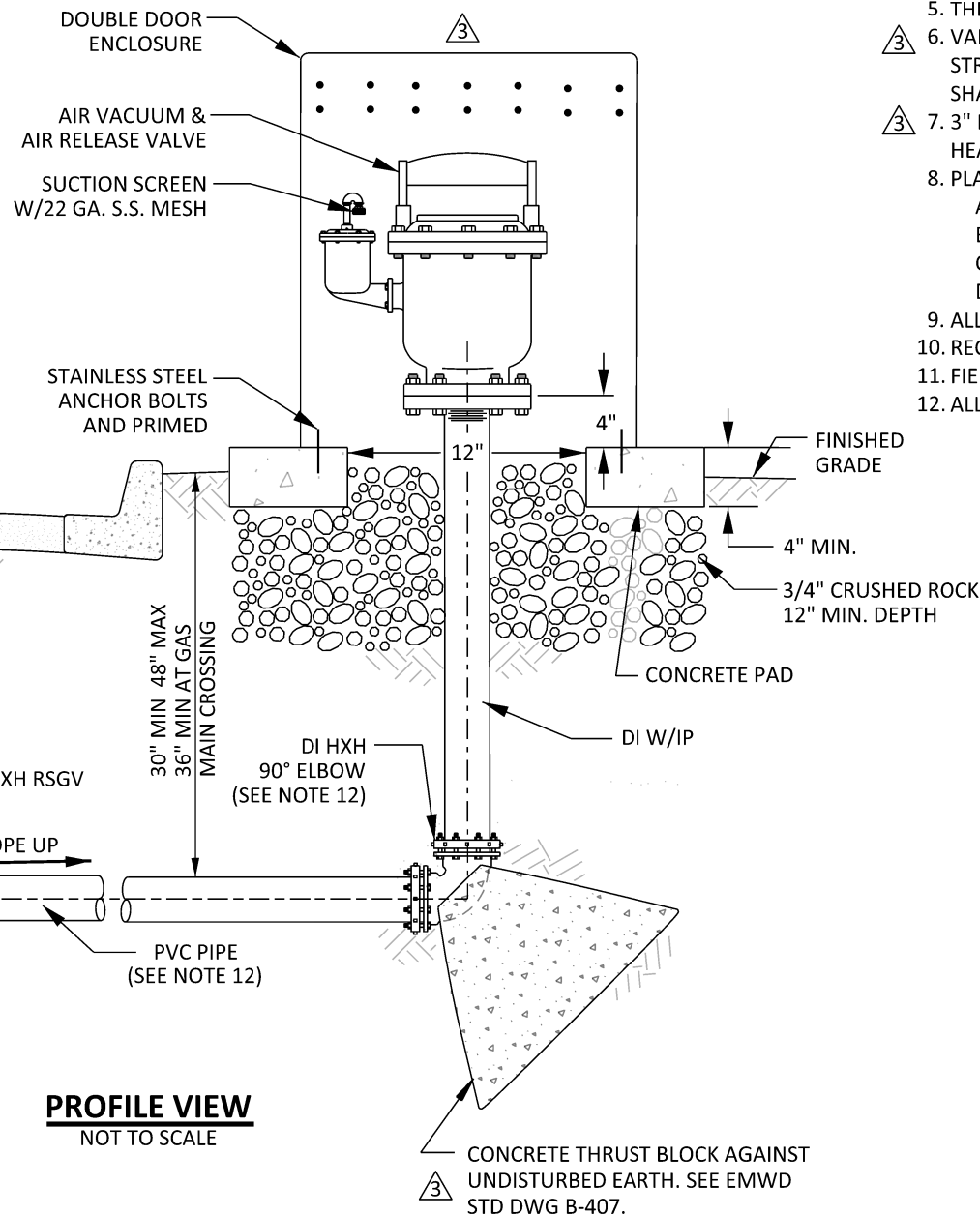
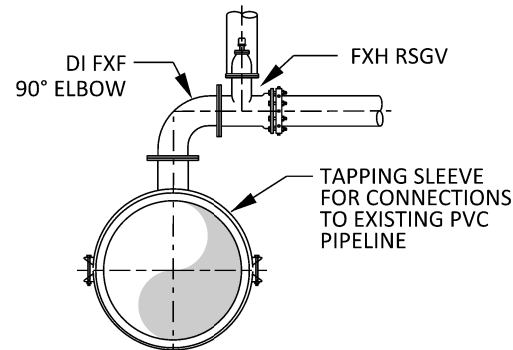


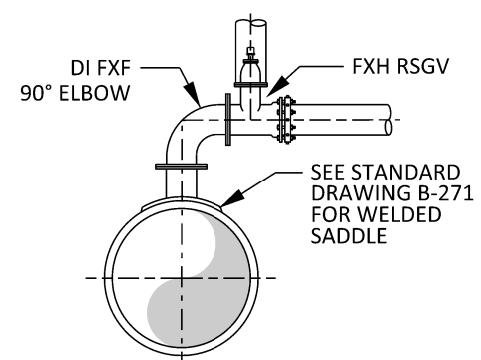
PLAN VIEW
INSTALLED ORIENTATION
NOT TO SCALE



PROFILE VIEW
NOT TO SCALE



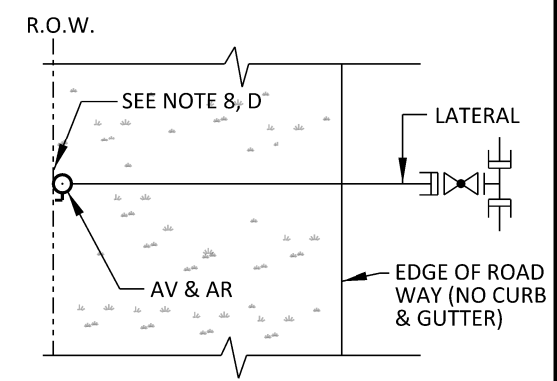
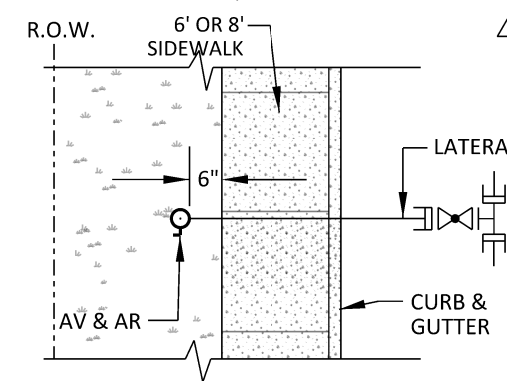
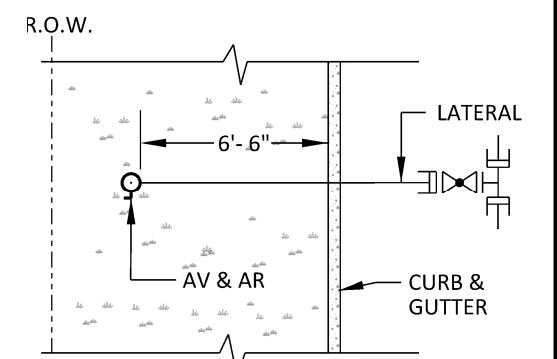
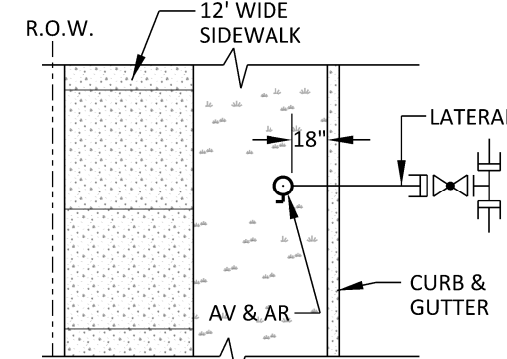
TYPE "B"
P.V.C. PIPE
NOT TO SCALE



TYPE "A"
STEEL PIPE
NOT TO SCALE

NOTES:

1. PRESSURE TEST PER EMWD SPECIFICATIONS.
2. ALL MATERIALS SHALL BE PER EMWD APPROVED MATERIAL LIST.
3. ALTERNATE MATERIALS MAY BE USED UPON APPROVAL BY EMWD.
4. ALL SERVICE PIPE AND TUBING SHALL BE LAID ON A CONSTANT SLOPE UP FROM THE WATER MAIN TO THE AV & AR. NO DIPS OR POCKETS WILL BE PERMITTED.
5. THREAD NOTATION SHOWN THUS: IP = IRON PIPE THREAD;
- ③ 6. VALVE ENCLOSURE TO BE APPROVED COLOR TAN. DOMESTIC VALVE ENCLOSURE SHALL HAVE A SINGLE BLUE COLOR STRIPE NEAR THE TOP; POTABLE STENCIL "EMWD WATER." RECYCLED VALVE ENCLOSURE SHALL HAVE A SINGLE PURPLE COLOR STRIPE NEAR THE TOP; RECYCLED STENCIL "EMWD RECYCLED WATER".
- ③ 7. 3" MINIMUM HORIZONTAL CLEARANCE REQUIRED FROM AV & AR TO ENCLOSURE WALL. 6" MINIMUM HEAD SPACE REQUIRED.
8. PLACEMENT OF CONCRETE PAD:
 - A. PLACE FRONT OF CONCRETE PAD 6" MAX BEHIND EXISTING OR PROPOSED 6' OR 8' SIDEWALKS.
 - B. WHEN PROPOSED OR EXISTING SIDEWALK IS 12' WIDE, PLACE FRONT EDGE OF BOX 18" BEHIND CURB.
 - C. WHEN NO SIDEWALK IS PROPOSED, PLACE FRONT EDGE OF CONCRETE PAD 6.5' BEHIND CURB FACE.
 - D. WHEN NO CURBS ARE EXISTING OR PROPOSED, PLACE BACK EDGE OF CONCRETE PAD ON PROPERTY LINE.
9. ALL RSGV AND AV & AR RUBBER COMPONENTS SHALL BE EPDM.
10. RECYCLED WATER AV & AR BODIES SHALL BE PAINTED PANTONE 522C.
11. FIELD COATING FOR EXPOSED PIPE SHALL BE PER EMWD SPECIFICATIONS AND APPROVED MATERIALS.
12. ALL JOINTS TO BE FULLY RESTRAINED PER B-663



AV & AR INSTALLATION DETAIL
NOT TO SCALE

REVISIONS				APPROVALS		
NO.	DATE	INITIAL	DESCRIPTION	APP'D	DATE	DATE
③	11/18/20	GS	REDRAWN IN CAD, REVISED TO ABOVE GRADE NSTALLATION, REVISED TITLE, NOTES, FONT, TITLE BLOCK AND LOGO ADDED AV & AR PLACEMENT DETAILS	AGA	11/18/20	

APPROVALS		
DESIGN	INITIAL	DATE
DESIGN	GS	2/13/19
CONSTRUCTION	JEW	8/1/81
INSPECTION		
OPERATIONS	MSP	8/1/81
SUBMITTED	LM	7/2/81

EASTERN MUNICIPAL WATER DISTRICT
STANDARD DRAWING

3"-10" AIR VACUUM & AIR RELEASE VALVE INSTALLATION

REFERENCES:
FILE I.D.: \kauai\eng\std dwgs\B-578.dgn

SCALE: NONE
DRAWN BY: GS

RECOMMENDED _____
DIRECTOR OF ENGINEERING DATE

APPROVED James H. Bunts Jr.
ASSISTANT GENERAL MANAGER DATE

B-578

