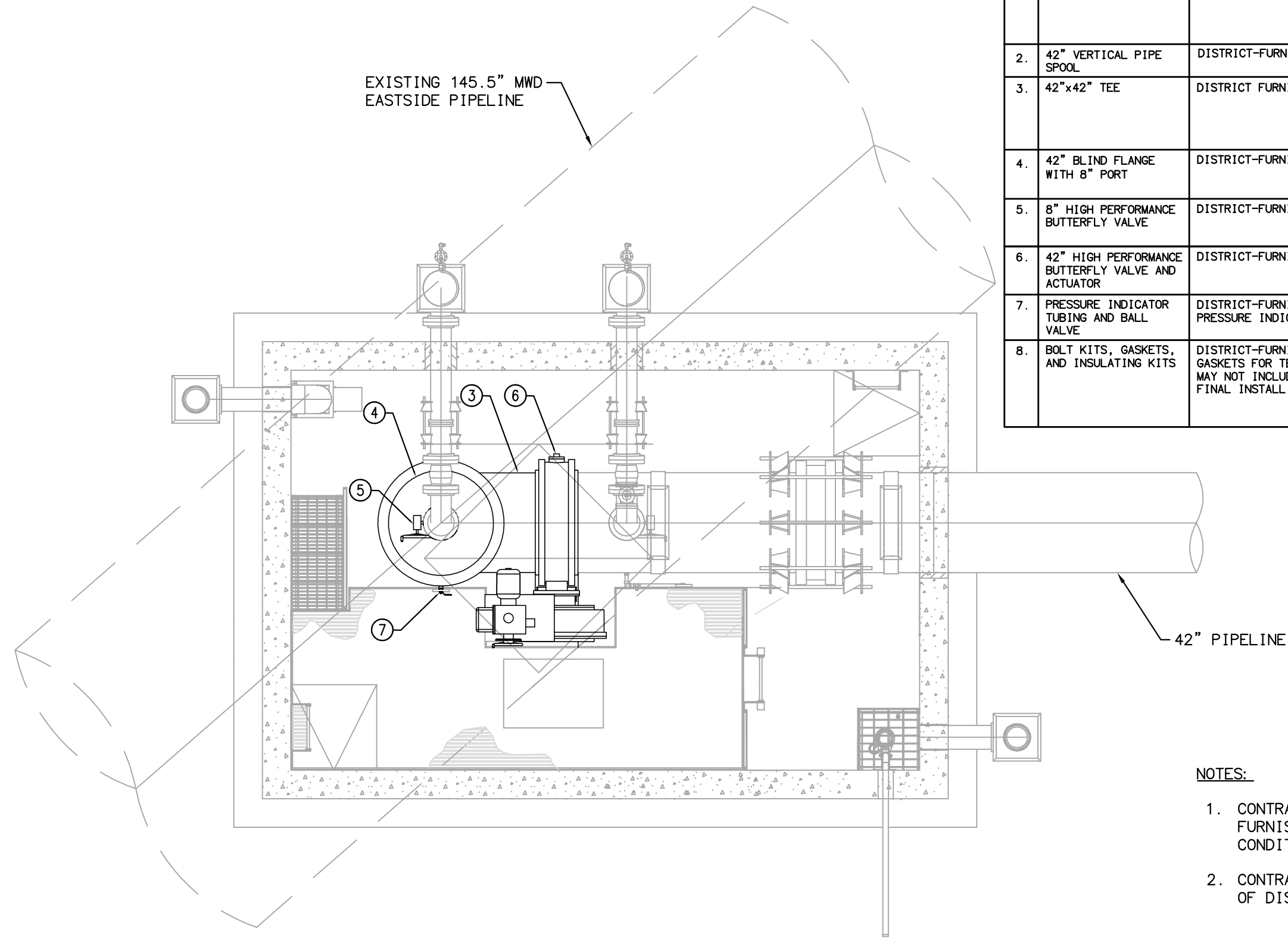


# **APPENDIX K**

## **Pre-Procurement Exhibit**

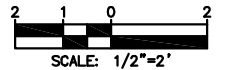
[PAGE LEFT INTENTIONALLY BLANK]



BILL OF MATERIALS			
ITEM NO.	DESCRIPTION	DISTRICT-FURNISHED NOTES	CONTRACTOR INSTALLATION NOTES
1.	REINFORCING COLLAR	DISTRICT-FURNISHED (LOOSE)	CONTRACTOR RESPONSIBLE FOR FINAL FITMENT OF COLLAR TO EX STEEL CYLINDER OD.
2.	42" VERTICAL PIPE SPOOL	DISTRICT-FURNISHED (LONG)	CUT TO FIT AS NECESSARY.
3.	42"x42" TEE	DISTRICT FURNISHED	INSTALL FITTINGS, TUBING, AND ISOLATION VALVE ON TEE AT A MINIMUM PRIOR TO RETURN TO SERVICE.
4.	42" BLIND FLANGE WITH 8" PORT	DISTRICT-FURNISHED	
5.	8" HIGH PERFORMANCE BUTTERFLY VALVE	DISTRICT-FURNISHED	
6.	42" HIGH PERFORMANCE BUTTERFLY VALVE AND ACTUATOR	DISTRICT-FURNISHED	
7.	PRESSURE INDICATOR TUBING AND BALL VALVE	DISTRICT-FURNISHED. DOES NOT INCLUDE PRESSURE INDICATOR.	
8.	BOLT KITS, GASKETS, AND INSULATING KITS	DISTRICT-FURNISHED. MAY INCLUDE GASKETS FOR TEMPORARY BLIND FLANGING. MAY NOT INCLUDE ALL MATERIALS FOR FINAL INSTALL.	CONTRACTOR RESPONSIBLE FOR REMOVING ANY TEMPORARY BLIND FLANGES AND GASKETS, AND REPLACING GASKETS AND BOLT KITS AS NECESSARY FOR FINAL INSTALLATION.

**NOTES:**

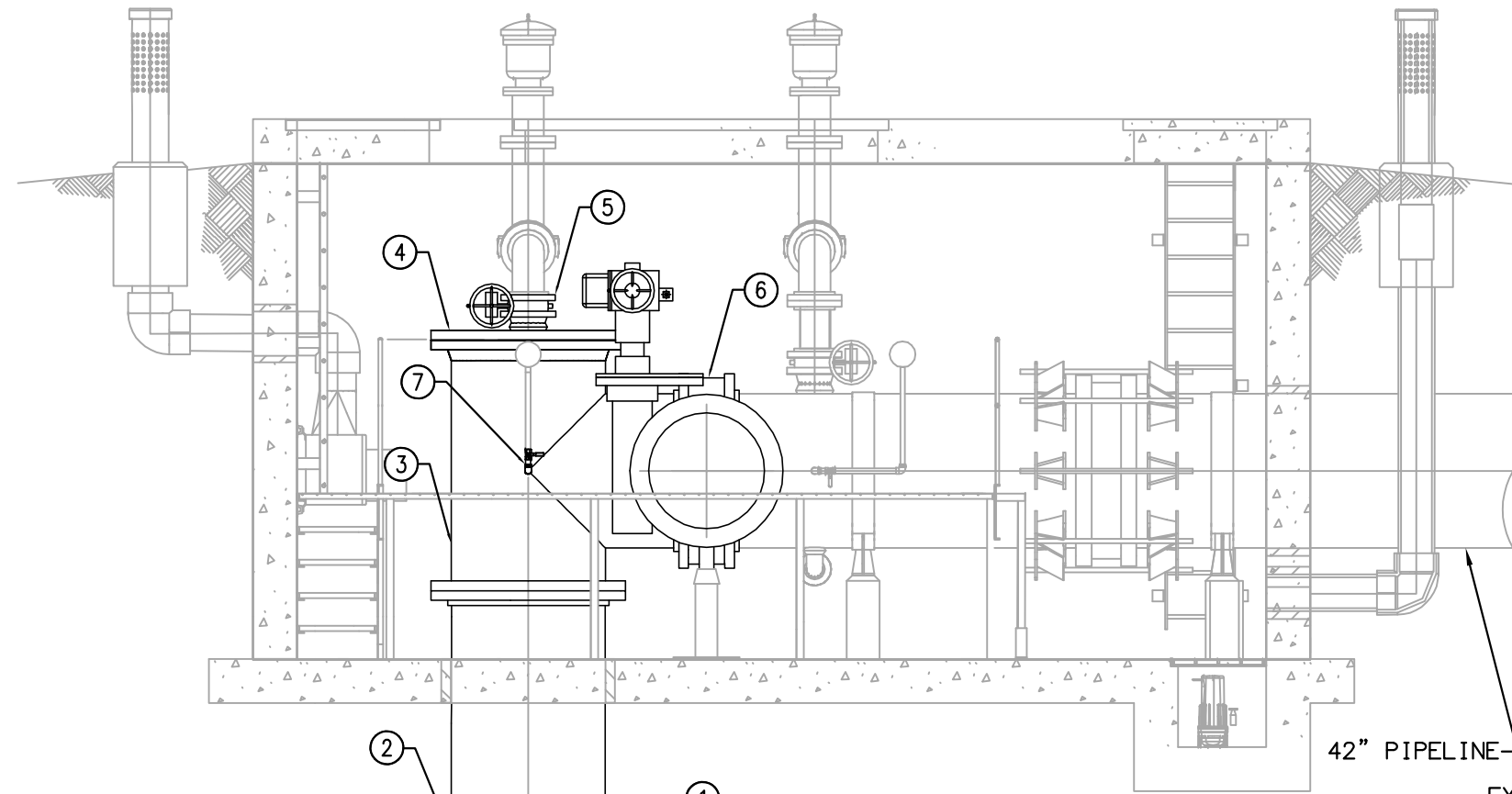
- CONTRACTOR SHALL TAKE POSSESSION OF DISTRICT FURNISHED ITEMS AS INDICATED IN SPECIAL CONDITIONS.
- CONTRACTOR IS RESPONSIBLE FOR THE INSTALLATION OF DISTRICT FURNISHED MATERIALS.



**WARNING**  
 IF THIS BAR DOES NOT MEASURE 1" @ FULL SIZE OR 1/2" @ HALF SIZE THEN DRAWING IS NOT TO SCALE.

<b>Michael Baker INTERNATIONAL</b> 5 Hutton Centre Drive, Suite 600 Santa Ana CA 92707 Phone: (949) 472-3605 MBAKERINTL.COM	<b>EM-26 FLOW CONTROL AND CHLORINATION FACILITY</b>	<b>EXHIBIT</b>
	<b>EASTSIDE PIPELINE CONNECTION PREPROCUREMENT</b>	<b>1 OF 2</b>

H:\PDATA\185009\CADD\WATER\EXHIBITS\M-4.DWG BEIK, JUDY 9/10/2021 8:22 AM



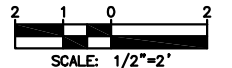
BILL OF MATERIALS			
ITEM NO.	DESCRIPTION	DISTRICT-FURNISHED NOTES	CONTRACTOR INSTALLATION NOTES
1.	REINFORCING COLLAR	DISTRICT-FURNISHED (LOOSE)	CONTRACTOR RESPONSIBLE FOR FINAL FITMENT OF COLLAR TO EX STEEL CYLINDER OD.
2.	42" VERTICAL PIPE SPOOL	DISTRICT-FURNISHED (LONG)	CUT TO FIT AS NECESSARY.
3.	42"x42" TEE	DISTRICT FURNISHED	INSTALL FITTINGS, TUBING, AND ISOLATION VALVE ON TEE AT A MINIMUM PRIOR TO RETURN TO SERVICE.
4.	42" BLIND FLANGE WITH 8" PORT	DISTRICT-FURNISHED	
5.	8" HIGH PERFORMANCE BUTTERFLY VALVE	DISTRICT-FURNISHED	
6.	42" HIGH PERFORMANCE BUTTERFLY VALVE AND ACTUATOR	DISTRICT-FURNISHED	
7.	PRESSURE INDICATOR TUBING AND BALL VALVE	DISTRICT-FURNISHED. DOES NOT INCLUDE PRESSURE INDICATOR.	
8.	BOLT KITS, GASKETS, AND INSULATING KITS	DISTRICT-FURNISHED. MAY INCLUDE GASKETS FOR TEMPORARY BLIND FLANGING. MAY NOT INCLUDE ALL MATERIALS FOR FINAL INSTALL.	CONTRACTOR RESPONSIBLE FOR REMOVING ANY TEMPORARY BLIND FLANGES AND GASKETS, AND REPLACING GASKETS AND BOLT KITS AS NECESSARY FOR FINAL INSTALLATION.

42" PIPELINE

EXISTING 145.5" MWD EASTSIDE PIPELINE

**NOTES:**

1. CONTRACTOR SHALL TAKE POSSESSION OF DISTRICT FURNISHED ITEMS AS INDICATED IN SPECIAL CONDITIONS.
2. CONTRACTOR IS RESPONSIBLE FOR THE INSTALLATION OF DISTRICT FURNISHED MATERIALS.



**WARNING**  
 IF THIS BAR DOES NOT MEASURE 1" @ FULL SIZE OR 1/2" @ HALF SIZE THEN DRAWING IS NOT TO SCALE.