

APPENDIX C

APG Neuros Blower Technical Support

[PAGE LEFT INTENTIONALLY BLANK]

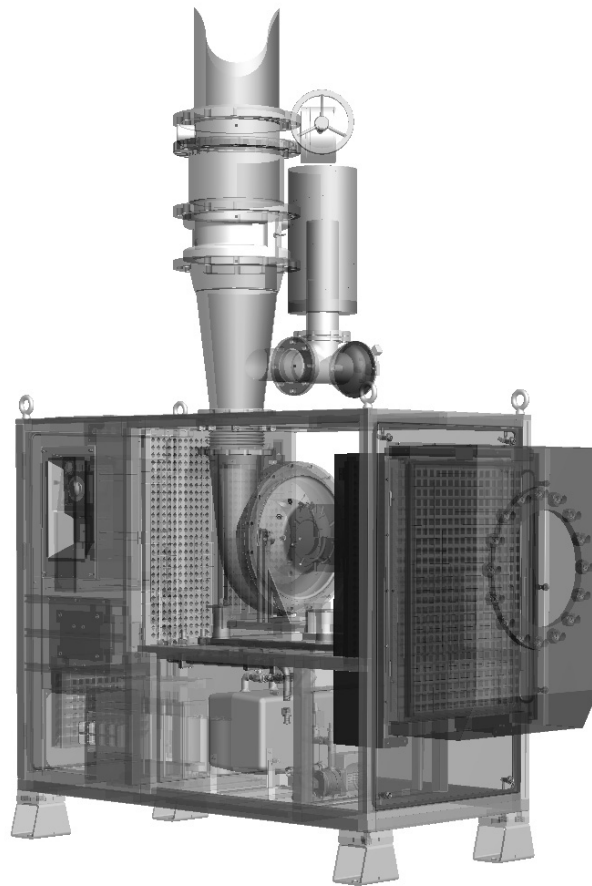


**Eastern Municipal Water District
Perris, CA
Regional Water Reclamation Facilities**

**Scope of Supply
Proposal # 10480-092118**

**Submitted by:
APGN Inc. *dba* APG – Neuros**

Issued on: March 4th, 2019



APG-Neuros High Speed Turbo Blower

APGN Inc. *dba* APG-Neuros
1270 Michèle-Bohec, Blainville, Québec J7C 5S4, Canada, Tel : (450) 939-0799
www.apg-neuros.com



March 4th, 2019

Mr. Bryce Danker
Hazen
7700 Irvine Center Drive, Suite 200
Irvine, California 92618

Subject: Proposal for the Technical Services of the High-Speed Turbo Blowers (HSTB) for San Jacinto, Moreno Valle and Temecula (EMWD)

Dear Mr. Danker,

APG-Neuros is pleased to submit its proposal for the Technical Support Services of the high speed turbo blowers to be delivered to EMWD. This proposal is in compliance with the document **Specifications RWRf Blower Electrification Project – APG-Neuros Price Proposal** dated **September 2018**.

APG-Neuros Turbo Blower Scope of Supply:

A. Technical Support:

- APG-Neuros will provide services of a qualified technician on site for start-up, field testing and operator training for a total of 20 days, performed in 6 trips to Temecula Valley Regional Water Reclamation Facility [Section 11183 – 1.03. B & Section 11000 – 3.03. D](#). This includes start-up services for the new MCP.
- APG-Neuros will provide services of a qualified technician on site for start-up, field testing and operator training for a total of 13 days, performed in 5 trips to San Jacinto Valley Regional Water Reclamation Facility [Section 11184 – 1.03. B & Section 11000 – 3.03. D](#). This includes integration of the new blower unit with the existing MCP.
- APG-Neuros will provide services of a qualified technician on site for start-up, field testing and operator training for a total of 12 days, performed in 4 trips to Moreno Valley Regional Water Reclamation Facility [Section 11184 – 1.03. B & Section 11000 – 3.03. D](#). This includes start-up services for the new MCP.

B. Price.....USD 90,000.....

We appreciate the opportunity to quote APG-Neuros Turbo Blowers and look forward to a successful project.

APG-Neuros Proprietary Information Provided in Strict Confidence

For any questions regarding Sales, Procurement, Service and Warranty information, please contact:

APG-Neuros Sales Department
1270 Michèle-Bohec
Blainville, Québec J7C 5S4
Phone 450-939-0799
Fax 450-939-2115
sales@apg-neuros.com

APG-Neuros Proprietary Information Provided in Strict Confidence

[PAGE LEFT INTENTIONALLY BLANK]