



November 30, 2020

ADDENDUM NO. 2 TO SPECIFICATION NO. 1400S
SKY CANYON SEWER PROJECT

This addendum to the specifications is for the purpose of adding, clarifying, or deleting certain information to the construction drawings and project specifications as follows:

NOTICE INVITING BID

REVISE NIB-1. Receipt of Bids in it's entirety and replace with the following:

NIB-1. Receipt of Bids. Electronic proposals (bids) for this project to be emailed to eichpera@emwd.org no later than **5:00 p.m., FRIDAY, DECEMBER 4, 2020** Original Bid Bond and attachments to be mailed to the District within that week. You are NOT to drop them off at the District.

Due to COVID-19 the District is closed to public access; therefore, bids will not be publicly opened. The Preliminary Bid Summary will be posted on the website www.emwd.org no later than 10:00 A.M. **Monday, December 7, 2020.**

Fed Ex Bid Bond to: EMWD, 2270 Trumble Road, Perris, CA, 92570
Mail Bid Bond to: EMWD, P O Box 8300, Perris, CA 92572-8300

All bids submitted will become the property of EMWD and subject to disclosure under the Public Records Act. All bids will be posted on the website www.emwd.org approximately 10 days from bid opening.

SECTION P – CONTRACT DRAWINGS

REPLACE the following drawings (revisions are shown as clouded areas):
D-59749 (Sheet C-9) Sewer Manhole Details

QUESTIONS & ANSWERS

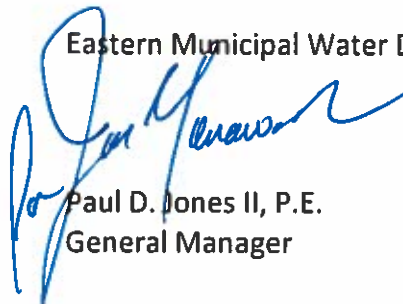
Armorock

- Q1. Spec and polymer concrete detail updated in Addendum #1 states that in order to use a 3" wall (our standard design) the contractor will have to add at least 850 cubic feet of flowable fill (concrete) in the field to match because of buoyancy concerns. Armorock can meet the safety factor of 2.0 for this project with buoyancy slabs that are precast, thereby eliminating the need for the flowable fill. Please advise.
- A1. In lieu of minimum volume of fill concrete, Contractor may provide buoyancy resistance calculations demonstrating that provided manholes have a minimum factor of safety of 2.0 against buoyant uplift. Calculations shall be signed and sealed by a State of California registered professional engineer. Revised drawing is provided as attached to this addendum.

Twining, Inc.

- Q1. How does the District plan to perform materials testing during construction?
- A1. Material inspection requirement is provided in Specification Section 00062.

Eastern Municipal Water District



Paul D. Jones II, P.E.
General Manager

PE: SL by ELJ
PM: ELJ
DFE: SMW
DE: — ELJ

PDJ:SL:ae

ATTACHMENTS: Drawing D-59749 (Revised)

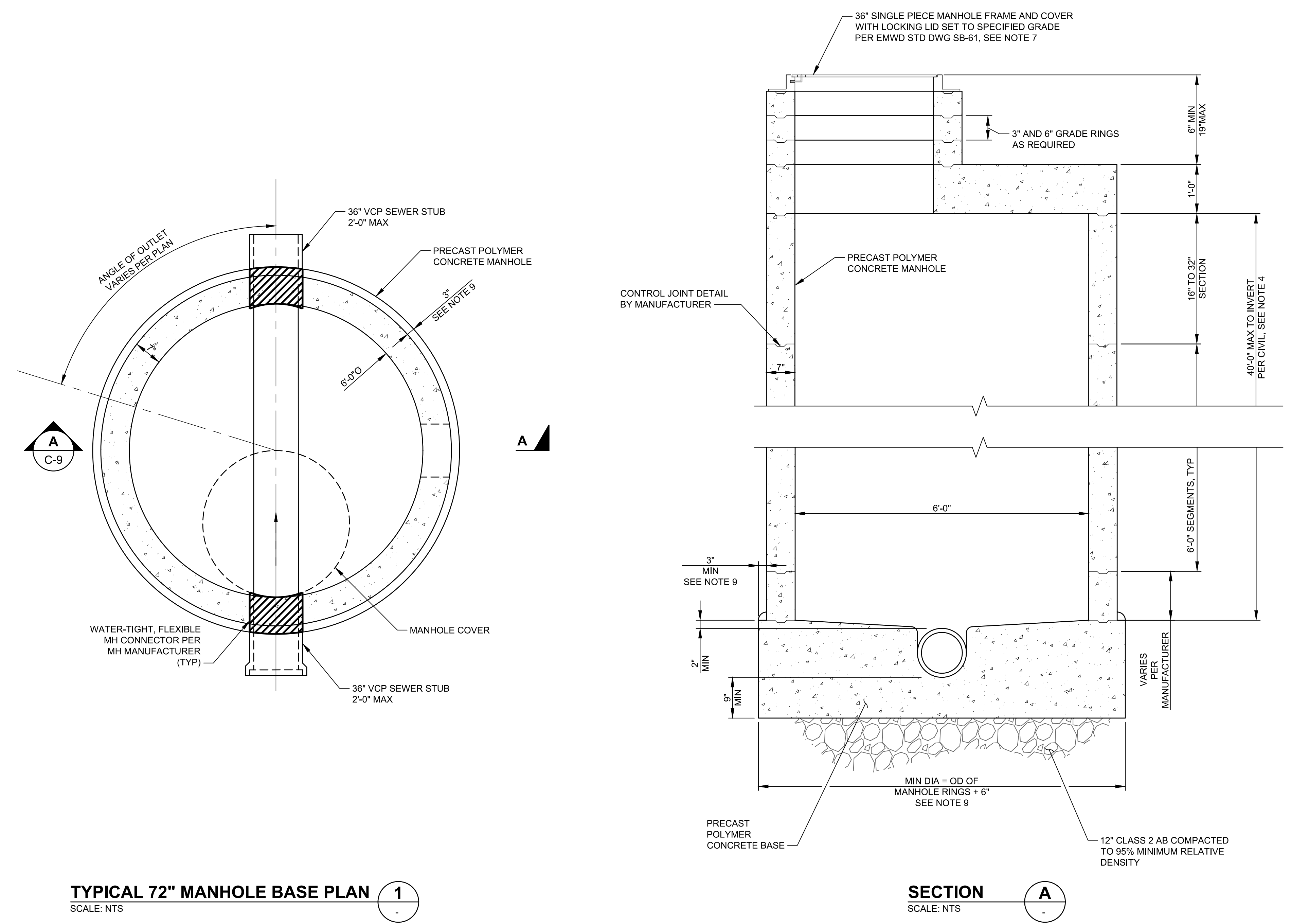
1

NOTES:

1. PRECAST REINFORCED POLYMER CONCRETE MANHOLES SHALL CONFORM TO SPECIFICATION SECTION 02081, APPLICABLE DIMENSIONAL REQUIREMENTS OF ASTM C478 OR ASTM D6783 AND:
 - 1.1. SHALL BE DESIGNED FOR AASHTO H-20 LOADING
 - 1.2. CONCRETE SHALL BE COMPACTLY VIBRATE, CENTRIFUGALLY SPUN, OR MECHANICALLY TAMPED.
 - 1.3. REFER TO SPECIFICATION SECTION 02080 FOR POLYMER CONCRETE REQUIREMENTS.
2. PROVIDE FULL DEPTH TROUGH.
3. ALL MANHOLE TOPS SHALL BE INSTALLED WITH THE MANHOLE COVER OVER THE UPSTREAM INLET, EXCEPT AS OTHERWISE SPECIFIED.
4. MANHOLE DEPTHS REACH UP TO 40'-0" PER CIVIL DRAWINGS. FOUNDATION OF PRECAST MANHOLE SHALL BE DESIGNED TO RESIST UPLIFT CAUSED BY THE BUOYANT FORCES FROM THE WATER TABLE.
5. BACKFILL ADJACENT TO MANHOLE WITH CDF PER SPECIFICATIONS.
6. PRECAST POLYMER CONCRETE MANUFACTURER SHALL PROVIDE A MINIMUM VOLUME OF 850 FT³ TO PREVENT UPLIFT CAUSED BY GROUNDWATER LEVELS. WHERE CONTRACTOR SELECTS TO PROVIDE MANHOLES WITH THICKNESS LESS THAN SHOWN IN SECTION, CONTRACTOR SHALL INCREASE THE VOLUME OF CONCRETE FOR BUOYANCY RESISTANCE EQUALLY TO REDUCED VOLUME OF THE MANHOLE CONCRETE.

IN LIEU OF MINIMUM OF FILL CONCRETE, CONTRACTOR MAY PROVIDE BUOYANCY RESISTANCE CALCULATIONS DEMONSTRATING THAT PROVIDED MANHOLES HAVE A MINIMUM FACTOR OF SAFETY OF 2.0 AGAINST BUOYANT UPLIFT. CALCULATIONS SHALL BE SIGNED AND SEALED BY A CALIFORNIA PROFESSIONAL ENGINEER.
7. CONTRACTOR SHALL PROVIDE EJ 3800 SERIES COMPOSITE BASED COVERS WITH TITUS TWISTLIFT SECURITY LOCKS OR APPROVED EQUAL FOR POLYMER CONCRETE MANHOLES.
8. ALL MANHOLES SHALL BE POLYMER CONCRETE MANHOLES.
9. 3" MINIMUM WITH CONTROL JOINT FOR PRECAST CONCRETE MANHOLES AND ZERO EXTENSION FOR BASE WITHOUT CONTROL JOINTS FOR PRECAST REINFORCED POLYMER CONCRETE MANHOLES.

2



P:\kce-pw-bentley.com\kce-pw\Documents\Clients\Eastern Municipal Water District\Projects\Sky Canyon Sewer - 1944219.001\10-Design\10.06-Drawings\Civil\1944219.00-C-09

SPEC. No. 1400 S

Underground Service Alert
Call: TOLL FREE 811
TWO WORKING DAYS BEFORE YOU DIG

VERIFY SCALES
BAR IS ONE INCH ON ORIGINAL DRAWING
0 1" SCALE BAR
IF NOT ONE INCH ON THIS SHEET, ADJUST SCALES ACCORDINGLY

PLANS PREPARED BY:
Kennedy/Jenks Consultants
38977 Sky Canyon Drive, Suite 100
Murrieta, CA 92563
(951) 375-5570
K/J JOB No. 1944219.00



REVISIONS				
NO.	DATE	INITIAL	DESCRIPTION	APP'D/DATE
1	11/30/20	PDS	ADDENDUM 2	
2	11/16/20	PDS	ADDENDUM 1	

APPROVED: *Thomas H...* 9/3/2020
DIRECTOR OF ENGINEERING
REFERENCES

EASTERN MUNICIPAL WATER DISTRICT
PROJECT MANAGER: *SJM* 8/29/2020
DATE

	DATE
DESIGNED RMH	8/20/20
DRAWN HCS	8/20/20
TRACED	
CHECKED ALW	8/20/20
SUBMITTED	

EASTERN MUNICIPAL WATER DISTRICT
RIVERSIDE COUNTY, CALIFORNIA
SKY CANYON SEWER PROJECT
SKY CANYON DRIVE
SEWER MANHOLE DETAILS

I.D. J-25
S.A. 34
W.O. 419110
C.O.
COORD.
SHT. 12 OF 17
D-59749
C-9

APPROVALS

PROJECT ENGR.	INITIAL	DATE
INSPECTION	BAM	01/03/20
WTR. OPERATIONS	MM	8/31/20
MAINTENANCE	CB	8/27/20

SCALE: AS SHOWN