

EASTERN MUNICIPAL WATER DISTRICT

RIVERSIDE COUNTY, CALIFORNIA

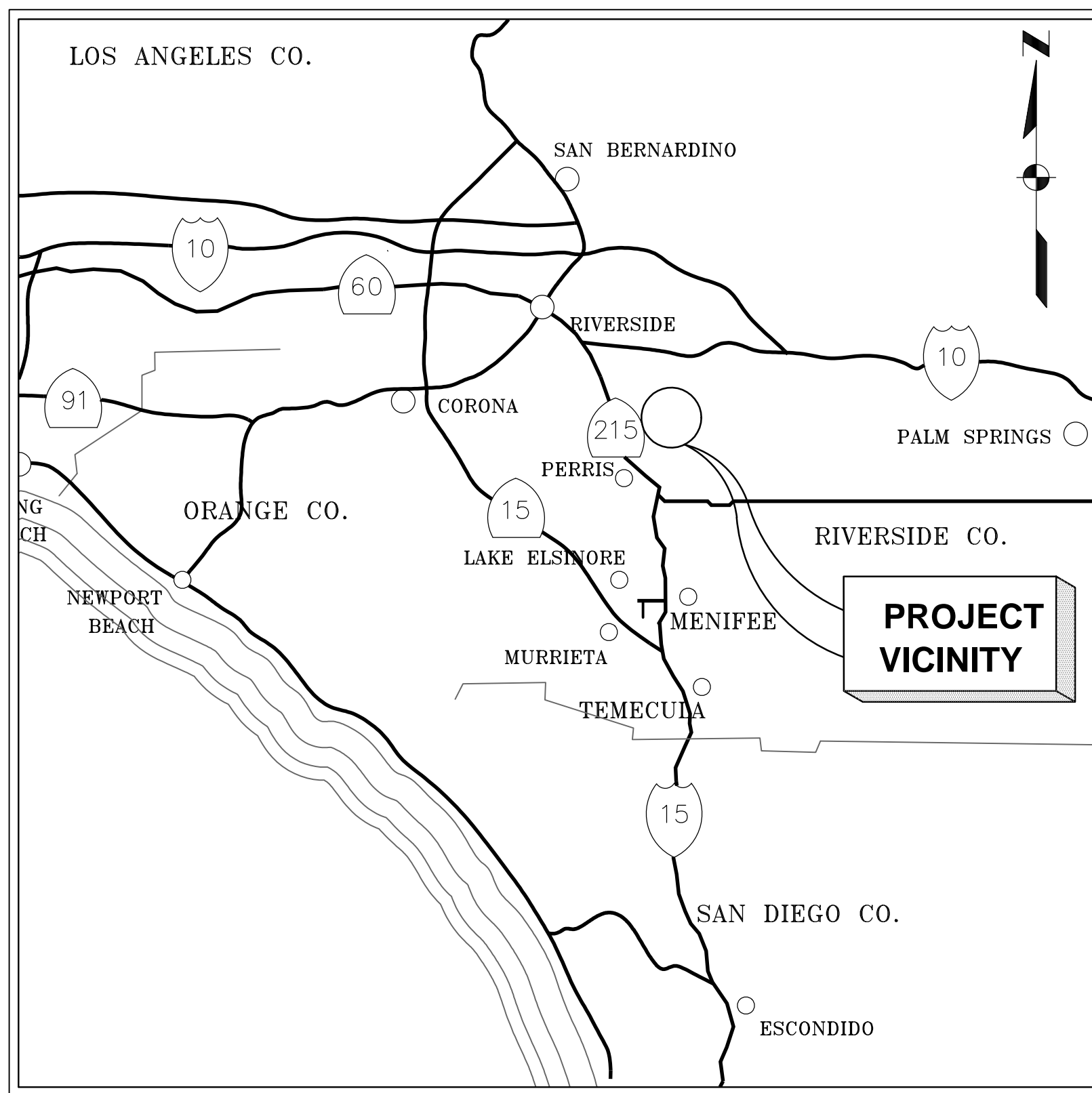
WELL 204 SEWER CONNECTION



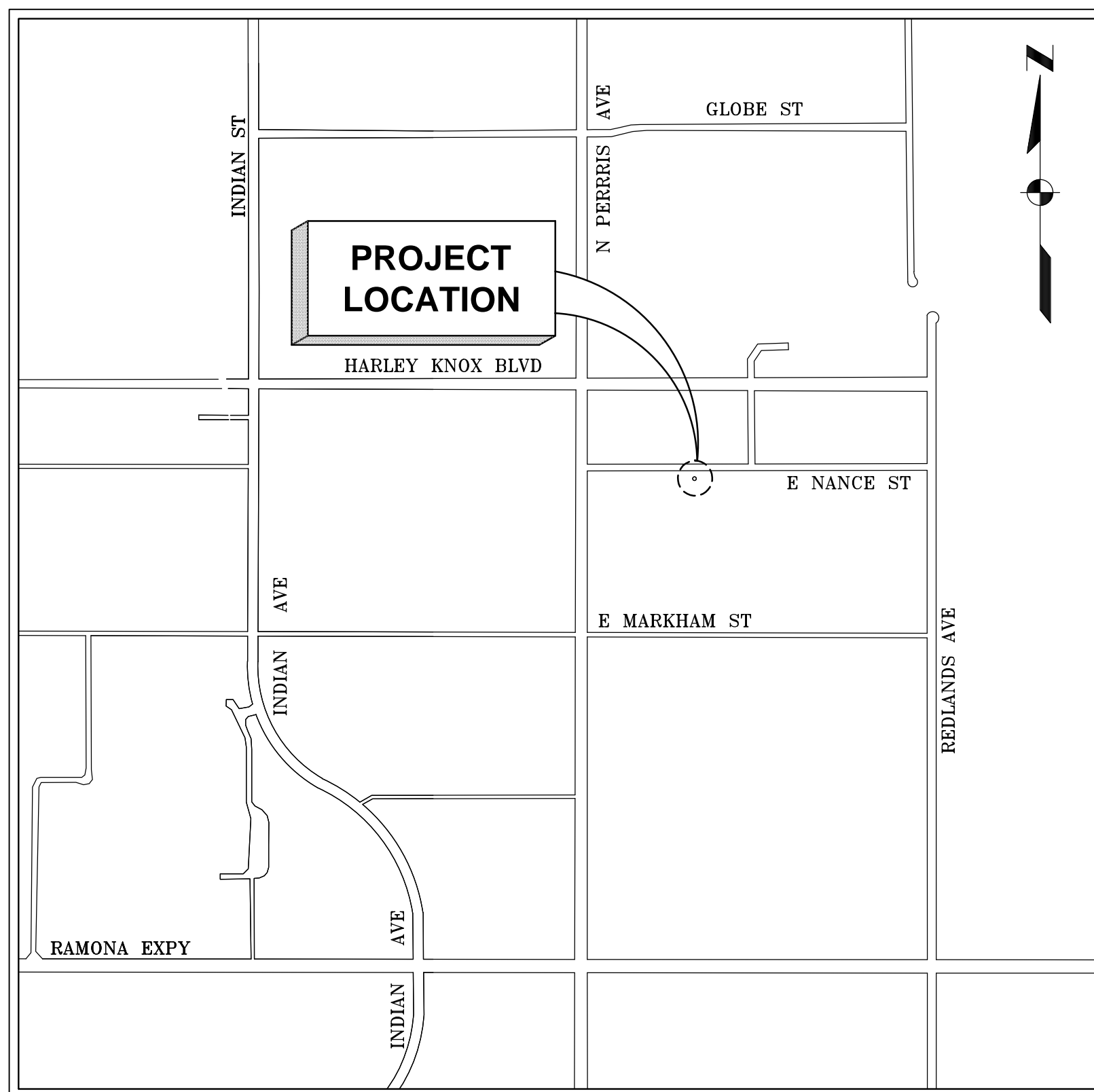
BOARD OF DIRECTORS

| | |
|-----------------|----------------------|
| PRESIDENT | RONALD W. SULLIVAN |
| VICE PRESIDENT | PHILIP E. PAULE |
| BOARD DIRECTOR | STEPHEN J. CORONA |
| BOARD DIRECTOR | DAVID J. SLAWSON |
| BOARD DIRECTOR | RANDY A. RECORD |
| GENERAL MANAGER | PAUL D. JONES II, PE |

| DWG. NO. | SHEET NO. | FILE NO. | DESCRIPTION |
|----------|-----------|----------|---|
| G-01 | 01 | D-59932 | TITLE SHEET, VICINITY MAP, LOCATION MAP, AND LIST OF DRAWINGS |
| C-01 | 02 | D-59933 | CIVIL GENERAL NOTES, LEGEND & ABBREVIATIONS |
| C-02 | 03 | D-59934 | CIVIL PLAN AND PROFILE |
| C-03 | 04 | D-59935 | CIVIL DETAILS |



VICINITY MAP
SCALE: NTS



LOCATION MAP
SCALE: NTS

APPROVED BY: _____ DATE _____
 JOE MOUAWAD, P.E.
 ASSISTANT GENERAL MANAGER
 PLANNING, ENGINEERING & CONSTRUCTION

DECLARATION OF RESPONSIBLE CHARGE

I HEREBY DECLARE THAT I AM THE ENGINEER OF WORK FOR THIS PROJECT, THAT I HAVE EXERCISED RESPONSIBLE CHARGE OVER DESIGN OF THIS PROJECT AS DEFINED IN SECTION 6703 OF THE BUSINESS AND PROFESSIONS CODE, AND THAT THE DESIGN IS CONSISTENT WITH CURRENT STANDARDS.

I UNDERSTAND THAT THE CHECK OF PROJECT DRAWINGS AND SPECIFICATIONS OF EASTERN MUNICIPAL WATER DISTRICT IS CONFINED TO A REVIEW ONLY AND DOES NOT RELIEVE ME, AS ENGINEER OF WORK, OF MY RESPONSIBILITIES FOR PROJECT DESIGN.

BOUNDARY

KLEINFELDER INC. DID NOT PERFORM A BOUNDARY SURVEY. THE BOUNDARY SHOWN HEREON IS BASED UPON BEST AVAILABLE RECORD DATA.

SOURCE OF TOPOGRAPHY

VERTICAL DATUM IS SHOWN IN EGM96 AND IS BASED UPON BEST AVAILABLE TOPOGRAPHIC INFORMATION. THIS INFORMATION WAS NOT OBTAINED BY A LICENSED SURVEYOR, THEREFORE ELEVATIONS SHOWN ARE APPROXIMATE, AND SHALL BE VERIFIED IN THE FIELD BY THE CONTRACTOR.

BENCHMARK

PLANS ARE BASED UPON BEST AVAILABLE RECORD DRAWING AND GIS INFORMATION. NO BENCHMARK WAS ESTABLISHED. CONTRACTOR SHALL VERIFY LOCATION OF ALL PROPOSED AND EXISTING UTILITIES IN THE FIELD, PRIOR TO CONSTRUCTION.

BASIS OF BEARING

HORIZONTAL DATUM IS NAD83 AND BASED UPON BEST AVAILABLE GIS INFORMATION. THIS INFORMATION WAS NOT OBTAINED BY A LICENSED SURVEYOR, THEREFORE COORDINATES SHOWN ARE APPROXIMATE, AND SHALL BE VERIFIED IN THE FIELD BY THE CONTRACTOR.

Kathy Haynes
 KATHY HAYNES

C.E. 51548

07/07/2020
 DATE

1627 PZ

SPEC. No. 1414W

| <p>Underground Service Alert</p> <p>Call: TOLL FREE 811</p> <p>TWO WORKING DAYS BEFORE YOU DIG</p> | <p>VERIFY SCALES</p> <p>BAR IS ONE INCH ON ORIGINAL DRAWING</p> <p>0 1"</p> <p>IF NOT ONE INCH ON THIS SHEET, ADJUST SCALES ACCORDINGLY</p> | <p>PLANS PREPARED BY:</p> <p>KLF PROJECT #: 20203517.001A</p> | | <p>REVISIONS</p> <table border="1"> <thead> <tr> <th>NO.</th> <th>DATE</th> <th>INITIAL</th> <th>DESCRIPTION</th> <th>APPV'D/DATE</th> </tr> </thead> <tbody> <tr><td> </td><td> </td><td> </td><td> </td><td> </td></tr> <tr><td> </td><td> </td><td> </td><td> </td><td> </td></tr> <tr><td> </td><td> </td><td> </td><td> </td><td> </td></tr> </tbody> </table> | NO. | DATE | INITIAL | DESCRIPTION | APPV'D/DATE | | | | | | | | | | | | | | | | <p>APPROVED BY:</p> <p>DIRECTOR OF ENGINEERING _____ DATE _____</p> <p>REFERENCES</p> | <p>EASTERN MUNICIPAL WATER DISTRICT</p> <p>PROJECT MANAGER _____ DATE _____</p> <p>APPROVALS</p> <table border="1"> <thead> <tr> <th>PROJECT ENGR.</th> <th>INSPECTION</th> <th>WTR. OPERATIONS</th> <th>MAINTENANCE</th> </tr> </thead> <tbody> <tr> <td> </td> <td> </td> <td> </td> <td> </td> </tr> </tbody> </table> | PROJECT ENGR. | INSPECTION | WTR. OPERATIONS | MAINTENANCE | | | | | <table border="1"> <thead> <tr> <th>DESIGNED</th> <th>DRAWN</th> <th>TRACED</th> <th>CHECKED</th> <th>SUBMITTED</th> </tr> </thead> <tbody> <tr> <td>BW</td> <td>AN</td> <td>AN</td> <td>RK</td> <td>RK</td> </tr> </tbody> </table> <p>DATE: 7/2020</p> <p>SCALE: AS SHOWN</p> | DESIGNED | DRAWN | TRACED | CHECKED | SUBMITTED | BW | AN | AN | RK | RK | <p>EASTERN MUNICIPAL WATER DISTRICT</p> <p>RIVERSIDE COUNTY, CALIFORNIA</p> <p>WELL 204 SEWER CONNECTION</p> <p>TITLE SHEET, VICINITY MAP, LOCATION MAP, AND LIST OF DRAWINGS</p> | <table border="1"> <tr><td>I.D. 13</td></tr> <tr><td>S.A. 41</td></tr> <tr><td>W.O. 413780</td></tr> <tr><td>C.O.</td></tr> <tr><td>COORD. 49-D-39</td></tr> <tr><td>SHT. 1 OF 4</td></tr> <tr><td>D-59932</td></tr> <tr><td>G-01</td></tr> </table> | I.D. 13 | S.A. 41 | W.O. 413780 | C.O. | COORD. 49-D-39 | SHT. 1 OF 4 | D-59932 | G-01 |
|--|---|---|-------------|---|------|---------|-------------|-------------|-------------|--|--|--|--|--|--|--|--|--|--|--|--|--|--|--|---|---|---------------|------------|-----------------|-------------|--|--|--|--|---|----------|-------|--------|---------|-----------|----|----|----|----|----|---|--|---------|---------|-------------|------|----------------|-------------|---------|------|
| | | | | NO. | DATE | INITIAL | DESCRIPTION | APPV'D/DATE | | | | | | | | | | | | | | | | | | | | | | | | | | | | | | | | | | | | | | | | | | | | | | | |
| | | | | | | | | | | | | | | | | | | | | | | | | | | | | | | | | | | | | | | | | | | | | | | | | | | | | | | | |
| | | | | | | | | | | | | | | | | | | | | | | | | | | | | | | | | | | | | | | | | | | | | | | | | | | | | | | | |
| | | | | | | | | | | | | | | | | | | | | | | | | | | | | | | | | | | | | | | | | | | | | | | | | | | | | | | | |
| PROJECT ENGR. | INSPECTION | WTR. OPERATIONS | MAINTENANCE | | | | | | | | | | | | | | | | | | | | | | | | | | | | | | | | | | | | | | | | | | | | | | | | | | | | |
| | | | | | | | | | | | | | | | | | | | | | | | | | | | | | | | | | | | | | | | | | | | | | | | | | | | | | | | |
| DESIGNED | DRAWN | TRACED | CHECKED | SUBMITTED | | | | | | | | | | | | | | | | | | | | | | | | | | | | | | | | | | | | | | | | | | | | | | | | | | | |
| BW | AN | AN | RK | RK | | | | | | | | | | | | | | | | | | | | | | | | | | | | | | | | | | | | | | | | | | | | | | | | | | | |
| I.D. 13 | | | | | | | | | | | | | | | | | | | | | | | | | | | | | | | | | | | | | | | | | | | | | | | | | | | | | | | |
| S.A. 41 | | | | | | | | | | | | | | | | | | | | | | | | | | | | | | | | | | | | | | | | | | | | | | | | | | | | | | | |
| W.O. 413780 | | | | | | | | | | | | | | | | | | | | | | | | | | | | | | | | | | | | | | | | | | | | | | | | | | | | | | | |
| C.O. | | | | | | | | | | | | | | | | | | | | | | | | | | | | | | | | | | | | | | | | | | | | | | | | | | | | | | | |
| COORD. 49-D-39 | | | | | | | | | | | | | | | | | | | | | | | | | | | | | | | | | | | | | | | | | | | | | | | | | | | | | | | |
| SHT. 1 OF 4 | | | | | | | | | | | | | | | | | | | | | | | | | | | | | | | | | | | | | | | | | | | | | | | | | | | | | | | |
| D-59932 | | | | | | | | | | | | | | | | | | | | | | | | | | | | | | | | | | | | | | | | | | | | | | | | | | | | | | | |
| G-01 | | | | | | | | | | | | | | | | | | | | | | | | | | | | | | | | | | | | | | | | | | | | | | | | | | | | | | | |

GENERAL NOTES

- AT LEAST 48 HOURS PRIOR TO COMMENCING CONSTRUCTION, CONTRACTOR SHALL NOTIFY:
 - EASTERN MUNICIPAL WATER DISTRICT, FIELD ENGINEERING DEPARTMENT, (951)928-3777 EXT 4830
 - CITY OF PERRIS (951)943-5003
- VERTICAL DATUM WAS BASED UPON BEST AVAILABLE TOPOGRAPHIC INFORMATION, EGM96. THIS INFORMATION WAS NOT OBTAINED BY A LICENSED SURVEYOR, THEREFORE ELEVATIONS SHOWN ARE APPROXIMATE, AND SHALL BE VERIFIED IN THE FIELD BY THE CONTRACTOR.
- HORIZONTAL DATUM WAS BASED UPON BEST AVAILABLE GIS, NAD83. THIS INFORMATION WAS NOT OBTAINED BY A LICENSED SURVEYOR, THEREFORE COORDIANTES SHOWN ARE APPROXIMATE, AND SHALL BE VERIFIED IN THE FIELD BY THE CONTRACTOR.
- THE UTILITY INFORMATION SHOWN WAS COMPILED BASED ON BEST AVAILABLE RECORD DRAWINGS, POTHOLING, AND GIS DATA. THE LOCATION OF UNDERGROUND STRUCTURES ARE APPROXIMATE ONLY AND MAY VARY FROM THE LOCATIONS SHOWN HEREON. ADDITIONAL UNDERGROUND UTILITIES AND/OR STRUCTURES MAY BE ENCOUNTERED. EXACT SIZE, MATERIAL, LOCATION, AND DEPTH OF EXISTING UTILITIES IN PROJECT VICINITY SHALL BE FIELD VERIFIED BY THE CONTRACTOR. RECORD DRAWINGS PREPARED BY THE CONTRACTOR FOR THIS PROJECT SHALL INCLUDE THIS FIELD VERIFIED INFORMATION. THE OWNER ASSUMES NO RESPONSIBILITY FOR THE ACCURACY OF THE EXISTING UTILITY INFORMATION.
- UNLESS OTHERWISE INDICATED, PROPERTY LINES AND LAYOUT LINES SHOWN WERE TAKEN FROM CITY ASSESSOR'S MAPS AND GIS AND ARE APPROXIMATE.
- CONTRACTOR SHALL BE RESPONSIBLE FOR PERFORMING TEST PITS OR POTHOLING TO LOCATE AND CONFIRM UTILITY SIZING AND MATERIAL AT ALL LOCATIONS, AND FOR LOCATING POTENTIAL UTILITY CONFLICTS. UTILITY INVESTIGATIONS SHALL BE PERFORMED WELL IN ADVANCE OF CONSTRUCTION OPERATIONS SO THAT ANY CHANGES IN ALIGNMENT AND/OR GRADE OF THE PROPOSED WORK OR UTILITY LOCATIONS MAY BE DETERMINED.
- WHERE EXISTING GAS, ELECTRIC, WATER, AND TELECOM UTILITIES CROSS THE PROPOSED TRENCH LIMITS, CONTRACTOR SHALL COORDINATE WITH THE UTILITY OWNER TO SUPPORT AND BE RESPONSIBLE FOR COSTS AND FEES. CONTRACTOR SHALL BE RESPONSIBLE FOR SUPPORTING THE EXISTING UTILITY IN ACCORDANCE WITH THE UTILITY OWNER'S REQUIREMENTS. KNOWN UTILITIES IN THE PROJECT AREA INCLUDE:

| | |
|----------------------------------|-------------------|
| DIGALERT | 811 |
| EASTERN MUNICIPAL WATER DISTRICT | (WATER AND SEWER) |
| SC GAS - HEMET (RAMONA) | (GAS) |
| UTILIQUEST FOR SCE DIST | (ELEC) |
| SCE TRANS TELECOM | (FIBER) |
| UTILIQUEST FOR FRONTIER | (FIBER) |
- WHERE TEMPORARY OR PERMANENT UTILITY RELOCATION IS REQUIRED, THE CONTRACTOR SHALL NOTIFY THE CITY 14 DAYS IN ADVANCE OF CONSTRUCTION AND SHALL COORDINATE THE NEW WORK WITH THE UTILITY RELOCATION.
- CONTRACTOR IS RESPONSIBLE FOR REPLACEMENT OF ANY SEWER, WATER OR DRAIN PIPING, OR STRUCTURE HE OR SHE DAMAGES. ALL COSTS OF REPLACEMENT SHALL BE THE RESPONSIBILITY OF THE CONTRACTOR. INTERMEDIATE COUPLINGS SHALL BE ALLOWED ON A TEMPORARY BASIS ONLY.
- PRIOR TO BEGINNING WORK, CONTRACTOR SHALL FIELD VERIFY EXISTING CONDITIONS AND REPORT ANY DISCREPANCIES BETWEEN THE PLANS AND THE ACTUAL CONDITIONS TO THE ENGINEER.
- CONSTRUCTION TRAILER(S), STOCKPILING LOCATIONS, AND EQUIPMENT STORAGE AREAS ARE THE CONTRACTOR'S RESPONSIBILITY AND SHALL BE COORDINATED WITH THE OWNER.
- THE CONTRACTOR SHALL CALL THE DIGALERT CENTER A MINIMUM OF 72 HOURS PRIOR TO ANY EXCAVATION, INCLUDING TEST PITS, TO LOCATE UNDERGROUND UTILITIES IN THE FIELD AND NOTIFY UTILITIES OF CONSTRUCTION.
- UPON COMPLETION OF THE WORK, ALL DISTURBED AREAS SHALL BE RESTORED TO A CONDITION EQUAL TO OR BETTER THAN THAT WHICH EXISTED PRIOR TO CONSTRUCTION.
- THE CONTRACTOR SHALL PROVIDE FOR THE SAFE AND ORDERLY PASSAGE OF PEDESTRIANS, BIKES, AND VEHICLES AT ALL TIMES IN AREAS UNDER CONSTRUCTION. TRAFFIC CONTROL PLANS SHALL BE PROVIDED BY CONTRACTOR PER WATCH STANDARD AND INCLUDED UNDER THE BASE BID AT NO ADDITIONAL COST TO THE OWNER.
- LANDSCAPED AREAS, FEATURES, AND PLANTINGS THAT ARE IMPACTED BY THE PROPOSED WORK SHALL BE REMOVED AND RESET TO MATCH THE EXISTING CONDITIONS. THIS WORK SHALL BE CONSIDERED INCIDENTAL TO THE PROJECT.
- THE CONTRACTOR SHALL TAKE CARE NOT TO DISTURB ANY PROPERTY BOUNDS OR LAYOUT BOUNDS. ANY BOUNDS DISTURBED BY CONSTRUCTION ACTIVITIES SHALL BE REPLACED BY A PROFESSIONAL LAND SURVEYOR LICENSED IN THE STATE OF CA AT NO ADDITIONAL COST TO THE CITY.
- THE CONTRACTOR SHALL EMPLOY A LICENSED SURVEYOR TO LAYOUT AND STAKE ALL OFF ROAD PIPELINES AND EASEMENTS.

SEWER NOTES

- SEWER SYSTEM CONSTRUCTION AND MATERIALS SHALL BE IN ACCORDANCE WITH EMWD'S STANDARDS AND SPECIFICATIONS
- GRAVITY SEWER PROFILE ELEVATIONS ARE TO FLOW LINE (CONDUIT INVERT.)
- CONTRACTOR HAS THE OPTION TO INSTALL PLASTIC OR VCP SEWERS EXCEPT WHERE SPECIFICALLY DESIGNATED ON PLANS PER EMWD STANDARDS AND SPECIFICATIONS
- MANHOLES SHALL BE CONSTRUCTED IN ACCORDANCE WITH STANDARD DRAWINGS SB-53,SB-58 AND SB-61, AS APPLICABLE. SEWER MAINS MAY BE LAID THROUGH THE MANHOLES AND USED AS A FORM FOR THE INVERT.
- MANHOLES OF DEPTHS LESS THAN FIVE FEET FROM FINISH STREET GRADE TO SEWER PIPE SHELF ARE TO BE CONSTRUCTED IN ACCORDANCE WITH STANDARD DRAWING SB-30
- PRIOR TO CONSTRUCTION OF SEWER, CONTRACTOR SHALL EXPOSE EXISTING SEWER AND VERIFY ITS EXISTING ELEVATION AND LOCATION. WHERE CONNECTING TO EXISTING MANHOLES AND INLET STUB OF PROPER SIZE EXISTS, NO ALTERATIONS SHALL BE MADE TO EXISTING MANHOLE BASE OR STUB EXCEPT AS SPECIFICALLY AUTHORIZED BY EMWD.
- ALL SEWER INLETS AT THE MANHOLE SHALL BE SUCH THAT ITS CROWN SHALL BE LEVEL WITH THE CROWN OF THE OUTLET PIPE, AT THEIR PROJECTIONS TO THE MANHOLE CENTERLINE.
- RECONSTRUCTION OF EXISTING MANHOLES SHALL BE SCHEDULED AT THE CONVENIENCE OF EMWD AND SHALL BE COMPLETED WITHIN FIVE WORKING DAYS FOLLOWING ITS COMMENCEMENT.
- THE CONTRACTOR IS ADVISED THAT WORK ON THIS PROJECT MAY INVOLVE WORKING IN A CONFINED AIR SPACE. CONTRACTOR SHALL BE RESPONSIBLE FOR "CONFINED AIR SPACE" ARTICLE 108, TITLE 8, CALIFORNIA ADMINISTRATIVE CODE.
- WHERE GROUNDWATER IS ENCOUNTERED, ALL VCP PIPE SHALL BE TREATED FOR ADSORPTION RESISTANCE PER EMWD'S SPECIFICATIONS.
- BACKWATER VALVES SHALL BE INSTALLED PER SECTION 710.1 OF THE UNIFORM PLUMBING CODE.
- ALL PIPE ZONE BEDDING & TRENCH BACKFILL ARE TO BE PER STANDARD DRAWING SB-157, SB-158 AND SB-159.
- WHEREVER FEASIBLE, SEWERS SHALL BE LAID AT A MINIMUM OF 10 FEET HORIZONTALLY FROM ANY EXISTING OR PROPOSED WATER MAIN.
- WHENEVER SEWERS MUST CROSS UNDER WATER MAINS, THE SEWER SHOULD BE LAID AT SUCH AN ELEVATION THAT THE CROWN OF THE SEWER IS AT LEAST 18 INCHES BELOW THE BOTTOM OF THE WATER MAIN. WHEN THE ELEVATION OF THE SEWER CANNOT BE VARIED TO MEET THIS REQUIREMENT, THE WATER MAIN SHOULD BE RELOCATED TO PROVIDE THIS SEPARATION OR CONSTRUCTED WITH MECHANICAL-JOINT PIPE FOR A DISTANCE OF 10'-0" ON EITHER SIDE OF THE SEWER. WHERE A WATER MAIN CROSSES THE SEWER, ONE FULL LENGTH OF WATER MAIN SHOULD BE CENTERED OVER THE SEWER SO THAT BOTH JOINTS WILL BE AS FAR FROM THE SEWER AS POSSIBLE. JOINTS FOR BOTH SEWER AND WATER MAIN SHALL BE RESTRAINED OR WELDED. PIPES SHALL BE PRESSURE TESTED PER SPEC 15044 TO ENSURE WATER TIGHTNESS.

ABBREVIATIONS

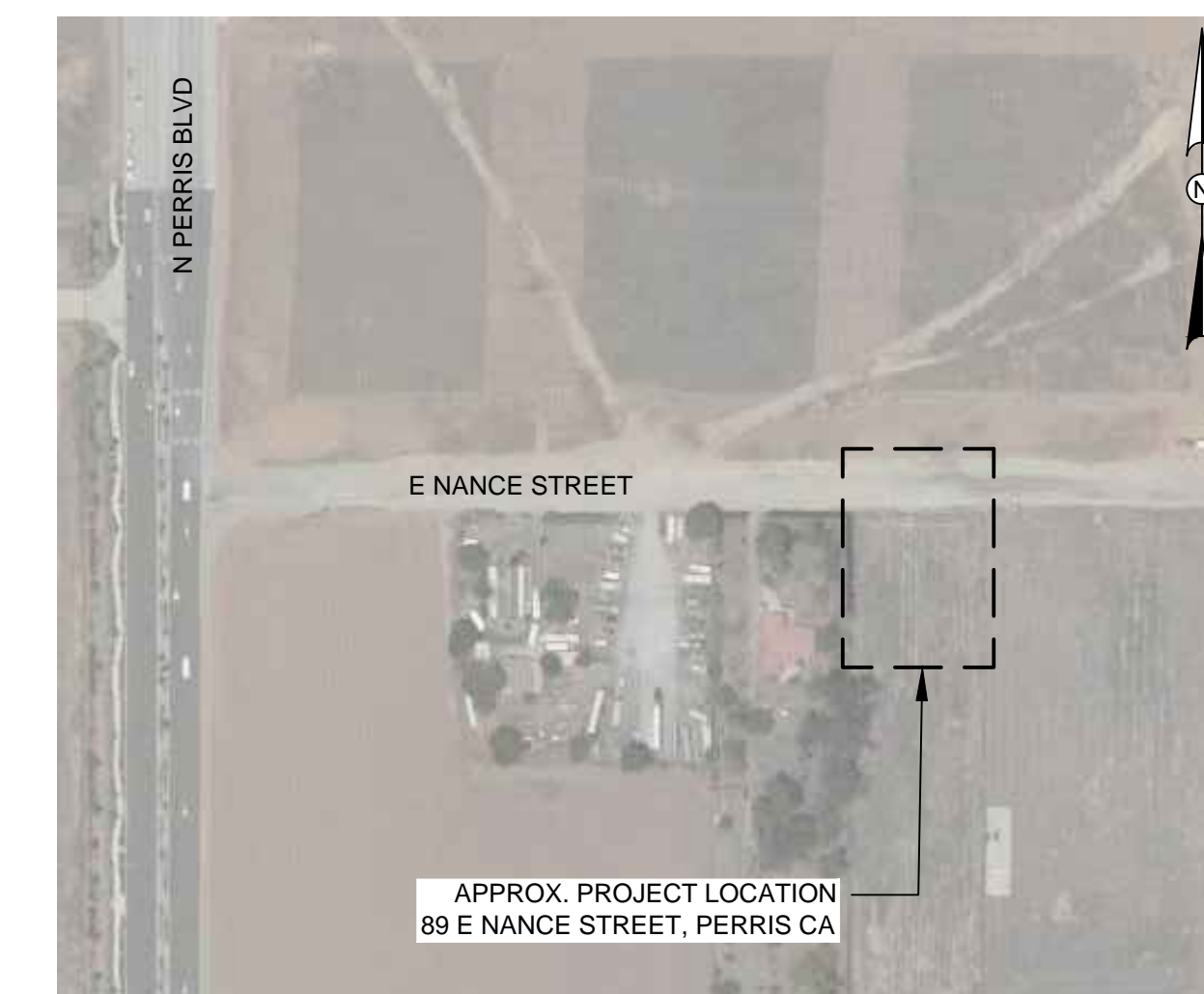
| | |
|----------|--------------------------------|
| AB | ABANDONED |
| AC | ASPHALT CONCRETE |
| APPROX | APPROXIMATE |
| BO | BLOW OFF VALVE |
| CL/∅ | CENTERLINE |
| CLF | CHAIN LIKE FENCE |
| CLR | CLEAR |
| COM | COMMUNICATION |
| CONC | CONCRETE |
| CPVC | CHLORINATED POLYVINYL CHLORIDE |
| CU | COMMUNICATION UTILITY |
| DI | DUCTILE IRON |
| DIA/∅ | DIAMETER |
| DWG | DRAWING |
| EA | EACH |
| EL/ ELEV | ELEVATION |
| ELEC | ELECTRICAL |
| EOP | EDGE OF PAVEMENT/ EDGE OF PIPE |
| EW | EACH WAY |
| EXIST | EXISTING |
| FG | FINISHED GRADE |
| FLG | FLANGE |
| FM | FORCE MAIN |
| FT. | FEET |
| GPM | GALLONS PER MINUTE |
| HMA | HOT MIX ASPHALT |
| ID | INSIDE DIAMETER |
| IE | INVERT ELEVATION |
| IN | INCH |
| INV | INVERT |
| LF | LINEAR FEET |
| MAX. | MAXIMUM |
| MECH | MECHANICAL |
| MFR/MFGR | MANUFACTURER |
| MH | MANHOLE |
| MIN. | MINIMUM |
| MJ | MECHANICAL JOINT |
| MM | MILIMETER |
| NPT | NATIONAL PIPE THREAD |
| NTS | NOT TO SCALE |
| O.C. | ON CENTER |
| PE | PLAIN END |
| POC | POINT OF CONNECTION |
| PROP | PROPOSED |
| PSI | POUNDS PER SQUARE INCH |
| PSF | POUNDS PER SQUARE FOOT |
| PVC | POLYVINYL CHLORIDE PIPE |
| RW | RECYCLED WATER |
| ROW | RIGHT OF WAY |
| SCH | SCHEDULE |
| SFM | SEWER FORCE MAIN |
| SMH | SEWER MANHOLE |
| SPEC | SPECIFICATION |
| STD | STANDARD |
| TCP | TRAFFIC CONTROL PLAN |
| TYP | TYPICAL |
| UNK | UNKNOWN |
| VCP | VITRIFIED CLAY PIPE |
| WT | WALL THICKNESS |
| WM | WATER MAIN |

LEGEND

| | |
|--|--------------------------------|
| | EXISTING PROPERTY LINE |
| | EXISTING RECYCLED WATER LINE |
| | EXISTING WATER LINE |
| | EXISTING SEWER LINE |
| | EXISTING COMMUNICATION UTILITY |
| | EXISTING ELECTRICAL UTILITY |
| | OVERHEAD WIRES |
| | SEWER LINE |
| | STORM DRAIN |
| | MANHOLE (PLAN) |
| | EXISTING MANHOLE (PLAN) |
| | SMH (PROFILE) |
| | BEND (PROFILE) |
| | CROSSING UTILITY (PROFILE) |
| | HOT MIX ASPHALT (HMA) |
| | TEST PIT/ POTHOLE |
| | SEWER FORCE MAIN (PROFILE) |

LOCATION MAP

SCALE: NTS



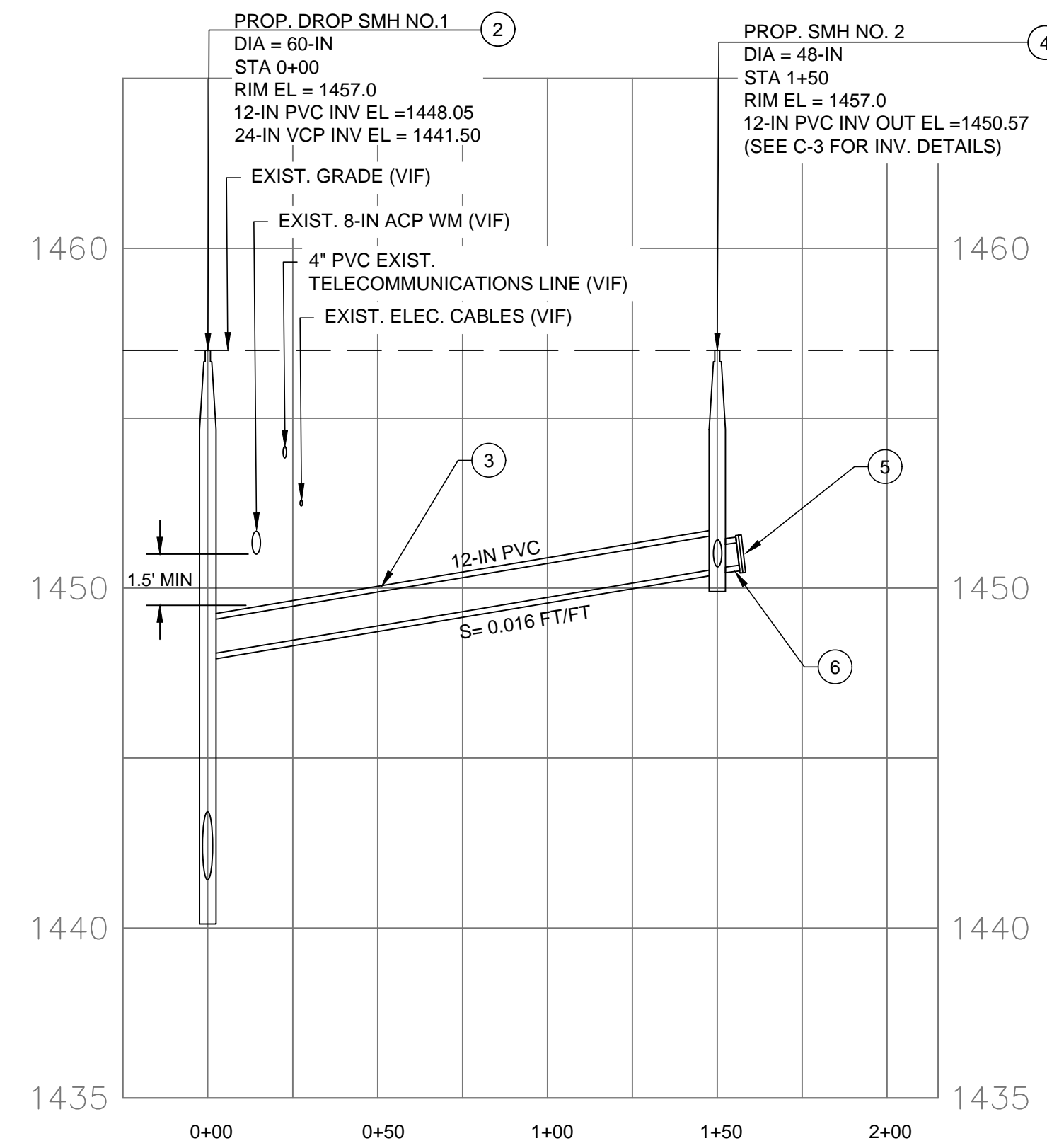
1627 PZ

SPEC. No. 1414W

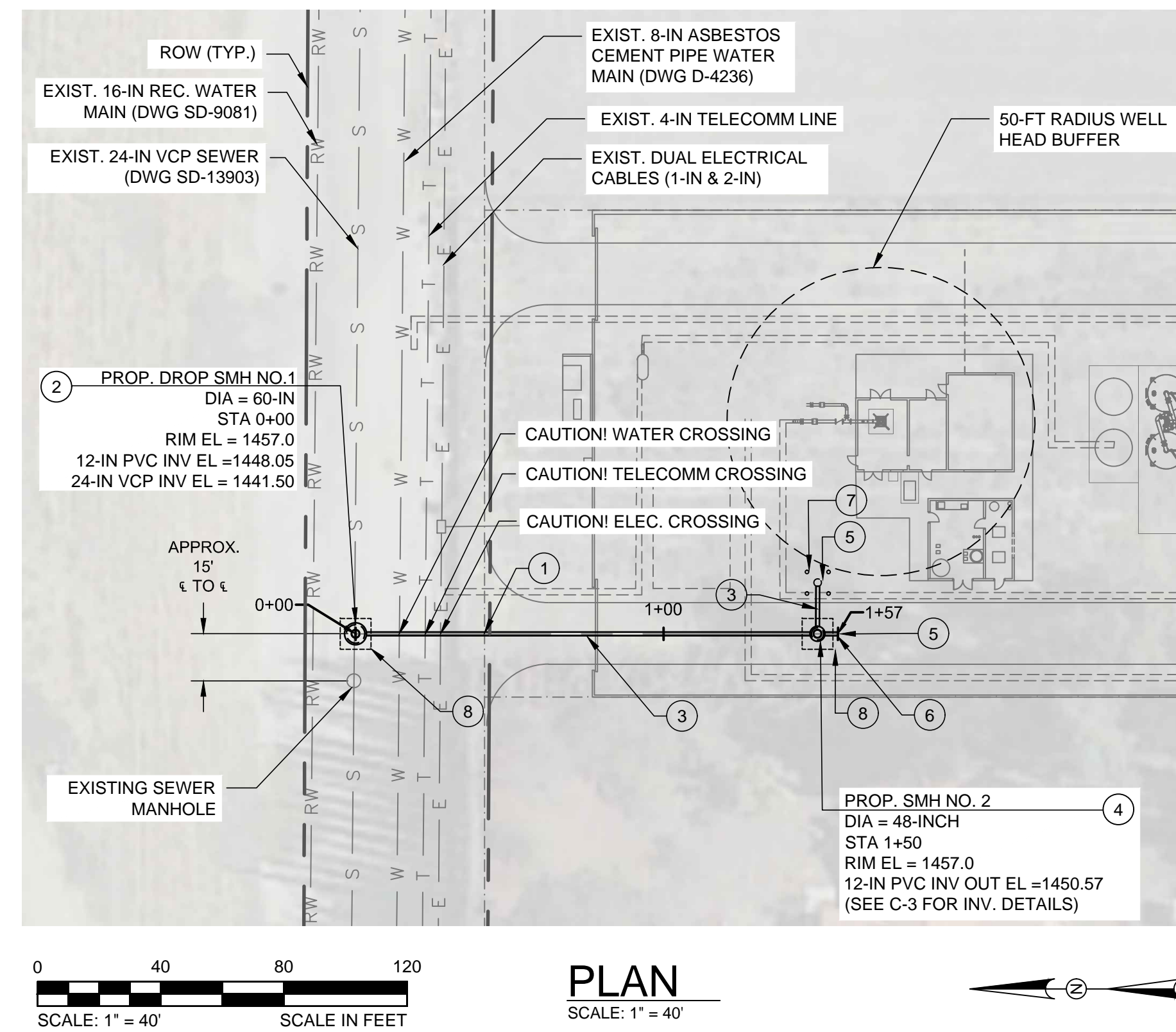
| Call: TOLL FREE 811 TWO WORKING DAYS BEFORE YOU DIG | VERIFY SCALES BAR IS ONE INCH ON ORIGINAL DRAWING IF NOT ONE INCH ON THIS SHEET, ADJUST SCALES ACCORDINGLY | PLANS PREPARED BY: KLF PROJECT #: 20203517.001A | | REVISIONS <table border="1" style="width: 100%; border-collapse: collapse;"> <thead> <tr> <th>NO.</th> <th>DATE</th> <th>INITIAL</th> <th>DESCRIPTION</th> <th>APP'VD/DATE</th> </tr> </thead> <tbody> <tr><td> </td><td> </td><td> </td><td> </td><td> </td></tr> <tr><td> </td><td> </td><td> </td><td> </td><td> </td></tr> <tr><td> </td><td> </td><td> </td><td> </td><td> </td></tr> <tr><td> </td><td> </td><td> </td><td> </td><td> </td></tr> </tbody> </table> | NO. | DATE | INITIAL | DESCRIPTION | APP'VD/DATE | | | | | | | | | | | | | | | | | | | | | APPROVED BY: _____ DATE _____ DIRECTOR OF ENGINEERING | EASTERN MUNICIPAL WATER DISTRICT PROJECT MANAGER _____ DATE _____ APPROVALS <table border="1" style="width: 100%; border-collapse: collapse;"> <thead> <tr> <th>PROJECT ENGR.</th> <th>INSPECTION</th> <th>WTR. OPERATIONS</th> <th>MAINTENANCE</th> </tr> </thead> <tbody> <tr><td> </td><td> </td><td> </td><td> </td></tr> <tr><td> </td><td> </td><td> </td><td> </td></tr> <tr><td> </td><td> </td><td> </td><td> </td></tr> </tbody> </table> | PROJECT ENGR. | INSPECTION | WTR. OPERATIONS | MAINTENANCE | | | | | | | | | | | | | EASTERN MUNICIPAL WATER DISTRICT RIVERSIDE COUNTY, CALIFORNIA WELL 204 SEWER CONNECTION CIVIL GENERAL NOTES, LEGEND & ABBREVIATIONS SCALE: AS SHOWN | <table border="1" style="width: 100%; border-collapse: collapse;"> <tr><td>DESIGNED</td><td>BW</td><td>6/2020</td></tr> <tr><td>DRAWN</td><td>AN</td><td>6/2020</td></tr> <tr><td>TRACED</td><td>AN</td><td>6/2020</td></tr> <tr><td>CHECKED</td><td>RK</td><td>6/2020</td></tr> <tr><td>SUBMITTED</td><td>RK</td><td>7/2020</td></tr> </table> | DESIGNED | BW | 6/2020 | DRAWN | AN | 6/2020 | TRACED | AN | 6/2020 | CHECKED | RK | 6/2020 | SUBMITTED | RK | 7/2020 | EASTERN MUNICIPAL WATER DISTRICT RIVERSIDE COUNTY, CALIFORNIA WELL 204 SEWER CONNECTION CIVIL GENERAL NOTES, LEGEND & ABBREVIATIONS SCALE: AS SHOWN | I.D. 13 S.A. 41 W.O. 413780 C.O. COORD. 49-D-39 SHT. 2 OF 4 D-59933 C-01 |
|--|--|--|-------------|---|------|---------|-------------|-------------|-------------|--|--|--|--|--|--|--|--|--|--|--|--|--|--|--|--|--|--|--|--|---|--|---------------|------------|-----------------|-------------|--|--|--|--|--|--|--|--|--|--|--|--|---|---|----------|----|--------|-------|----|--------|--------|----|--------|---------|----|--------|-----------|----|--------|---|--|
| | | | | NO. | DATE | INITIAL | DESCRIPTION | APP'VD/DATE | | | | | | | | | | | | | | | | | | | | | | | | | | | | | | | | | | | | | | | | | | | | | | | | | | | | | | | | | | |
| | | | | | | | | | | | | | | | | | | | | | | | | | | | | | | | | | | | | | | | | | | | | | | | | | | | | | | | | | | | | | | | | | | |
| | | | | | | | | | | | | | | | | | | | | | | | | | | | | | | | | | | | | | | | | | | | | | | | | | | | | | | | | | | | | | | | | | | |
| | | | | | | | | | | | | | | | | | | | | | | | | | | | | | | | | | | | | | | | | | | | | | | | | | | | | | | | | | | | | | | | | | | |
| | | | | | | | | | | | | | | | | | | | | | | | | | | | | | | | | | | | | | | | | | | | | | | | | | | | | | | | | | | | | | | | | | | |
| PROJECT ENGR. | INSPECTION | WTR. OPERATIONS | MAINTENANCE | | | | | | | | | | | | | | | | | | | | | | | | | | | | | | | | | | | | | | | | | | | | | | | | | | | | | | | | | | | | | | | |
| | | | | | | | | | | | | | | | | | | | | | | | | | | | | | | | | | | | | | | | | | | | | | | | | | | | | | | | | | | | | | | | | | | |
| | | | | | | | | | | | | | | | | | | | | | | | | | | | | | | | | | | | | | | | | | | | | | | | | | | | | | | | | | | | | | | | | | | |
| | | | | | | | | | | | | | | | | | | | | | | | | | | | | | | | | | | | | | | | | | | | | | | | | | | | | | | | | | | | | | | | | | | |
| DESIGNED | BW | 6/2020 | | | | | | | | | | | | | | | | | | | | | | | | | | | | | | | | | | | | | | | | | | | | | | | | | | | | | | | | | | | | | | | | |
| DRAWN | AN | 6/2020 | | | | | | | | | | | | | | | | | | | | | | | | | | | | | | | | | | | | | | | | | | | | | | | | | | | | | | | | | | | | | | | | |
| TRACED | AN | 6/2020 | | | | | | | | | | | | | | | | | | | | | | | | | | | | | | | | | | | | | | | | | | | | | | | | | | | | | | | | | | | | | | | | |
| CHECKED | RK | 6/2020 | | | | | | | | | | | | | | | | | | | | | | | | | | | | | | | | | | | | | | | | | | | | | | | | | | | | | | | | | | | | | | | | |
| SUBMITTED | RK | 7/2020 | | | | | | | | | | | | | | | | | | | | | | | | | | | | | | | | | | | | | | | | | | | | | | | | | | | | | | | | | | | | | | | | |

CONSTRUCTION NOTES:

- 1 REMOVE AND REPLACE EXIST. CHAIN FENCE LINE AS NECESSARY TO COMPLETE THE WORK (TYP.)
- 2 CONNECT 12-INCH C900 PVC DRAIN LINE TO OFF SITE MH. REMOVE PORTION OF 24-INCH VCP SANITARY SEWER AS NEEDED TO INSTALL OFF SITE MH. FURNISH AND INSTALL STD DROP MH PER STD DWGS SB-53, SB-60, SB-179 & SB-181. THE CONTRACTOR SHALL VERIFY THE CENTERLINE OF THE EXISTING SEWER, AND DEPTH OF SEWER AT CONNECTION POINT. SEE NOTES ON C-3 FOR MODIFICATIONS TO EMWD STD DWG SB-179.
- 3 FURNISH AND INSTALL 12-INCH C-900 PVC DRAIN LINE, FULLY RESTRAINED PER STD DWGS SB-157 & SB-158.
- 4 FURNISH AND INSTALL STANDARD EMWD SHALLOW MH PER STD DWGS SB-53 & SB-61. SEE SHEET C-3 FOR SHALLOW SMH DETAILS, WHICH INCLUDE ADDITIONAL MECH PIPING AND INVERTS.
- 5 INSTALL BLOW OFF, MECHANICAL PIPING, END CAP AND APPURTENANCES AS SHOWN ON C-3. PLACEMENT OF BLOW-OFF SHALL BE LOCATED OUTSIDE OF PAVED AREA AROUND MANHOLE. ONSITE DISCHARGE THROUGH LATERAL TO SEWER WILL CONSIST OF WELL BLOW-OFF WATER AND NUISANCE FLOW ONLY. NO SEWAGE WILL BE DISCHARGED THROUGH THE PROPOSED SEWER CONNECTION.
- 6 FURNISH AND INSTALL 8-INCH C-900 PVC DRAIN LINE, FULLY RESTRAINED PER STD. DWGS SB-157 & SB-158. SEE C-3 FOR DETAILS.
- 7 FURNISH AND INSTALL FOUR (4) REMOVABLE BOLLARDS (PER GREEN BOOK) AROUND ABOVE GROUND BLOW OFF DISCHARGE PIPING.
- 8 PAVE AROUND MANHOLES PER STD DWG SB-181.



PROFILE
SCALE: HORIZONTAL 1" = 40' : VERTICAL 1" = 4'



PLAN
SCALE: 1" = 40'

1627 PZ

SPEC. No. 1414W

Underground Service Alert
Call: TOLL FREE 811
TWO WORKING DAYS BEFORE YOU DIG

VERIFY SCALES
BAR IS ONE INCH ON ORIGINAL DRAWING
IF NOT ONE INCH ON THIS SHEET, ADJUST SCALES ACCORDINGLY

PLANS PREPARED BY:
KLEINFELDER
Bright People. Right Solutions.
KLF PROJECT #: 20203517.001A

REGISTERED PROFESSIONAL ENGINEER
KATHLEEN S. HAYES
No. 51588
EXP. 6/30/2022
CIVIL
STATE OF CALIFORNIA

| REVISIONS | | | | |
|-----------|------|---------|-------------|------------|
| NO. | DATE | INITIAL | DESCRIPTION | APP'D/DATE |
| | | | | |
| | | | | |
| | | | | |

APPROVED BY:
DIRECTOR OF ENGINEERING _____ DATE _____
REFERENCES

EASTERN MUNICIPAL WATER DISTRICT
PROJECT MANAGER _____ DATE _____
APPROVALS

| | | |
|-----------------|---------|------|
| PROJECT ENGR. | INITIAL | DATE |
| INSPECTION | | |
| WTR. OPERATIONS | | |
| MAINTENANCE | | |

| | | DATE |
|-----------|----|--------|
| DESIGNED | BW | 6/2020 |
| DRAWN | AN | 6/2020 |
| TRACED | AN | 6/2020 |
| CHECKED | RK | 6/2020 |
| SUBMITTED | RK | 7/2020 |

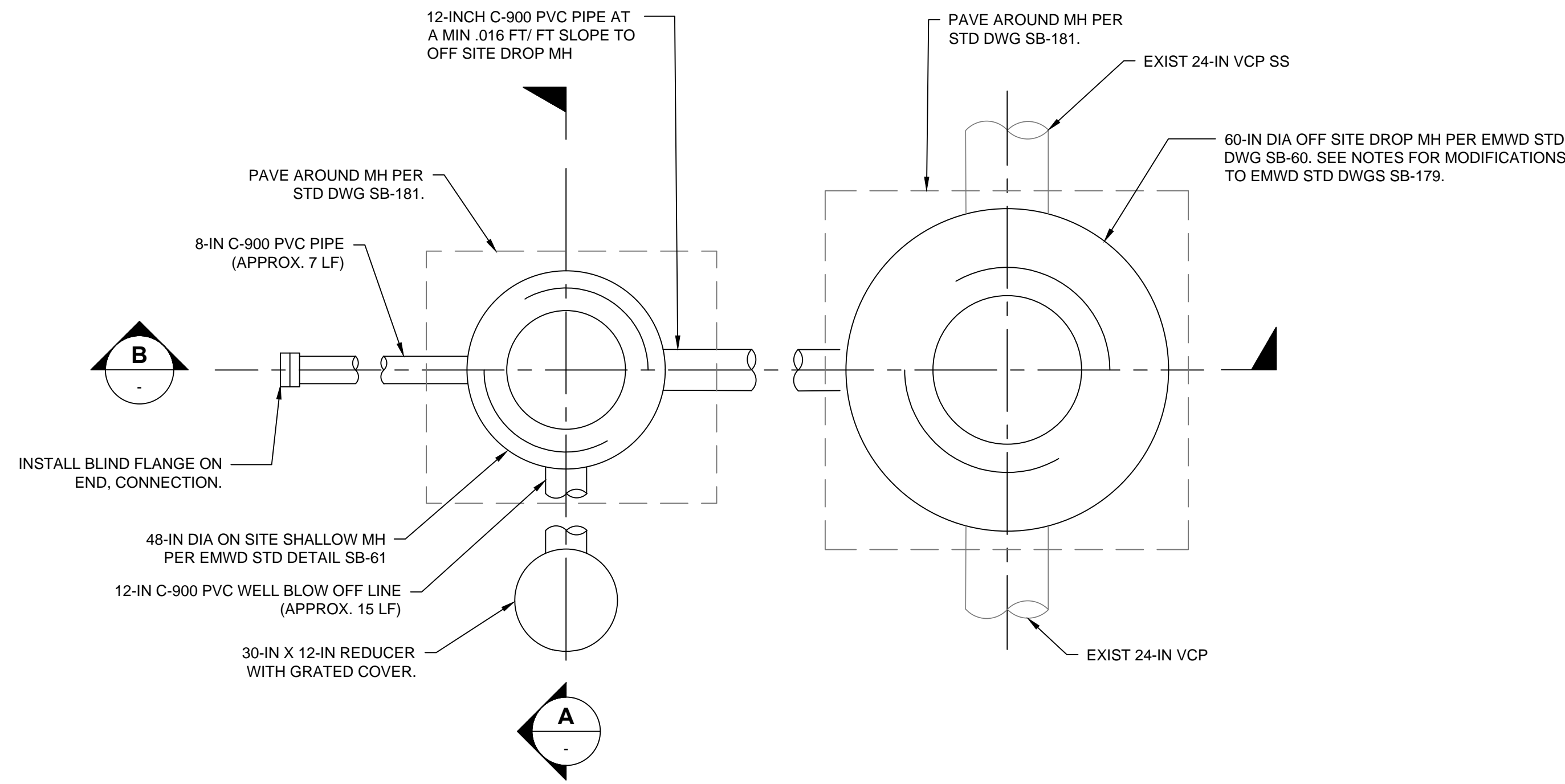
SCALE: AS SHOWN

EASTERN MUNICIPAL WATER DISTRICT
RIVERSIDE COUNTY, CALIFORNIA
WELL 204 SEWER CONNECTION
CIVIL PLAN AND PROFILE

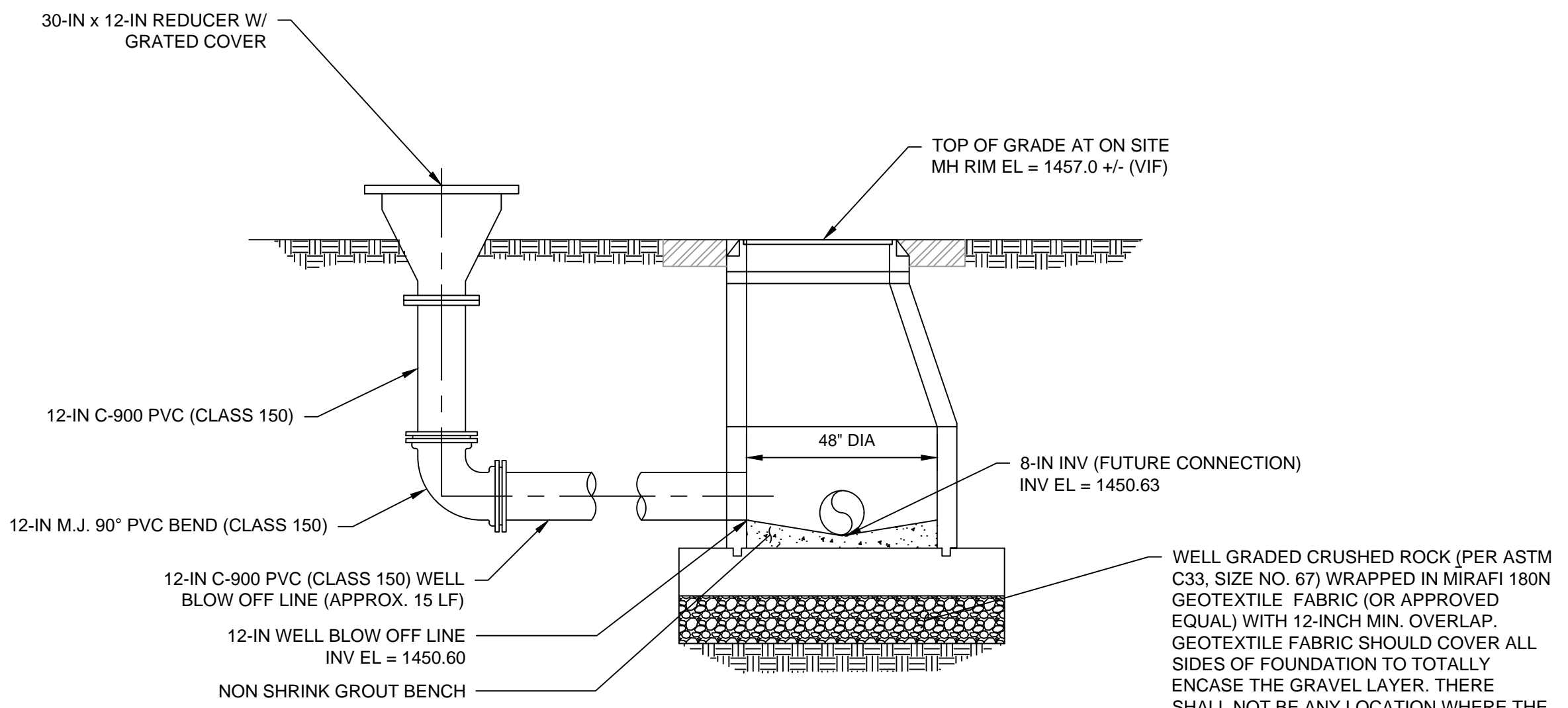
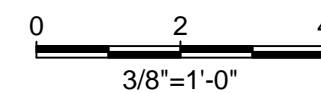
| |
|----------------|
| LD. 13 |
| S.A. 41 |
| W.O. 413780 |
| C.O. |
| COORD. 49-D-39 |
| SHT. 3 OF 4 |
| D-59934 |
| C-02 |

**48-INCH DIAM. SHALLOW MH
(LEFT)**

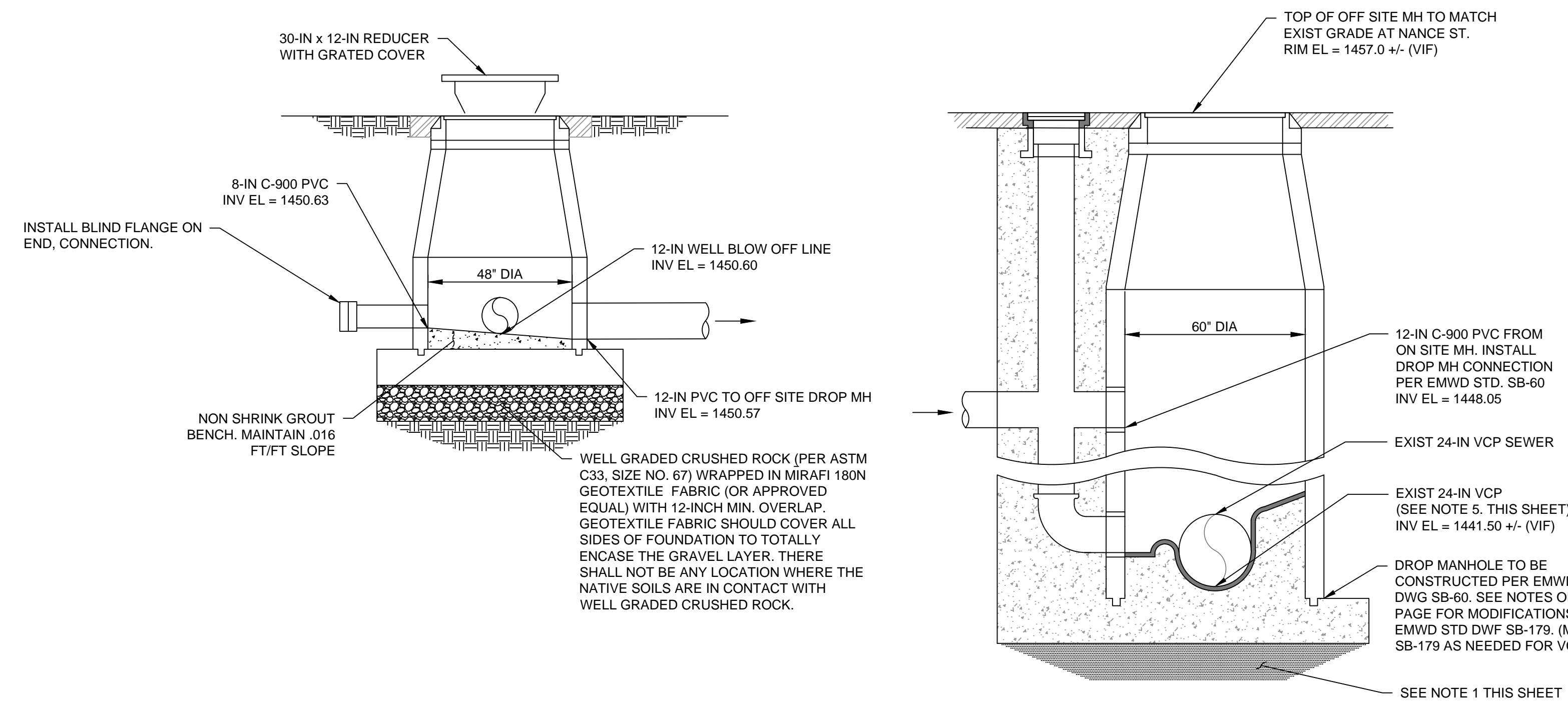
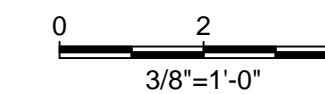
**60-INCH DIAM. DROP MH
(RIGHT)**



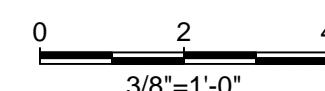
1 48-INCH & 60-INCH MANHOLE PLAN
C-3



A SECTION



B SECTION

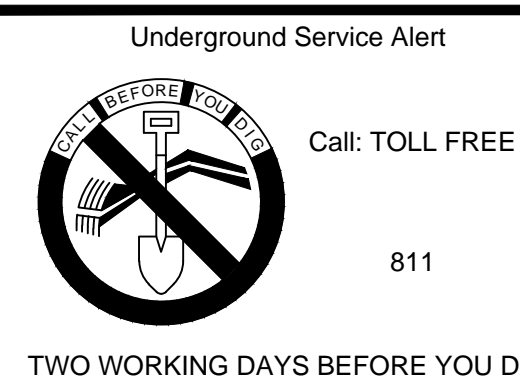


MANHOLE INSTALLATION NOTES:

- CONTRACTOR SHALL USE 1 SACK SLURRY CONTROLLED DENSITY FILL UNDER PRECAST BASE FOR OFFSITE DROP MANHOLE.
- CONTRACTOR SHALL SUPPORT EXISTING VCP IN PLACE AS NEEDED TO ENSURE NO SETTLEMENT OR DAMAGE TO EXISTING SEWER DURING MANHOLE INSTALLATION. ANY DAMAGE TO THE EXISTING SEWER WILL BE REPAIRED BY THE CONTRACTOR, AT NO ADDITIONAL COST TO THE OWNER.
- THE FINAL CUT IN / TIE IN TO EXISTING 24-IN VCP SEWER SHALL OCCUR DURING LOW FLOW TIMES, AND COORDINATED WITH THE OWNER.
- ALL EXISTING SEWER SERVICES SHALL REMAIN OPERATIONAL THROUGHOUT CONSTRUCTION. CONTRACTOR SHALL COORDINATE WITH DISTRICT PUBLIC AND GOVERNMENT AFFAIRS AS NECESSARY TO COORDINATE ANY CUSTOMER NOTIFICATIONS RELATED TO THE CONSTRUCTION WORK.
- FINAL LOCATION OF 60-IN DROP MH WILL BE DETERMINED IN THE FIELD. THE LOCATION OF MANHOLE MUST PROVIDE A MIN. OF 1-FT OF PIPE AWAY FROM JOINTS ON EITHER SIDE OF MANHOLE IN ACCORDANCE WITH DISTRICT STANDARDS. CONTRACTOR SHALL LOCATE PIPE JOINTS VIA POTHOLING PRIOR TO CONSTRUCTION. CONTRACTOR TO VERIFY FINAL LOCATION AND ELEVATIONS WITH ENGINEER PRIOR TO CONSTRUCTION.
- NO BYPASS FLOW HANDLING IS REQUIRED. IF CONSTRUCTION OF 60-IN DROP MH IS IN ACCORDANCE WITH EMWD STD. DWG SB-179.
- MANHOLE COVERS SHALL BE LOCKING TYPE IN ACCORDANCE WITH EMWD STD. SB-8.
- CONTRACTOR SHALL NOT INSTALL STEPS INSIDE MANHOLES.

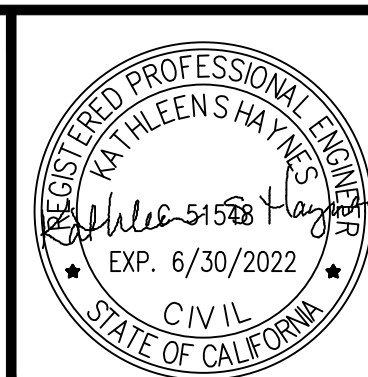
1627 PZ

SPEC. No. 1414W



VERIFY SCALES
BAR IS ONE INCH ON ORIGINAL DRAWING
0 1"
IF NOT ONE INCH ON THIS SHEET, ADJUST SCALES ACCORDINGLY

PLANS PREPARED BY:
KLEINFELDER
Bright People. Right Solutions.
KLF PROJECT #: 20203517.001A



| REVISIONS | | | | |
|-----------|------|---------|-------------|------------|
| NO. | DATE | INITIAL | DESCRIPTION | APP'D/DATE |
| | | | | |
| | | | | |

| APPROVED BY: | |
|-------------------------|------|
| DIRECTOR OF ENGINEERING | DATE |
| | |

| EASTERN MUNICIPAL WATER DISTRICT | | | |
|----------------------------------|------|---------|------|
| PROJECT MANAGER | DATE | INITIAL | DATE |
| | | | |

| DESIGNED | | DATE |
|-----------|----|--------|
| BW | AN | 6/2020 |
| DRAWN | | 6/2020 |
| TRACED | | 6/2020 |
| CHECKED | | 6/2020 |
| SUBMITTED | | 7/2020 |

EASTERN MUNICIPAL WATER DISTRICT
RIVERSIDE COUNTY, CALIFORNIA
WELL 204 SEWER CONNECTION
CIVIL DETAILS I

| |
|----------------|
| LD. 13 |
| S.A. 41 |
| W.O. 413780 |
| C.O. |
| COORD. 49-D-39 |
| SHT. 4 OF 4 |
| D-59935 |
| C-03 |

SCALE: AS SHOWN