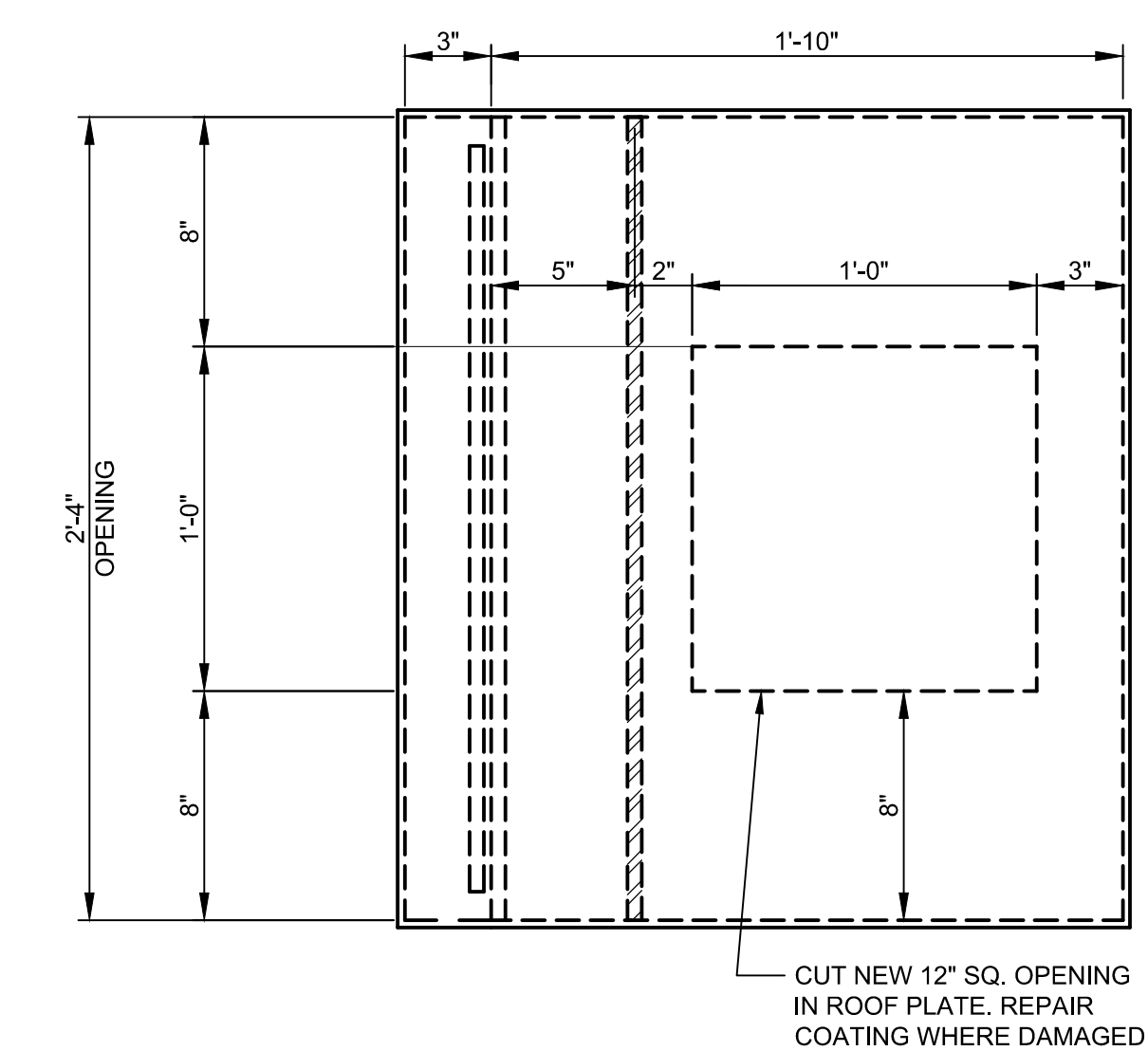
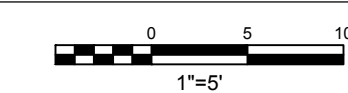
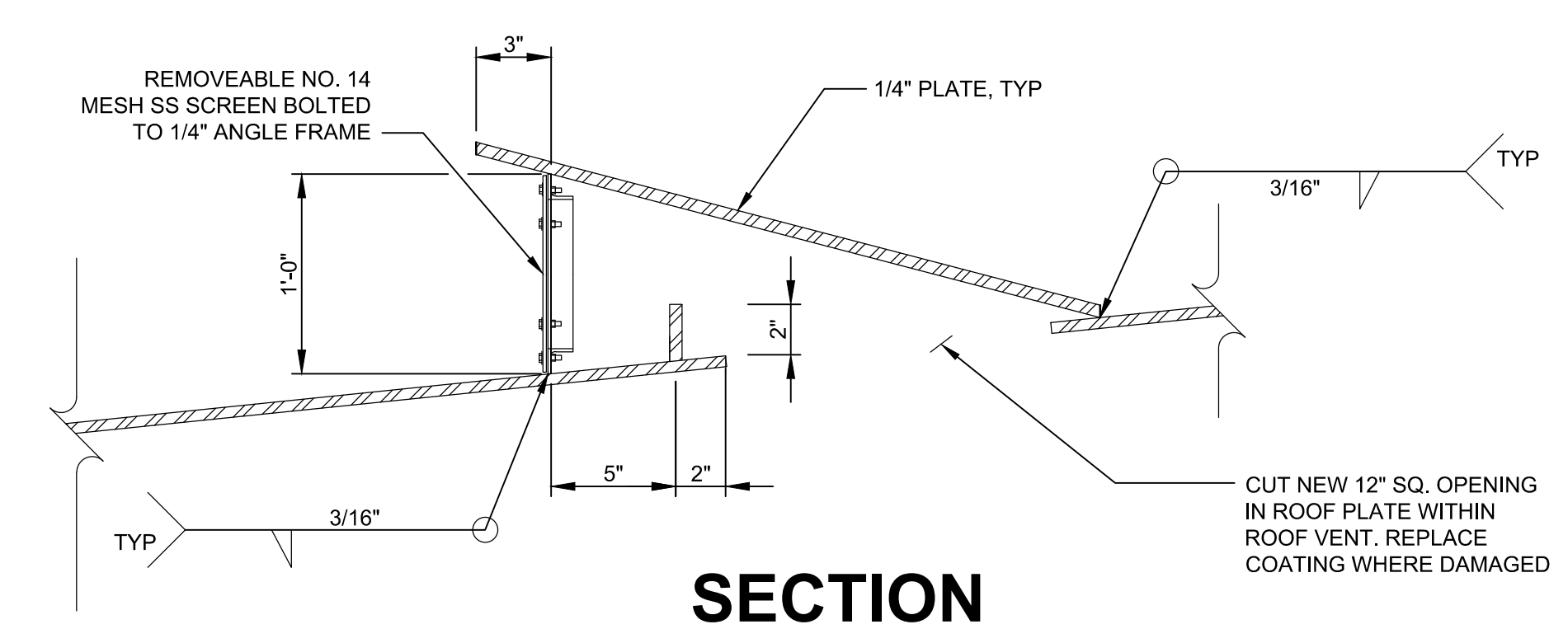


ROOF PLAN



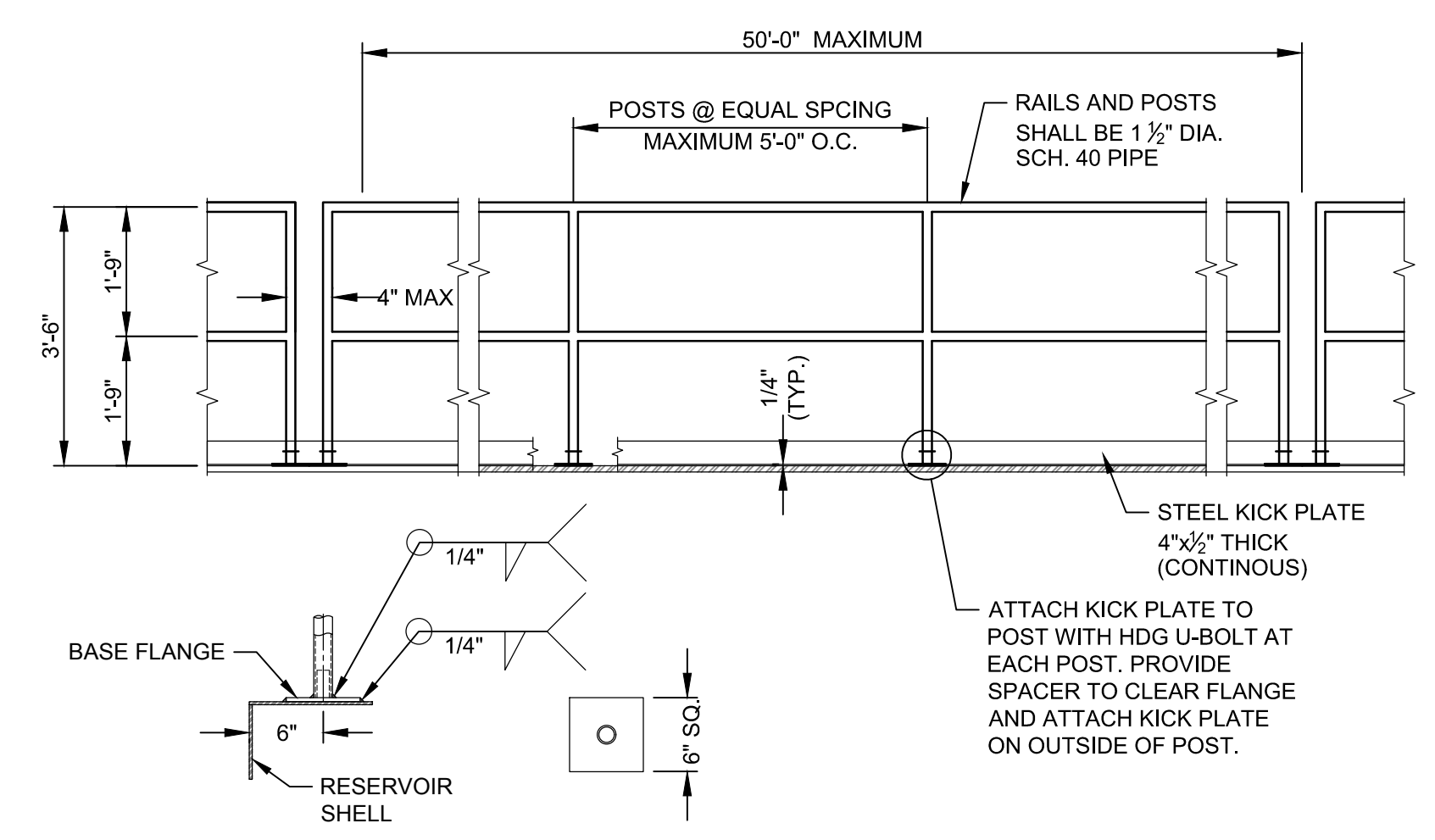
PLAN



SECTION

PERIMETER ROOF VENT DETAIL 1

NTS



BASE FLANGE

HANDRAIL ELEVATION AND MOUNTING DETAIL 2

NTS

- NOTES:**
- HANDRAIL, FITTINGS, FLANGES, AND ANCHORAGES SHALL BE DESIGNED TO SAFELY RESIST FORCES AS REQUIRED BY OSHA AND THE CALIFORNIA BUILDING CODE. AS A MINIMUM, COMPLETE HANDRAIL SYSTEM SHALL BE CAPABLE OF WITHSTANDING A 200 LB. CONCENTRATED LOAD APPLIED IN ANY DIRECTION AT ANY POINT OF THE HANDRAIL.
 - MAXIMUM CONTINUOUS LENGTH OF RAILING BETWEEN SPACES SHALL BE 50'-0".
 - HANDRAIL SYSTEM, INCLUDING RAILINGS AND CONNECTIONS, SHALL BE PAINTED TO MATCH TANK EXTERIOR.

TANK DATA
 HEIGHT: 28 FEET
 CAPACITY: 0.4 MG

- NOTES:**
- FIELD VERIFY VENT LOCATIONS WITH EXISTING ROOF FRAMING AND ANODE CAPS. NOTIFY FIELD INSPECTOR OR THE ENGINEER OF ANY CONFLICTS. PAINT ROOF VENTS TO MATCH EXISTING TANK EXTERIOR. REPAIR ANY EXISTING EXTERIOR COATING DAMAGED DURING INSTALLATION OF ROOF PERIMETER VENTS PER SPECIAL CONDITION SC-24.
 - INSTALL TANK ROOF HANDRAIL. PAINT HANDRAIL TO MATCH EXISTING TANK EXTERIOR. REPAIR ANY EXISTING EXTERIOR COATING DAMAGED DURING INSTALLATION OF ROOF HANDRAIL PER SPECIAL CONDITION SC-47.
 - QUANTITY, SIZE, AND LOCATION OF STRUCTURAL MEMBERS NOT DETERMINED. REFER TO SPECIFICATION AND APPENDICES FOR MORE INFORMATION.
 - DEMOLISH EXISTING TANK INTERIOR ACCESS LADDER PER SPECIAL CONDITION SC-23.
 - INSTALL NEW FIBER-GLASS REINFORCED PLASTIC GRATING TO THE EXISTING TANK ACCESS HATCH PER EMWD STANDARD DRAWING B-984 AND SPECIAL CONDITION SC-22. FIELD VERIFY EXISTING HATCH OPENING. SUBMIT FABRICATION DRAWINGS FOR APPROVAL PRIOR TO FABRICATION.

SPEC. No. 1364W

Underground Service Alert
 Call: TOLL FREE 811
 TWO WORKING DAYS BEFORE YOU DIG

VERIFY SCALES
 BAR IS ONE INCH ON ORIGINAL DRAWING
 IF NOT ONE INCH ON THIS SHEET, ADJUST SCALES ACCORDINGLY

PLANS PREPARED BY:
Kennedy/Jenks Consultants
 38977 SKY CANYON DRIVE, SUITE 100
 MURRIETA, CA. 92563
 951-375-5570
 KJ JOB No. 1844012.00

MARC SERRA, P.E.
 No. C84920
 Exp. 03/31/20
 CIVIL
 STATE OF CALIFORNIA

REVISIONS				
NO.	DATE	INITIAL	DESCRIPTION	APP'D/DATE

APPROVED BY:
Marc Serra, P.E. APRIL 2019
 DIRECTOR OF ENGINEERING DATE
 REFERENCES

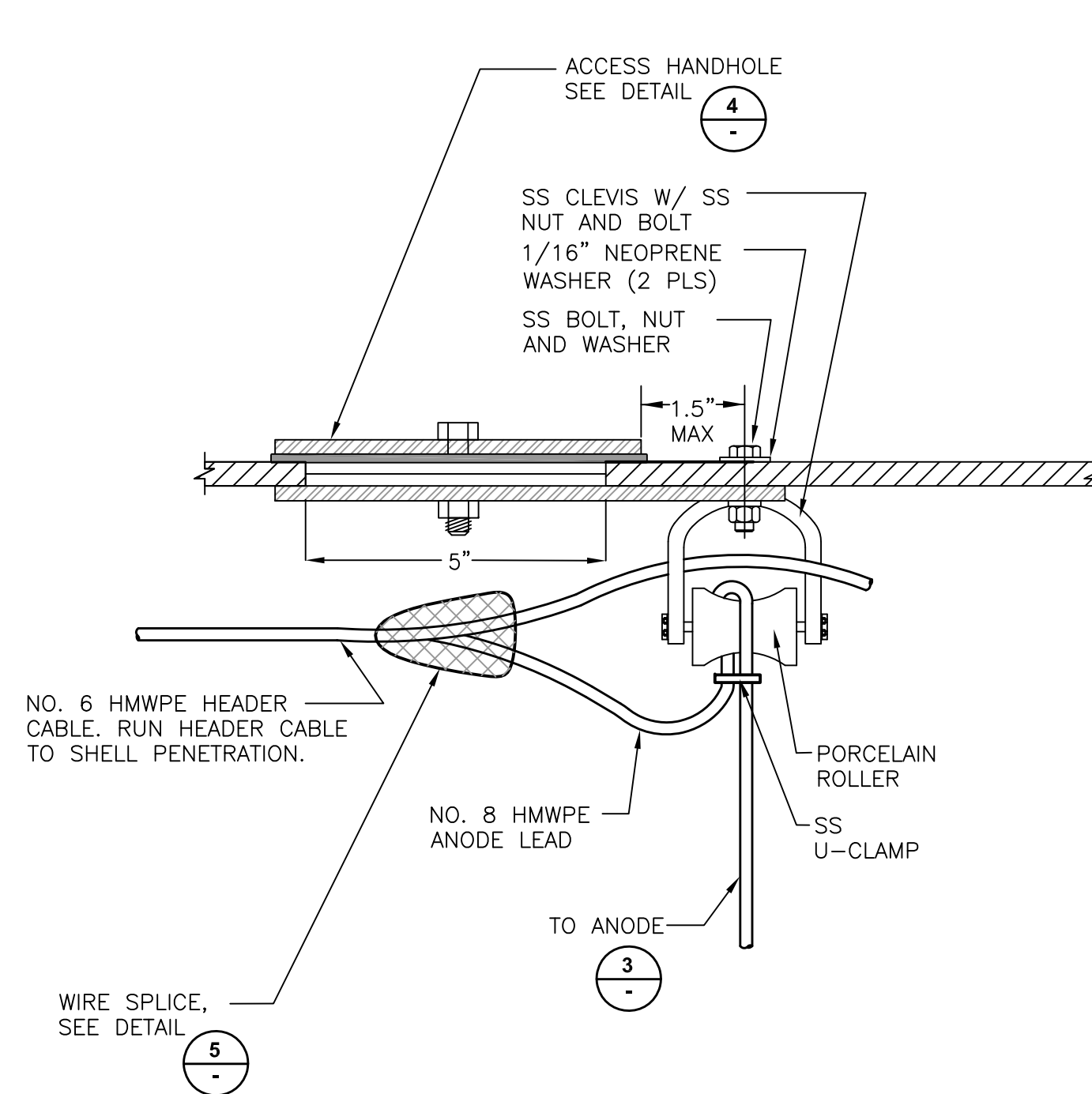
EASTERN MUNICIPAL WATER DISTRICT
Ed Serra, P.E. APRIL 2019
 PROJECT MANAGER DATE

DATE	DESIGNED	DATE
04/2019	NK	04/2019
04/2019	RLH	04/2019
04/2019	SS	04/2019
04/2019	NK	04/2019

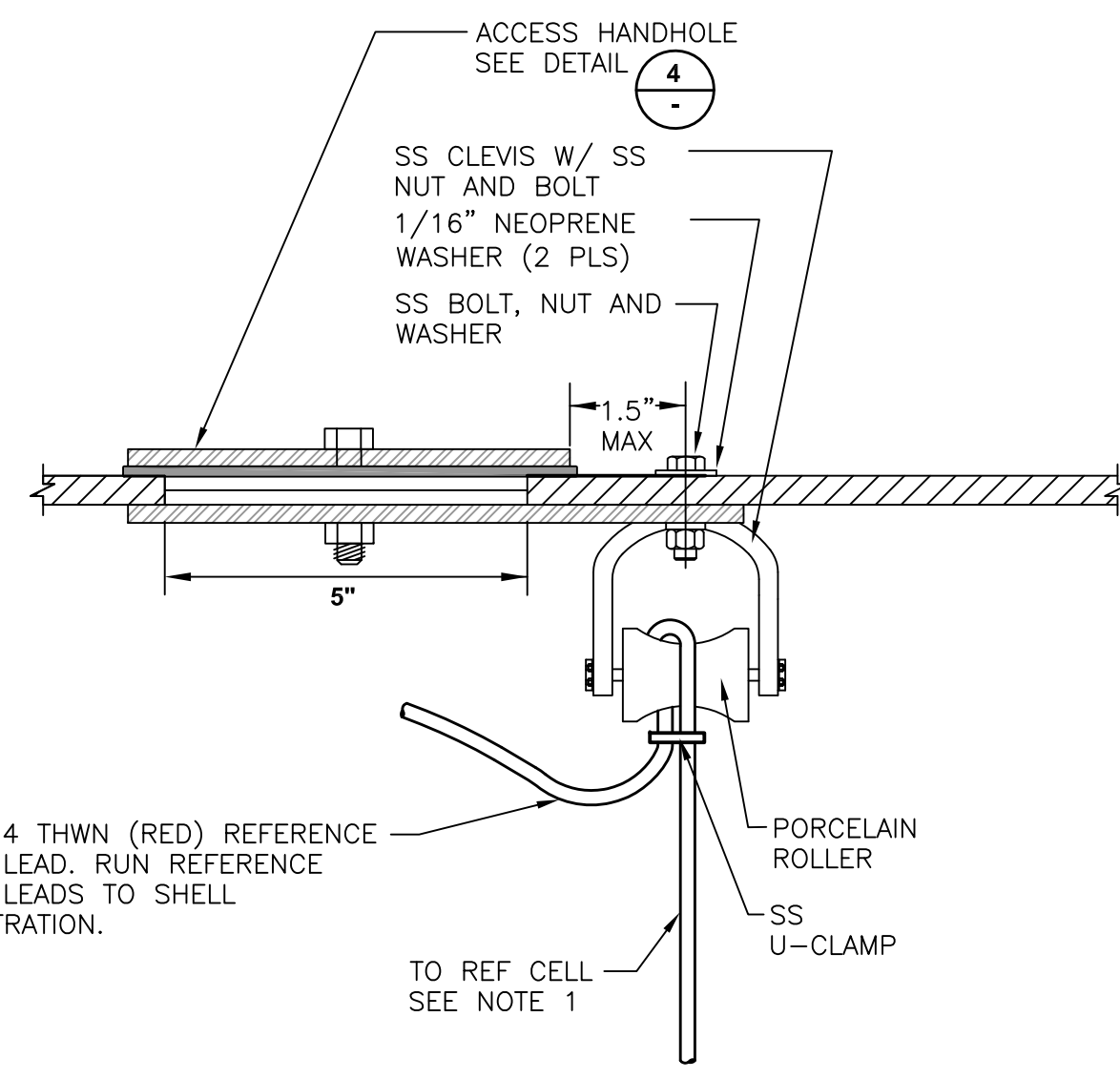
SCALE: AS SHOWN

EASTERN MUNICIPAL WATER DISTRICT
 RIVERSIDE COUNTY, CALIFORNIA
**QUAIL VALLEY I TANK
 INTERIOR RECOATING**

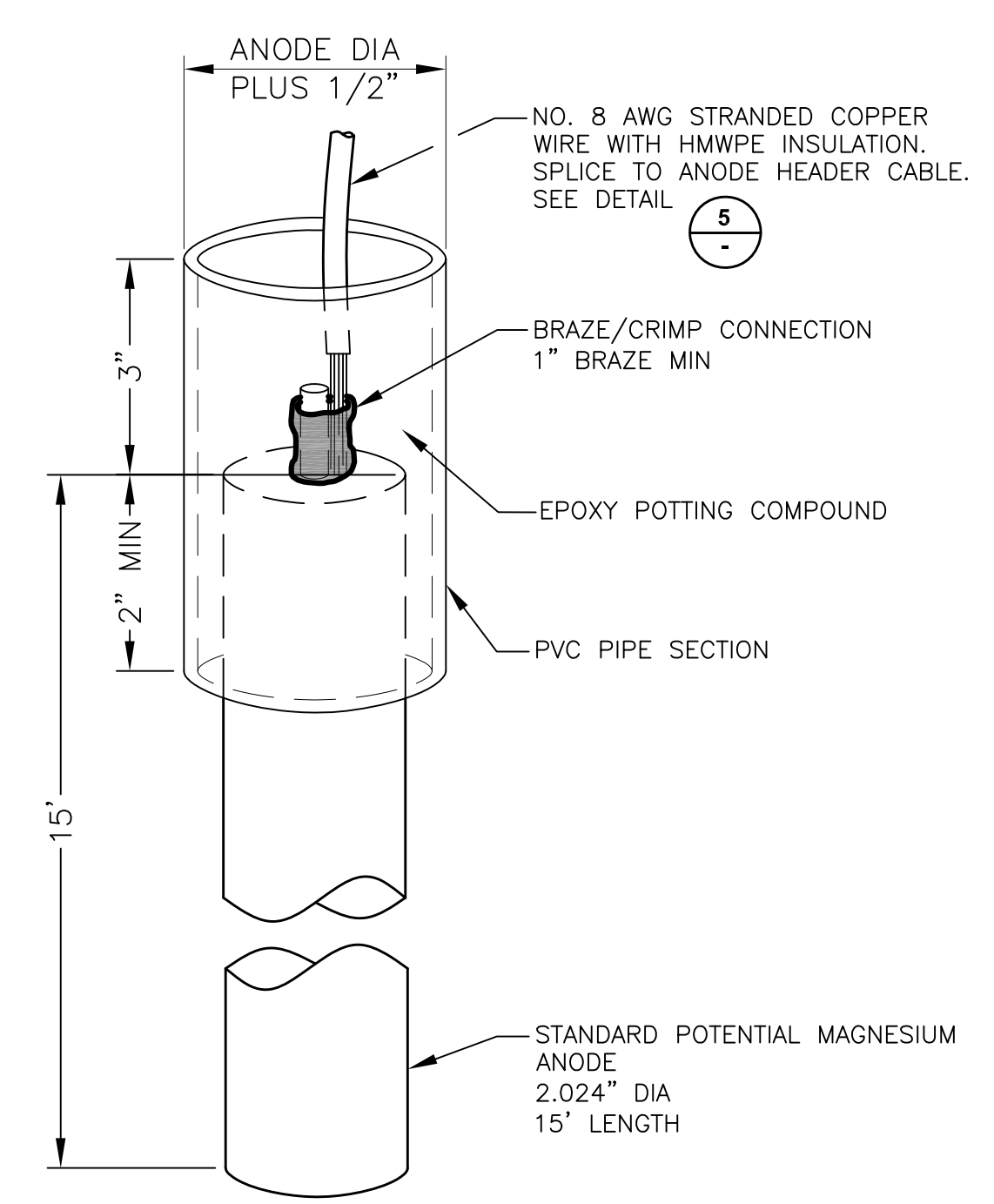
I.D. 9
S.A. 41
W.O. 19523
C.O.
COORD. 29054
SHT. 2 OF 3
D-55739
2



ANODE ACCESS PORT 1
SCALE: NONE

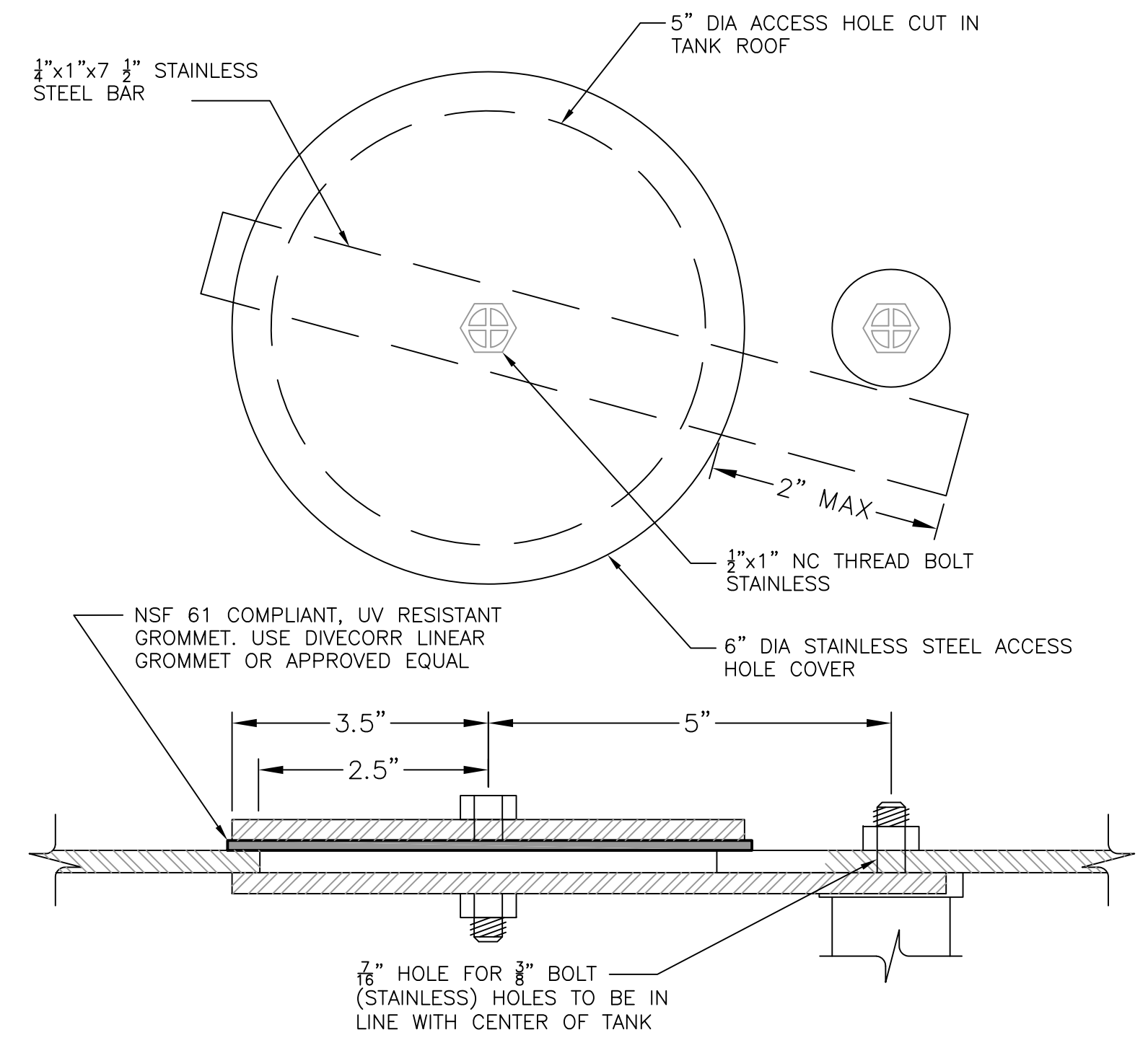


REF. CELL ACCESS PORT 2
SCALE: NONE

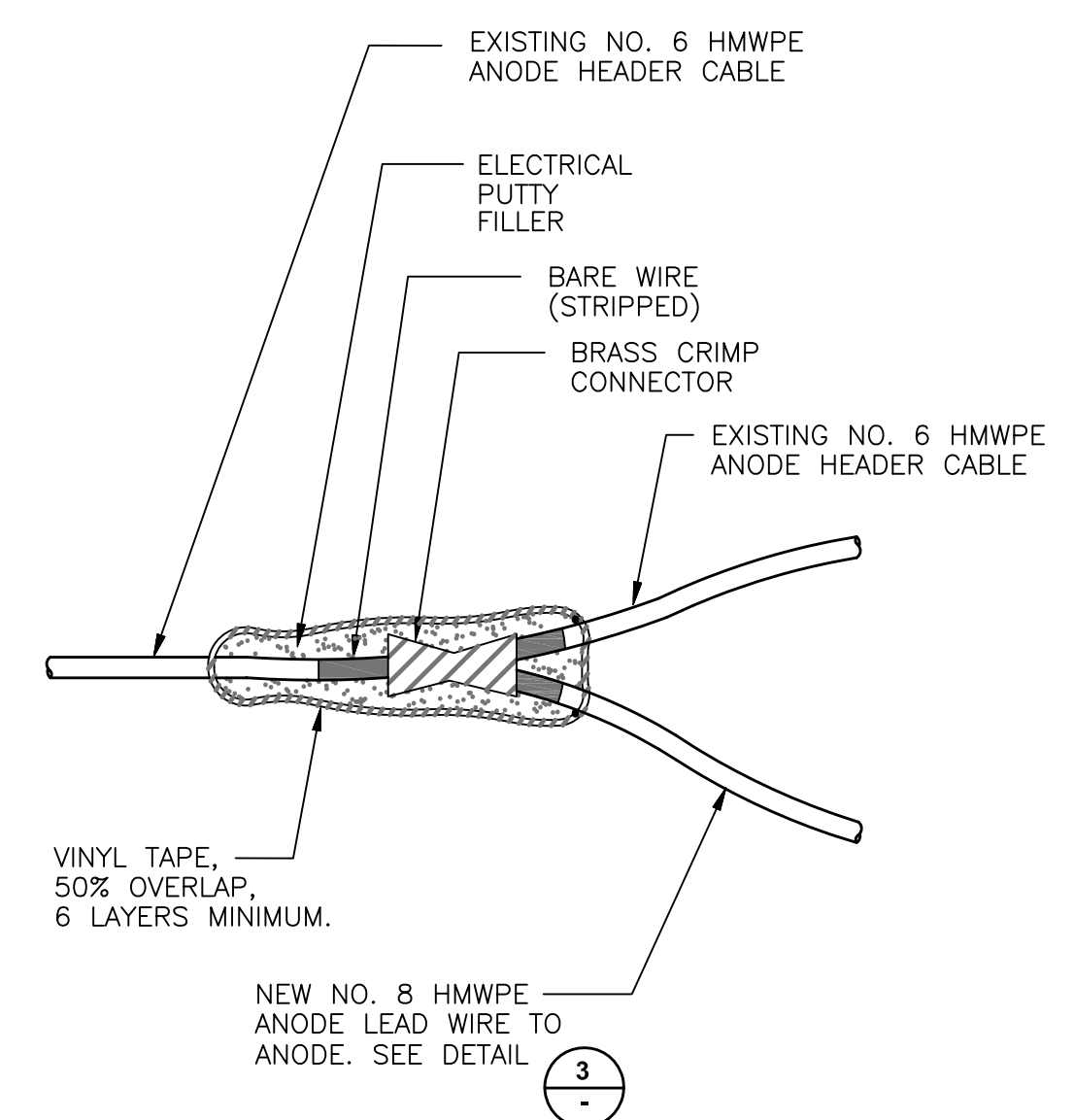


MAGNESIUM ANODE 3
SCALE: NONE

- NOTES:**
1. A TOTAL OF SIX ANODES SHALL BE REPLACED.
 2. THE EXISTING ANODE HEADER CABLE MAY BE RE-USED IF IT IS NOT DAMAGED DURING THE REMOVAL OF THE EXISTING CATHODIC PROTECTION SYSTEM. IF THE ANODE HEADER CABLE IS DAMAGED, THEN IT SHALL BE REPLACED.
 3. ANY EXISTING ANODE HANGERS, ANODE PORTS, OR OTHER CATHODIC PROTECTION COMPONENTS THAT ARE DAMAGED DURING THE REMOVAL OF THE EXISTING CATHODIC PROTECTION SYSTEM, SHALL BE REPLACED. NEW METALLIC COMPONENTS (I.E. ANODE PORTS, COVERS, BOLTS, NUTS, ETC.) SHALL BE 316SS.
 4. WHEN RE-INSTALLING THE ANODE PORT COVERS, USE AN NSF61 COMPLIANT, UV RESISTANT GROMMET. THE GROMMET SHALL BE DIVECORR LINEAR GROMMET OR APPROVED EQUAL.
 5. ALL ANODES SHALL BE INSTALLED AT 7' ABOVE RESERVOIR FLOOR.
 6. TWO PERMANENT REFERENCE ELECTRODES SHALL BE INSTALLED 1' ABOVE RESERVOIR FLOOR. PERMANENT REFERENCE ELECTRODE SHALL HAVE A MINIMUM DESIGN LIFE OF 15 YEARS. RUN REFERENCE CELL LEADS TO ANODE CONTROL BOX.
 7. SEE SPECIFICATION SECTION 09878, SECTION 3.02 FOR CATHODIC PROTECTION REMOVAL, RE-INSTALLATION, AND SYSTEM PERFORMANCE TESTING.
 8. ALL HARDWARE, WIRING, AND CATHODIC PROTECTION MATERIALS AND INSTALLATION SHALL BE INSPECTED AND ACCEPTED BY THE ENGINEER PRIOR TO PUTTING THE TANK INTO SERVICE.
 9. EXCEPT FOR TESTING PURPOSES, THE CATHODIC PROTECTION ANODES SHALL NOT BE CONNECTED OR ACTIVATED DURING THE COATING WARRANTY PERIOD (TYPICALLY 18 MONTHS). AFTER THE COATING WARRANTY PERIOD, THE CATHODIC PROTECTION SYSTEM WILL BE ACTIVATED BY OTHERS.



ACCESS HANDHOLE 4
SCALE: NONE



ANODE LEAD SPLICE 5
SCALE: NONE

- NOTES:**
1. ACCESS PORT SHOWN. SIMILAR INSTALLATION FOR BOTH ANODE ACCESS PORT AND REF. CELL ACCESS PORT.
 2. ALL STAINLESS STEEL (SST) COMPONENTS SHALL BE TYPE 316.

- NOTES:**
1. ALTERNATE SPLICE METHODS MUST BE SUBMITTED FOR APPROVAL.

REYEAGER 3/28/2019 9:17 AM

Underground Service Alert
Call: TOLL FREE 811
TWO WORKING DAYS BEFORE YOU DIG

VERIFY SCALES
BAR IS ONE INCH ON ORIGINAL DRAWING
IF NOT ONE INCH ON THIS SHEET, ADJUST SCALES ACCORDINGLY

PLANS PREPARED BY:
R.F. Yeager
1016 BROADWAY, SUITE A
EL CAJON, CA 92021
PHONE: 619.312.0195
FAX: 619.312.0197
CORROSION ENGINEERING CONSULTANTS
RICHARD F. YEAGER, P.E. R.C.E. NO. 70686 DATE: 03.22.2019

SEAL-ENGINEER
REGISTERED PROFESSIONAL ENGINEER
RICHARD F. YEAGER
No. 70686
Exp. 06-30-19
CIVIL
STATE OF CALIFORNIA

REVISIONS				
NO.	DATE	INITIAL	DESCRIPTION	APP'VD/DATE

APPROVED BY:
Marc Serna, P.E.
DIRECTOR OF ENGINEERING
APRIL 2019

EASTERN MUNICIPAL WATER DISTRICT
Ed Serna, P.E.
PROJECT MANAGER
APRIL 2019

DESIGNED	RFYJ	DATE
DRAWN	GPM	04/2019
TRACED		
CHECKED	RJG	04/2019
SUBMITTED	RFYJ	04/2019

EASTERN MUNICIPAL WATER DISTRICT
RIVERSIDE COUNTY, CALIFORNIA
QUAIL VALLEY I TANK INTERIOR RECOATING PROJECT
CATHODIC PROTECTION DETAILS

SPEC. No. 1364W	
J.I.D.	9
S.A.	41
W.O.	19523
C.O.	
COORD.	29054
SHT.	3 OF 3
D-	57740
	3

SCALE: AS SHOWN