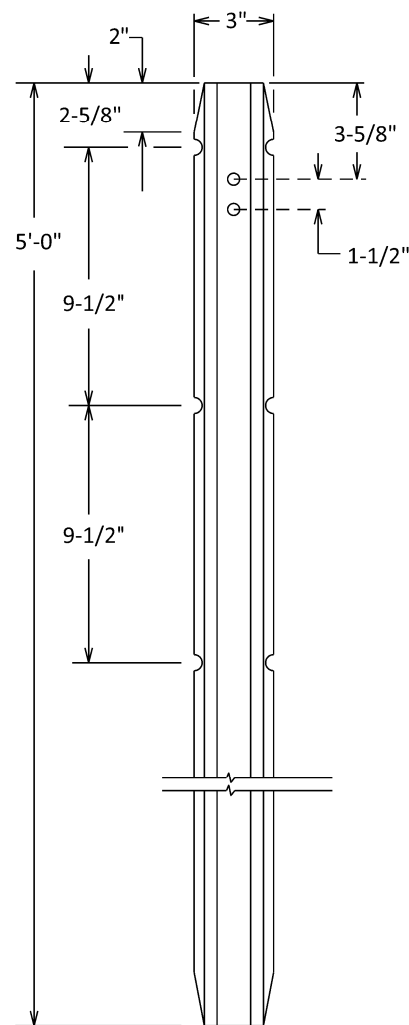
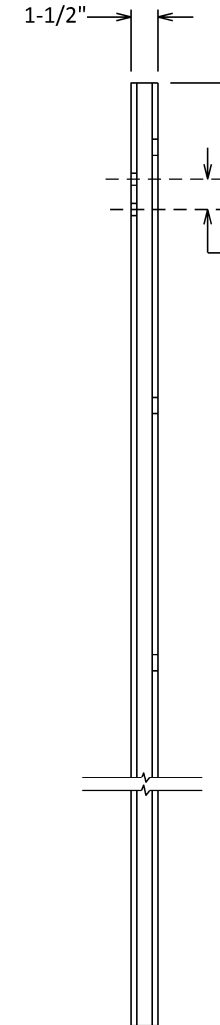


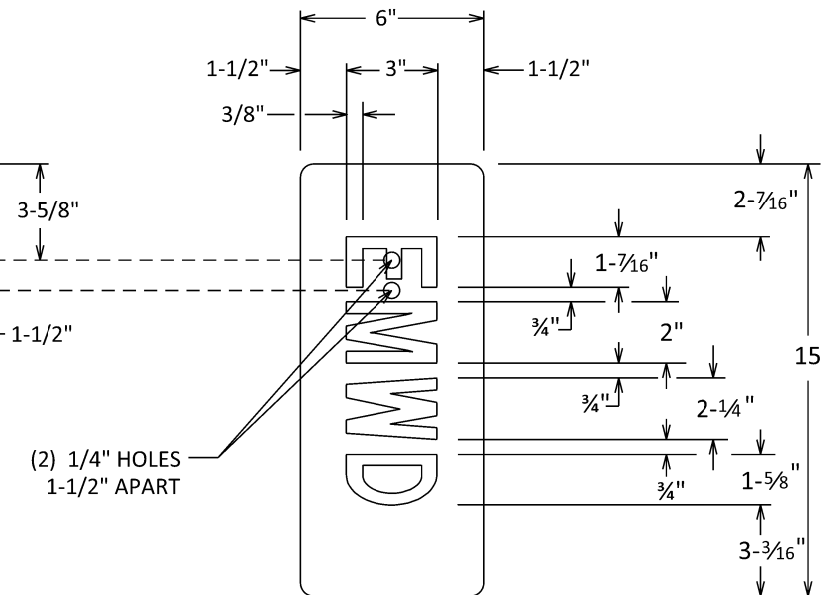
TYPICAL PLAN LOCATION
GUARD POSTS



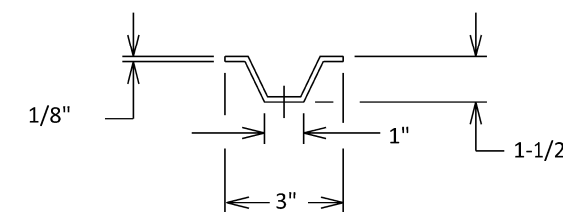
FRONT VIEW
5 FOOT STEEL MARKER POST



SIDE VIEW



SIGN



TOP VIEW

NOTES:

1. POST MATERIAL, 2.0 LBS PER FOOT; FINISH ON POST, GALVANIZED.
2. SIGN MATERIAL, .062 ALUMINUM: TO BE PAINTED WHITE WITH BLACK LETTERS.
3. SIGN TO BE PRE-PUNCHED FOR BOLT HOLES TO MATCH THOSE IN POST.
4. POST CAN BE DRIVEN.
5. SIGN TO BE ATTACHED WITH 2-2" X 1/8" BOLT & NUT AFTER INSTALLATION OF POST.

REVISIONS				APPROVALS		
NO.	DATE	INITIAL	DESCRIPTION	APP'D	DATE	DATE
						DESIGN
						CONSTRUCTION
3	5/3/19	GS	UPDATED TITLE BLOCK, FONT, AND LOGO	AGA	5/3/19	INSPECTION
2	3/23/01	GR	REVISED FILE ID NO			OPERATIONS
1	8/1/97	CRD	COMBINED A-498 AND A-504 REDRAWN ON CADD	MGM	12/19/00	SUBMITTED
REFERENCES: SUPERCEDES A-498 & A-504				SCALE: NONE		
FILE I.D.: \kauai\eng\std dwgs\B-665.dgn				DRAWN BY: CRD		
RECOMMENDED				DATE		

EASTERN MUNICIPAL WATER DISTRICT
STANDARD DRAWING

GUARD AND MARKER POSTS

APPROVED *Charlie Bachmann* 4/25/01
ASSISTANT GENERAL MANAGER DATE

B-665