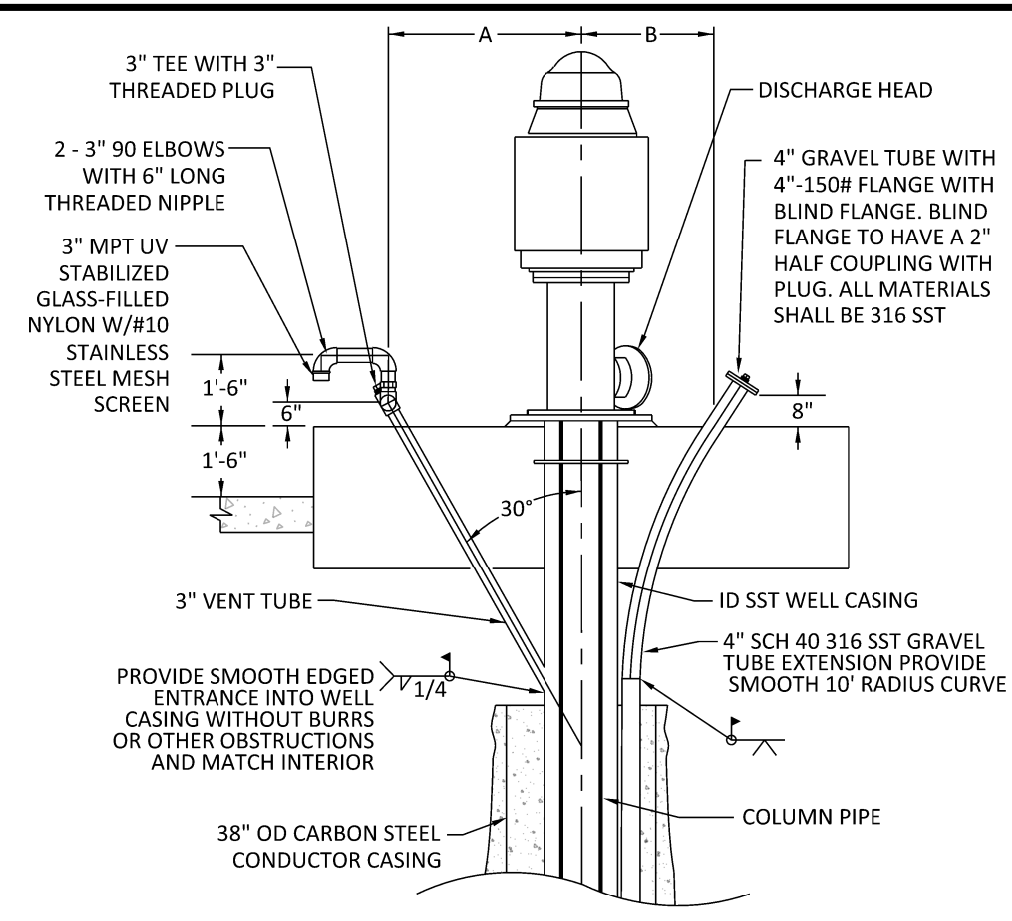
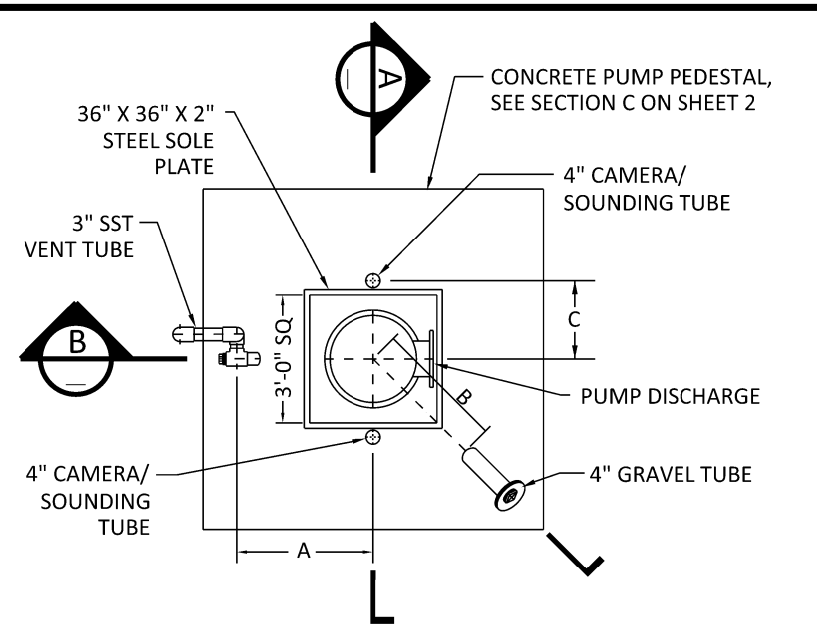


A SECTION - CAMERA/SOUNDING TUBES
NTS



B SECTION - AIR VENT AND GRAVEL TUBES
NTS



NOTE: FOR NEW WELL AS CONSTRUCTED, SEE DETAIL 1 ON SHEET 2
PUMP HEAD AND TUBES PLAN
NTS

- GENERAL NOTES**
- ALL PIPING, FITTINGS, COMPONENTS, AND MATERIALS SHALL MEET EMWD STANDARD SPECIFICATIONS FOR MATERIALS, TYPE, AND QUALITY AND SHALL MATCH EXISTING, ADJOINING PIPE MATERIALS.
 - WELL PUMP FOUNDATION CONCRETE SHALL BE CLASS "A" 3000 PSI CONCRETE.
 - REINFORCING STEEL SHALL BE GRADE 60.
 - CEMENT GROUT SANITARY SEAL SHALL BE PER EMWD STANDARDS.
 - VENT AND GRAVEL TUBING AND SOUNDING TUBES AND FITTINGS SHALL BE SCHEDULE 40, ASTM A312 AND SHALL MATCH ADJOINING PIPE/FITTINGS.
 - MATERIALS OF CONSTRUCTION FOR ALL FLANGES, CAPS, FITTINGS, PLUGS, AND APPURTENANCES SHALL MATCH THE ADJOINING TUBING MATERIAL AS SPECIFIED IN THE MATERIALS SCHEDULE HEREON.
 - REFER TO PROJECT SPECIFIC PLANS AND SPECIFICATIONS FOR ORIENTATION AND FACILITY SIZING.

- SECTION NOTES**
- MATERIALS FOR CONSTRUCTION OF GRAVEL ACCESS TUBE, AIR VENT TUBE, AND SOUNDING TUBES SHALL BE IN ACCORDANCE WITH THE WELL TUBING CONSTRUCTION MATERIALS SCHEDULE HEREON AND EMWD SPECIFICATIONS.
 - CUT CONDUCTOR CASING AS REQUIRED FOR CAMERA/SOUNDING, VENT AND GRAVEL TUBE INSTALLATION. SEAL WELD TUBE EXTENSIONS. REPLACE SANITARY SEAL PER SECTION C ON SHEET 2.
- CONSTRUCTION NOTES**
- EXCAVATE AROUND EXISTING WELL TO +/- 6-INCHES BELOW BOTTOM OF THE LOCATION WHERE THE TUBES SHALL BE CUT AND NEW TUBES BE CONNECTED.
 - CUT CONDUCTOR CASING AS REQUIRED FOR ACCESS TUBES.
 - CUT EXISTING TUBES AND EXTEND AS SHOWN.
 - DEMONSTRATE FUNCTIONALITY OF CAMERA/SOUNDING TUBES.
 - REPLACE/REPAIR SANITARY SEAL PER SECTION C ON SHEET 2.
 - INSTALL AIR VENT TUBE AS SHOWN PRIOR TO SANITARY SEAL.
 - CONSTRUCT PUMP PEDESTAL AS SHOWN.
 - SEE CASING AND TUBING SCHEDULES.

WELL TUBING CONSTRUCTION MATERIALS SCHEDULE

TUBING DESCRIPTION	DIAMETER	TYPE OF WELL (PER EMWD SPECIFICATIONS)	
		STAINLESS STEEL WELL CASING AND SCREEN	
AIR VENT	3"	SCH40, TYPE 316L, ASTM A312	
GRAVEL	4"	SCH40, TYPE 316L, ASTM A312	
CAMERA/SOUNDING	4"	SCH40, TYPE 316L, ASTM A312	
PIPE FITTINGS	2", 3", 4"	SCH40, TYPE 316, ASTM A182	

WELL CASING AND CONDUCTOR CASING SCHEDULE

EXISTING SST I.D. WELL CASING DIAMETER	O.D. CONDUCTOR CASING DIAMETER	WELL SHEAR RING (I.D. x O.D. x THICKNESS)	WELL HEAD DIMENSIONS		
			A	B	C
16"	38"	16 3/4" x 24" x 3/4"	33"	33"	22"
18"	38"	18 3/4" x 26" x 3/4"	34"	34"	23"
20"	38"	20 3/4" x 28" x 3/4"	35"	35"	24"

ABBREVIATIONS AND LEGEND

SST STAINLESS STEEL
SCH SCHEDULE
* DENOTES DIMENSION BASED ON ACTUAL MATERIAL FURNISHED. CONTRACTOR SHALL FIELD VERIFY DIMENSIONS WITH ACTUAL MATERIAL PROVIDED.

REVISIONS				APPROVALS		
NO.	DATE	INITIAL	DESCRIPTION	APP'D	DATE	
						DESIGN GK 12/15/22
						CONSTRUCTION BM 12/15/22
						INSPECTION
						OPERATIONS JD 12/15/22
						SUBMITTED SV 12/15/22

REFERENCES:	SCALE: NONE
FILE I.D.: J:\Master CAD Files - Restricted\B-1024.dgn	DRAWN BY: GS

RECOMMENDED	Shawn Stone	1/3/23
	SENIOR DIRECTOR OF ENGINEERING	DATE

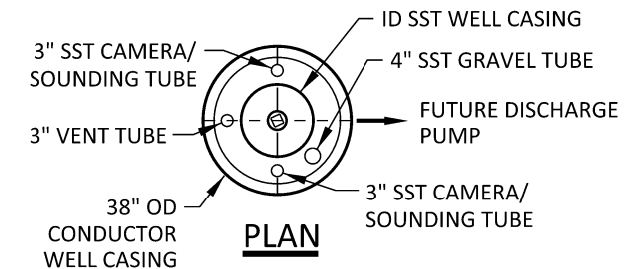
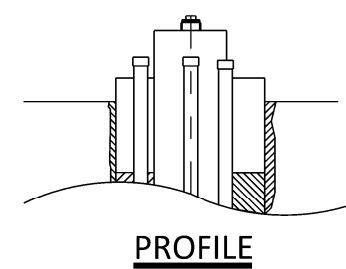
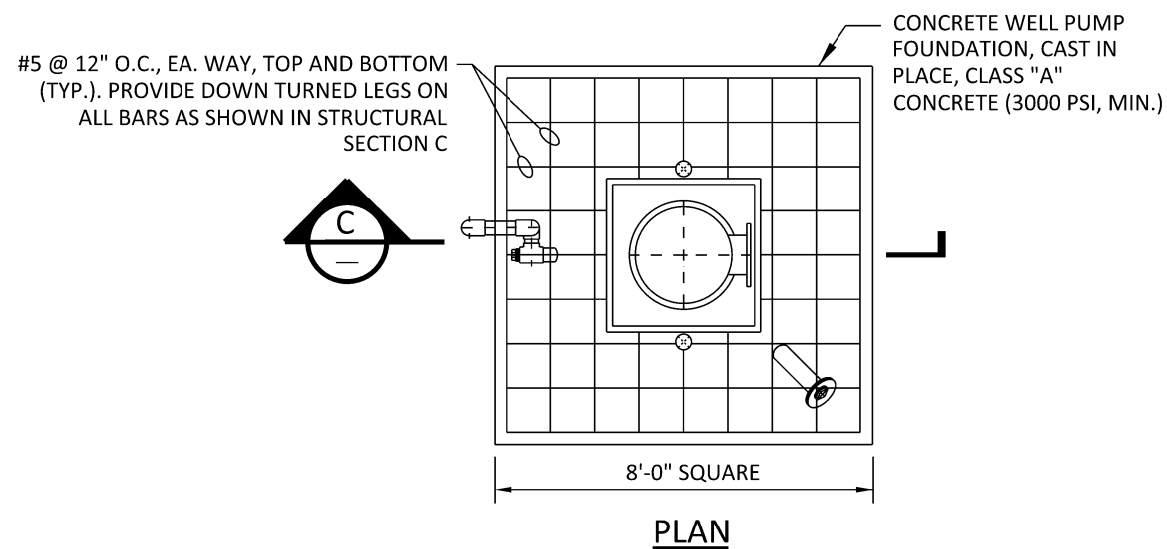
EASTERN MUNICIPAL WATER DISTRICT
STANDARD DRAWING

WELLHEAD PUMP FOUNDATION

SHEET 1 OF 2

APPROVED Lanaya Alexander 1/3/23
ASSISTANT GENERAL MANAGER DATE

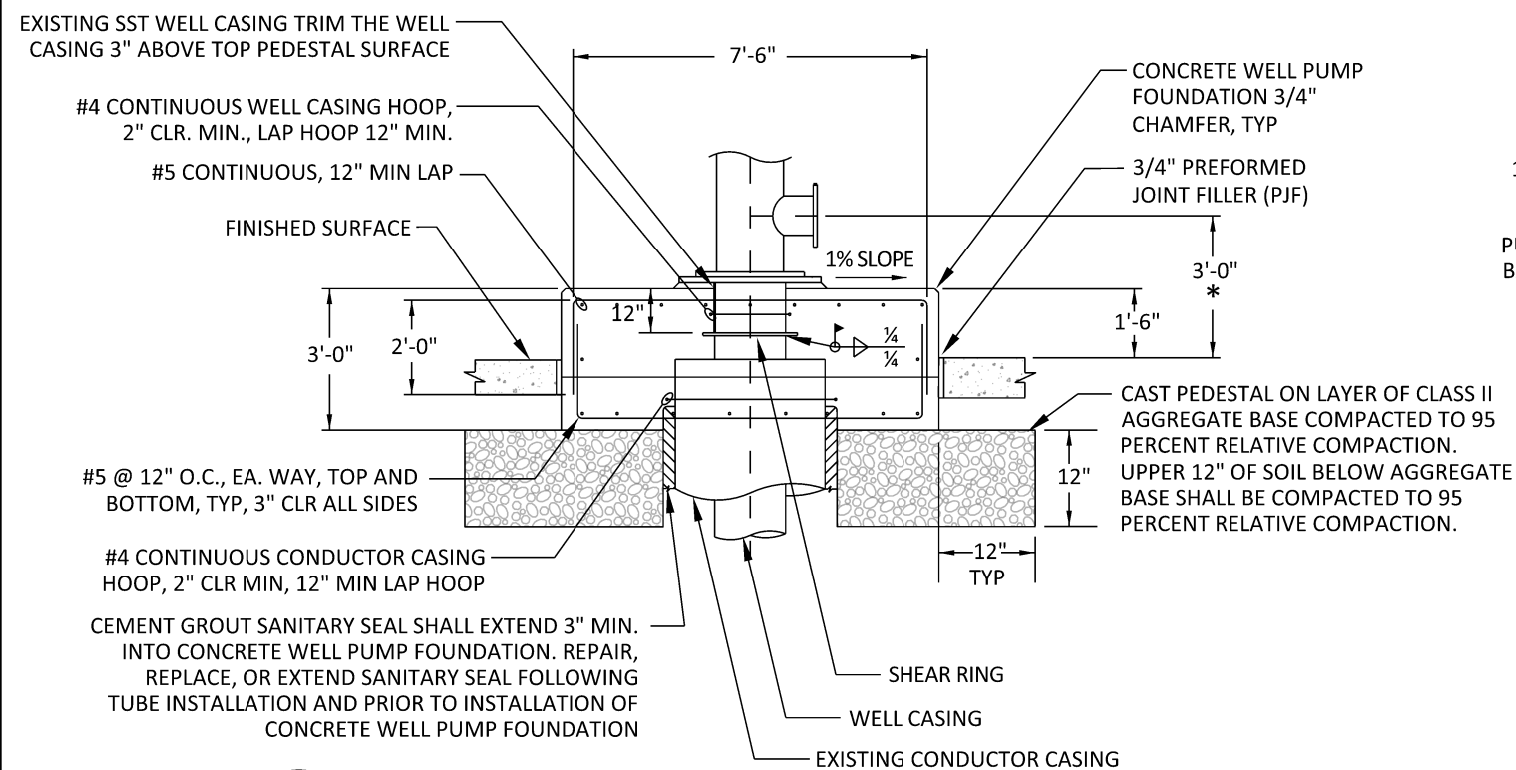
B-1024



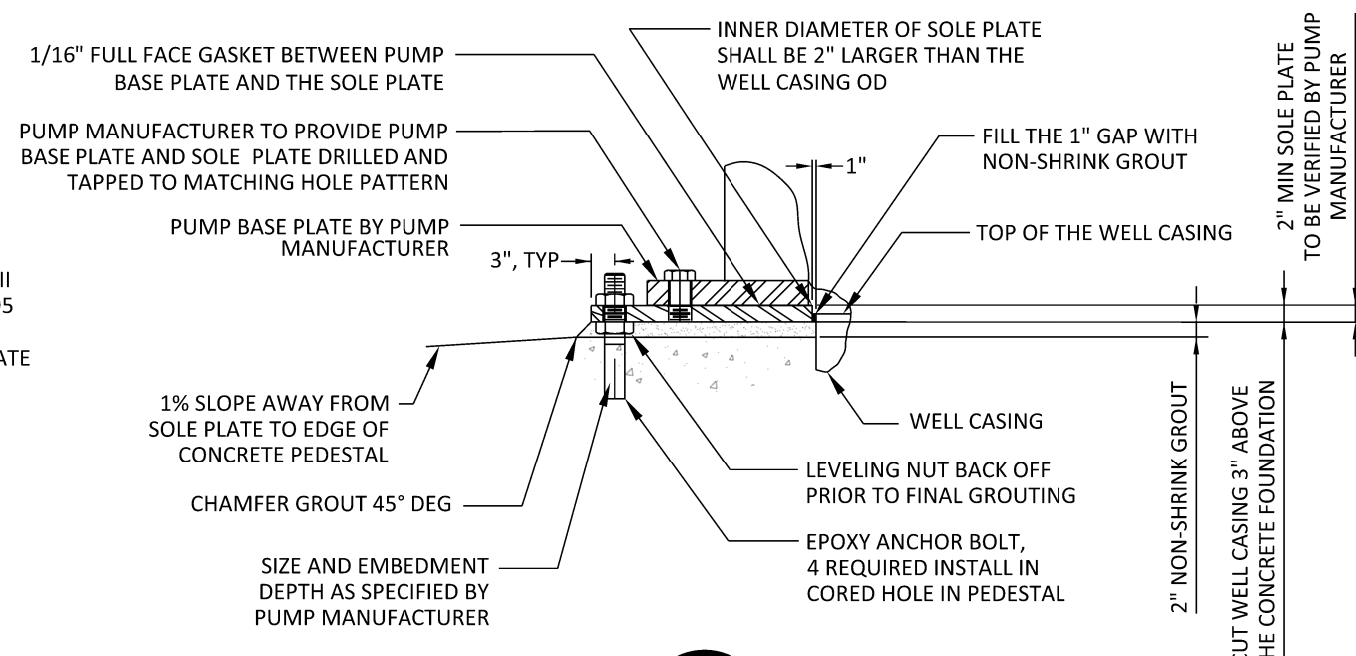
NOTES

1. FIELD VERIFY LOCATION OF CAMERA/SOUNDING, VENT, AND GRAVEL TUBES.
2. ATTACH TUBE EXTENSIONS AS SHOWN TO FIT DESIGN
3. NOTIFY ENGINEER IMMEDIATELY IF FIELD-VERIFIED TUBE LOCATIONS DIFFER SIGNIFICANTLY FROM THAT SHOWN
4. CONTRACTOR TO EXTEND CONDUCTOR CASING TO ACHIEVE THE REQUIRED HEIGHT PER DRAWINGS.

1 NEW WELL AS CONSTRUCTED DETAIL
NTS



C SECTION - CONCRETE PUMP PEDESTAL STRUCTURAL DETAIL
NTS



2 SOLE PLATE DETAIL
NTS

REVISIONS						APPROVALS			EASTERN MUNICIPAL WATER DISTRICT STANDARD DRAWING	
NO.	DATE	INITIAL	DESCRIPTION	APP'D	DATE		INITIAL	DATE	WELLHEAD PUMP FOUNDATION	
						DESIGN	GK	12/15/22		
						CONSTRUCTION	BM	12/15/22		
						INSPECTION				
						OPERATIONS	JD	12/15/22		
						SUBMITTED	SV	12/15/22		
REFERENCES:				SCALE: NONE		RECOMMENDED			SHEET 2 OF 2	
FILE I.D.: J:\Master CAD Files - Restricted\B-1024.dgn				DRAWN BY: GS		APPROVED <u>Shawn Stone</u> 1/3/23 SENIOR DIRECTOR OF ENGINEERING DATE			APPROVED <u>Lanaya Alexander</u> 1/3/23 ASSISTANT GENERAL MANAGER DATE	
									B-1024	