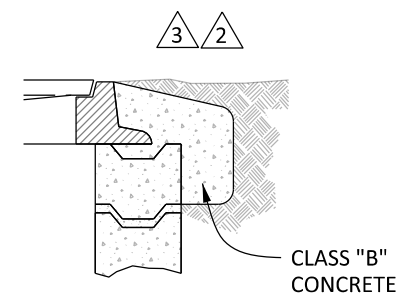


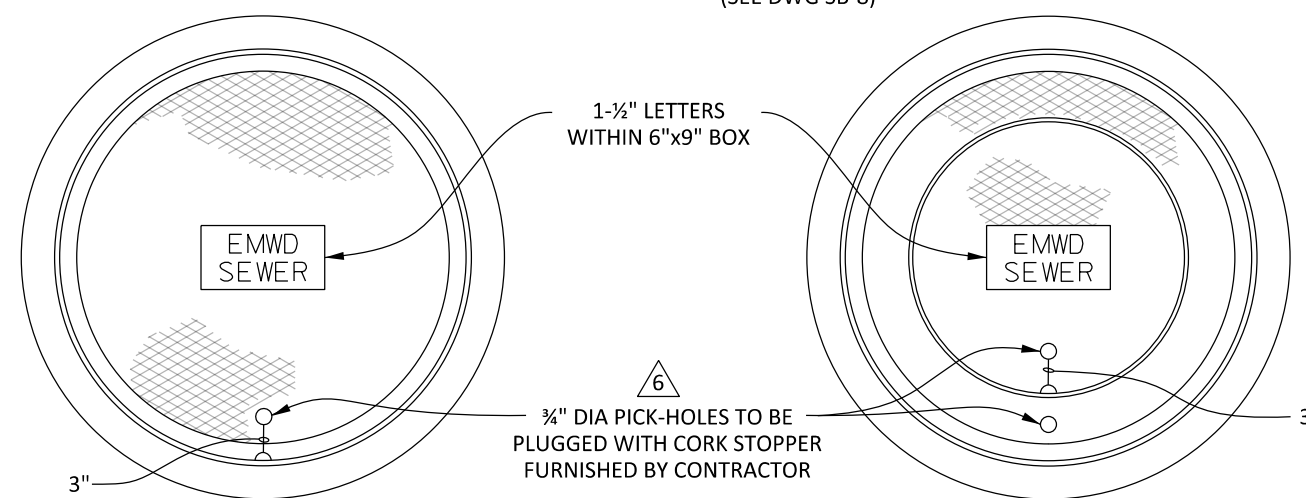
**OPEN FIELD**  
REQUIRES LOCKING MANHOLE COVER (SEE DWG SB-8)

**PAVED ROADWAY**

- NOTES:**
1. MANHOLE COVER SHALL BE DESIGNED FOR AASHO H-20 LOADING.
  2. CAST IRON SHALL HAVE A MINIMUM TENSILE STRENGTH OF 3000 LBS PER SQUARE INCH.
  3. MANHOLE COVER SHALL BE ALHAMBRA FOUNDRY CO TYPE A-1254 FOR 24" CLEAR OPENING OR A-1325 FOR 36" CLEAR OPENING WITH A TWO-PIECE COVER ASSEMBLY (OR APPROVED EQUAL).
  4. MARKER POSTS SHALL BE INSTALLED TO MARK MANHOLE LOCATIONS IN UNIMPROVED AREAS.
  5. CONTRACTOR TO USE MANHOLES WITH 24" CLEAR OPENING FOR SEWERS 24" DIA AND SMALLER AND 36" CLEAR OPENING FOR SEWERS LARGER THAN 24" DIA UNLESS OTHERWISE DIRECTED BY ENGINEER.
  6. USE TWO-PIECE COVER ASSEMBLY FOR 36" CLEAR OPENING UNLESS OTHERWISE DIRECTED BY ENGINEER.
  7. ONE-PIECE COVER SHOWN HERE IS FOR 24" CLEAR OPENING FOR 36" CLEAR OPENING REFER TO MANUFACTURER'S CATALOG.
  8. USE TWO-PIECE SHALLOW MH COVER BY SOUTH BAY FOUNDRY SBF-1348 (OR APPROVED EQUAL) FOR SHALLOW MANHOLES PER SB-30.

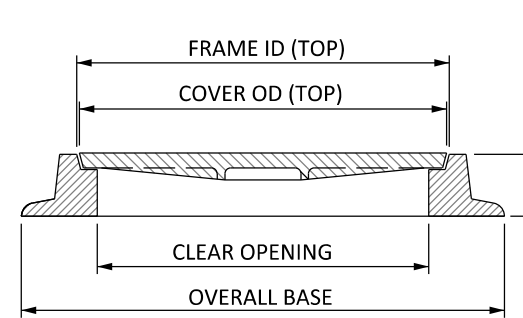


**ROADWAY SHOULDER OR DIRT ROADWAY**  
USE AC APRON ON ALL UNIMPROVED ROADS (SEE STD DWG SA-47)

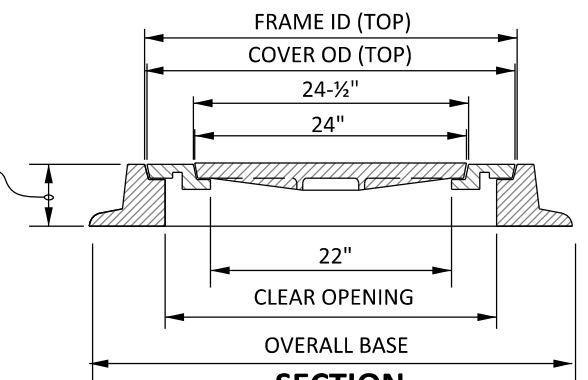


**TOP VIEW**

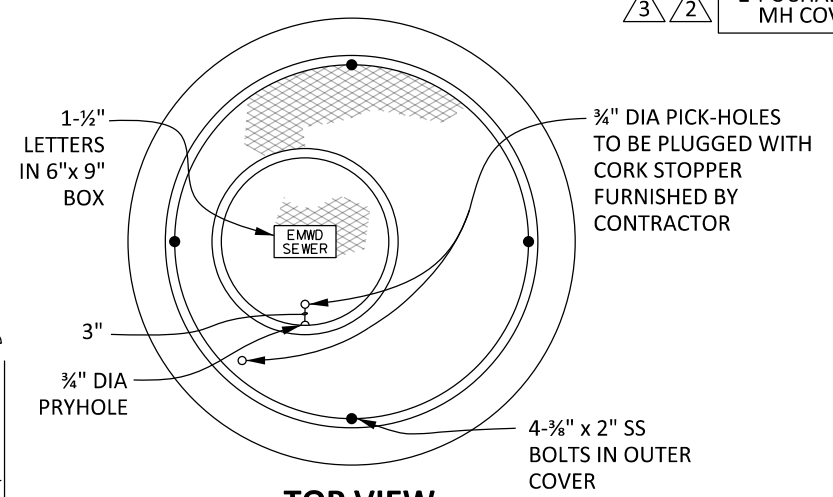
**TOP VIEW TWO-PIECE COVER**



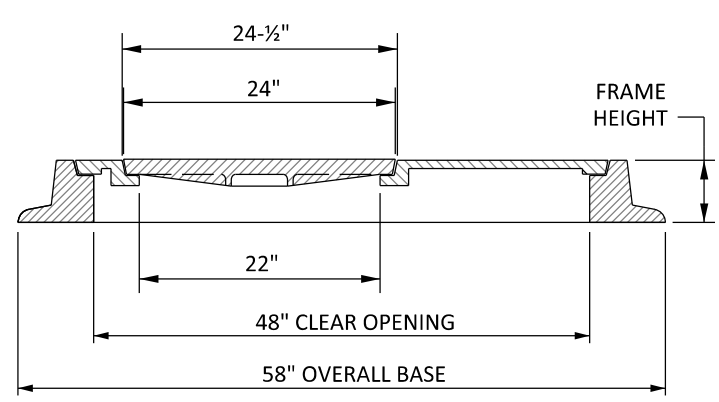
**SECTION**



**SECTION**



**TOP VIEW**  
TWO-PIECE SHALLOW MH COVER



**SECTION**  
TWO-PIECE SHALLOW MH COVER

MANHOLE COVER & FRAME REQUIRED DIMENSIONS					
CLEAR OPENING	COVER O.D.	FRAME I.D.	FRAME HEIGHT	OVERALL BASE	TOTAL WEIGHT
24"	25-1/2"	25-3/4"	3-1/2"	32"	305 LBS.
36"	38"	38-1/4"	6"	44"	600 LBS.
36" TWO PIECE	38-1/8"	38-5/8"	6"	44"	850 LBS.
2-PC SHALLOW MH COVER	50 1/2"	50 3/4"	4-1/2"	58"	1320 LBS.

REVISIONS				APPROVALS			
NO.	DATE	INITIAL	DESCRIPTION	APP'D	DATE	INITIAL	DATE
6	9/29/23	GS	CONSOLIDATED CALLOUTS	ACA	9/29/23		
5	7/3/19	GS	UPDATED TITLE BLOCK, FONT AND LOGO	ACA	7/3/19		
4	1/9/03	CM	REVISED 24" COVER & FRAME I.D.	VJB	10/15/03		
3	7/21/97	KER	REVISED SHALLOW MANHOLE COVER	VJB	10/28/97	LM	10/23/95
2	8/5/96	KER	ADDED N2-PC RECTANGULAR COVER	VJB	8/7/96	VJB	10/20/95

REFERENCES:	SCALE: NONE	RECOMMENDED <i>Joseph D. Van Sickle</i> 10/20/95 DIRECTOR OF ENGINEERING DATE
FILE I.D.: J:\Master CAD Files - Restricted\SB-61	DRAWN BY: KER	



EASTERN MUNICIPAL WATER DISTRICT  
**STANDARD DRAWING**

**MANHOLE COVER AND FRAME  
STANDARD & WATERTIGHT MANHOLES**

APPROVED *G. Hooite Ruge* 10/20/95  
ASSISTANT GENERAL MANAGER DATE

**SB-61**