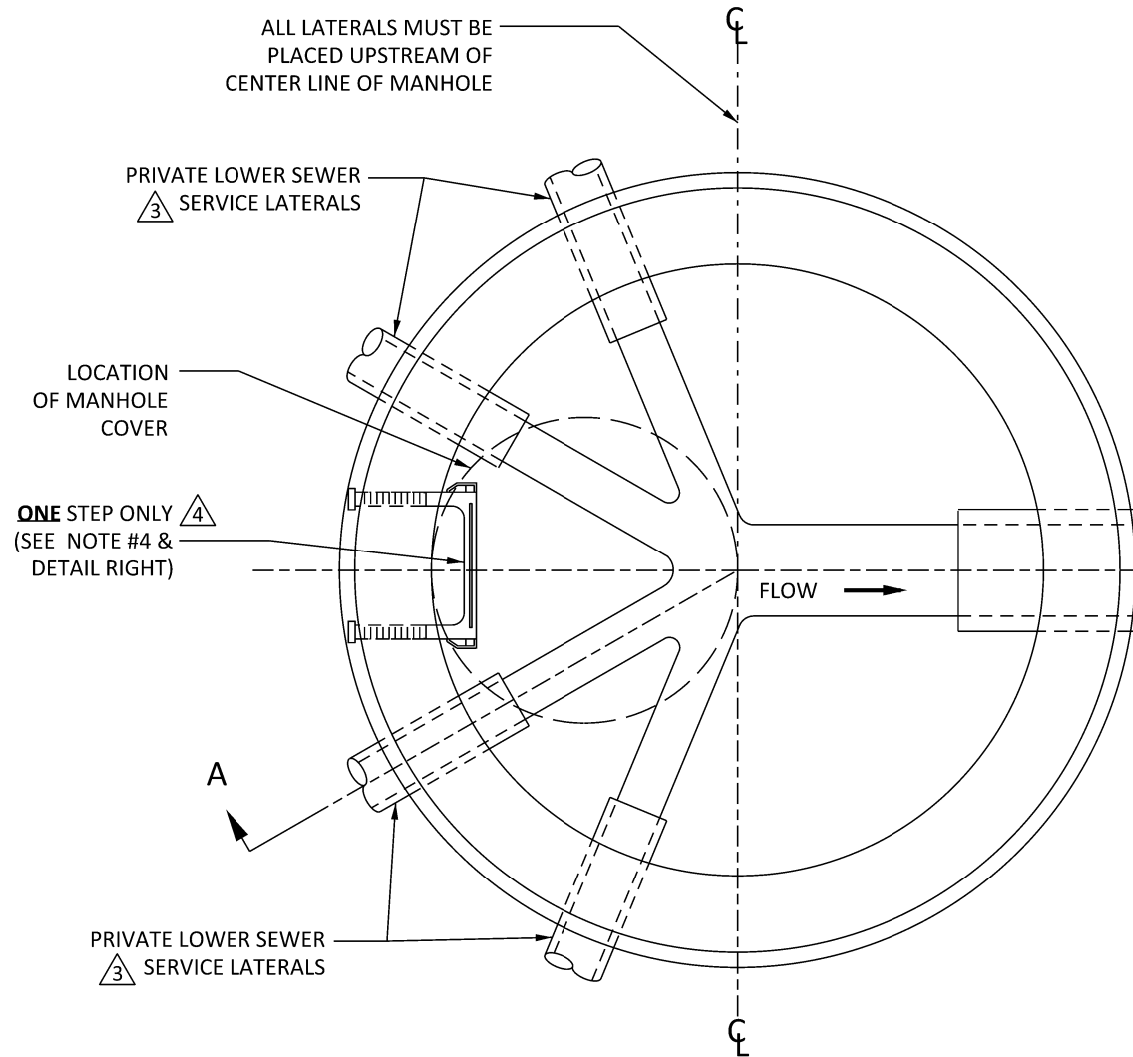
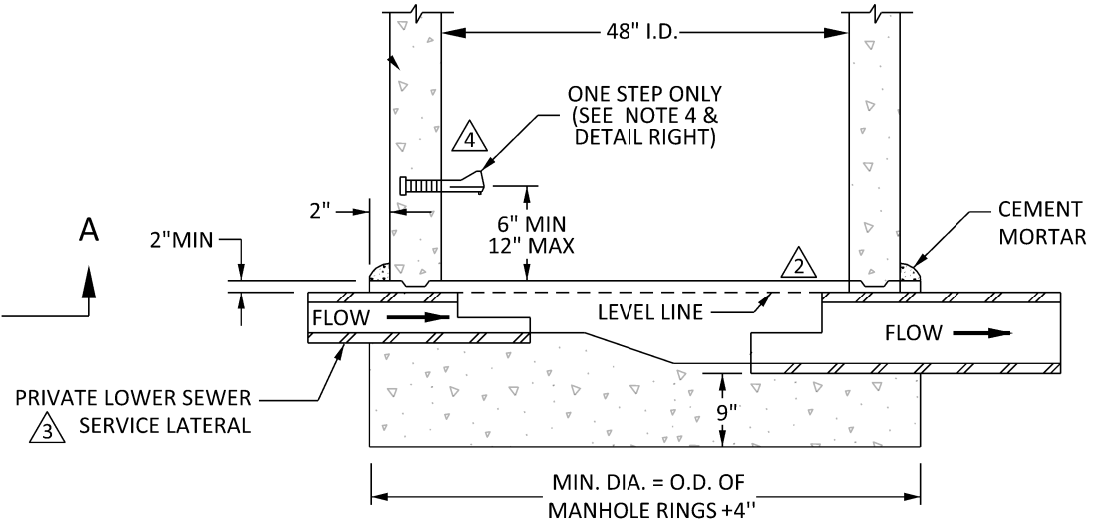


NOTES:

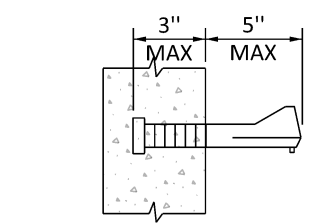
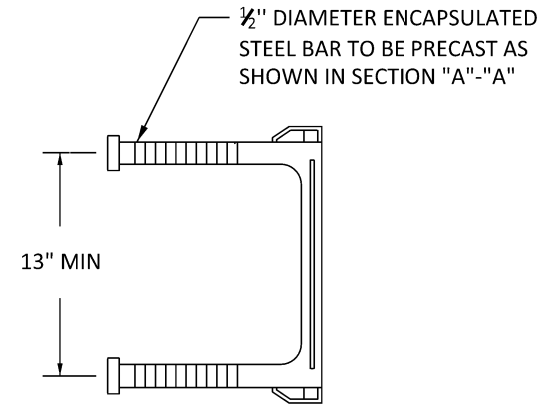
1. REFER TO STANDARD DRAWINGS OF MANHOLES FOR DETAILS PERTAINING TO MANHOLES ONLY.
2. THE TOP ONE-HALF DIAMETER OF THE PIPE IS TO BE BROKEN OUT TO A NEAT LINE. BROKEN EDGES SHALL BE PLASTERED SMOOTH WITH CEMENT MORTAR.
3. THE MAXIMUM NUMBER OF PRIVATE LOWER SEWER SERVICE LATERALS INTO A TERMINUS MANHOLE SHALL BE LIMITED TO SIX.
4. MANHOLE STEP (ONE STEP ONLY) SHALL BE EITHER CAST IN PLACE OR M.A. INDUSTRIES STEEL REINFORCED COPOLYMER POLYPROPYLENE PLASTIC DRIVE-IN STEP. INSTALLATION TO BE BY MANHOLE MANUFACTURER. STEP ORIENTED 180° FROM MANHOLE OUTLET. STEP SHALL BE CAST IN PLACE TO BE USED AS CLEANING HOOK AND SHALL BE PLACED 6" MIN AND 12" MAX FROM TOP OF SHELF.




PLAN VIEW
TERMINUS MANHOLE
WITH HOUSE LATERALS



SECTION "A"- "A"



MANHOLE STEP DETAILS
USED AS CLEANING HOOK
(ONE STEP ONLY, SEE NOTE 4)

REVISIONS				APPROVALS			EASTERN MUNICIPAL WATER DISTRICT STANDARD DRAWING		
NO.	DATE	INITIAL	DESCRIPTION	APP'D	DATE	DESIGN	INITIAL	DATE	
4	7/7/21	GS	REVISED MANHOLE STEP DETAILS AND ADDED NOTE #4	AGA	7/7/21	DESIGN	JUS	3/27/86	
3	6/28/19	GS	UPDATED FONT, TITLE BLOCK, ADDED PRIVATE SEWER SERVICE, AND NOTE NUMBER 3	AGA	6/28/19	CONSTRUCTION	JEW		
2	9/22/06	RE	REVISED #3 NOTE & LEVEL LINE A-A	JM	9/25/06	INSPECTION	DWH		
1	2/3/99	GR	REDRAWN WITH CADD ON MYLAR	VJB	4/29/99	OPERATIONS	LMM	5/13/86	
REFERENCES:				SCALE: NONE				TERMINUS MANHOLE WITH PRIVATE LOWER SEWER SERVICE LATERALS	
FILE I.D.: \kauai\eng\std dwgs\SB-58.dgn				DRAWN BY: GS					
RECOMMENDED						DIRECTOR OF ENGINEERING DATE		SB-58	