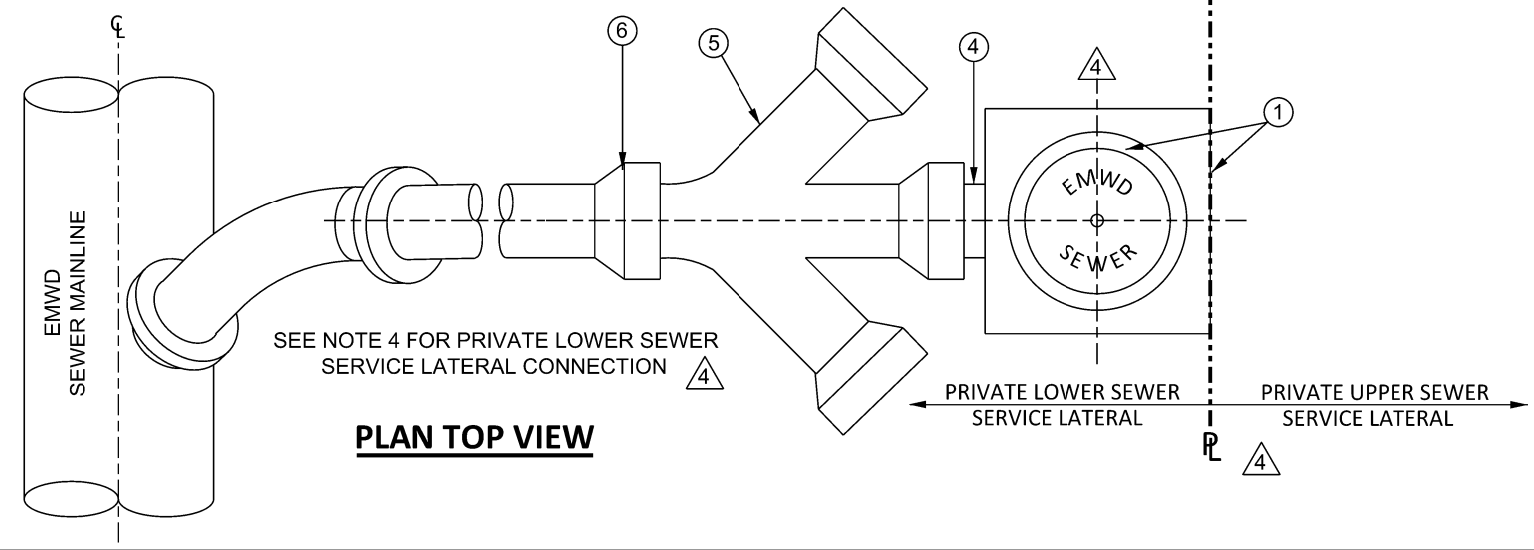


NOTES:

1. ALL MATERIALS MUST BE APPROVED BY EMWD.
2. USE CLASS "A" CONCRETE THROUGHOUT.
3. WYES NOT BEING USED MUST HAVE PLUGS CEMENTED IN PLACE WITH CEMENT MORTAR OR SHALL HAVE NEOPRENE PLUGS OR APPROVED EQUAL.
4. FOR PRIVATE LOWER SEWER SERVICE LATERAL CONNECTIONS SEE SB-176 & SB-177.
5. MINIMUM LATERAL SLOPE MUST BE .020 UNLESS OTHERWISE SPECIFIED ON PLAN AND PROFILE.
6. WYES MUST BE A MINIMUM OF 5'0" DEEP FROM TOP OF SURFACE TO TOP OF WYE AT THE PROPERTY LINE.

MATERIALS LIST

ITEM	DESCRIPTION
①	CLEANOUT COVER & FRAME ALHAMBRA FOUNDRY A-1241 OR APPROVED EQUAL
②	DOLLAR TEST PLUG
③	6" SEWER PIPE
④	6" 1/4 BEND LONG RADIUS ELBOW OR 4" WHEN SPECIFIED
⑤	6" X 6" DOUBLE WYE OR 4" WHEN SPECIFIED
⑥	6" LATERAL PER SB-177



REVISIONS				APPROVALS		
NO.	DATE	INITIAL	DESCRIPTION	APP'D	DATE	DATE
④	7/2/19	GS	UPDATED TITLE BLOCK, FONT AND LOGO	AGA	7/2/19	DESIGN
③	5/4/10	RE	REVISED NOTE NO. 5	AGA	5/6/19	CONSTRUCTION
②	3/5/01	GR	REVISED FILE ID NO.	VJB	3/26/03	INSPECTION
①	1/25/99	GR	REDRAWN WITH CADD ON MYLAR	VJB	4/29/99	OPERATIONS
REFERENCES:				SCALE: NONE		
FILE I.D.: \kauai\eng\std dwgs\SB-52A.dgn				DRAWN BY: GH		
				RECOMMENDED		
				DIRECTOR OF ENGINEERING		
				DATE		



EASTERN MUNICIPAL WATER DISTRICT STANDARD DRAWING	
SEWER TREE LATERALS AND CLEANOUT	
APPROVED <i>James H. Bunts, Jr.</i>	3/13/85
ASSISTANT GENERAL MANAGER	DATE
SB-52A	④