

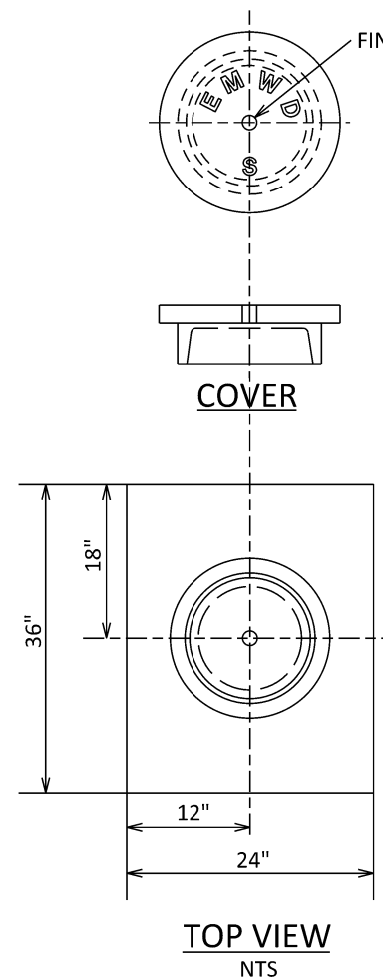
MATERIALS LIST

- ① BROOKS 1-RT VALVE BOX MARKED "SEWER," OR APPROVED EQUAL.
- ② THREADED CAP WITH SQUARE NUT.
- ③ MINIMUM 3-1/2" SEWER PIPE PER UNIFORM PLUMBING CODE.
- ④ SDR 35 WYE FITTING WITH SOLVENT WELDS ON ALL THREE ENDS. PROVIDE GREEN TRANSITION GLUE BETWEEN SDR WYE AND ONSITE ABS PIPE TRANSITION.
- ⑤ MINIMUM 4" LATERAL, OR AS SHOWN ON PLANS, PER EMWD STANDARDS.

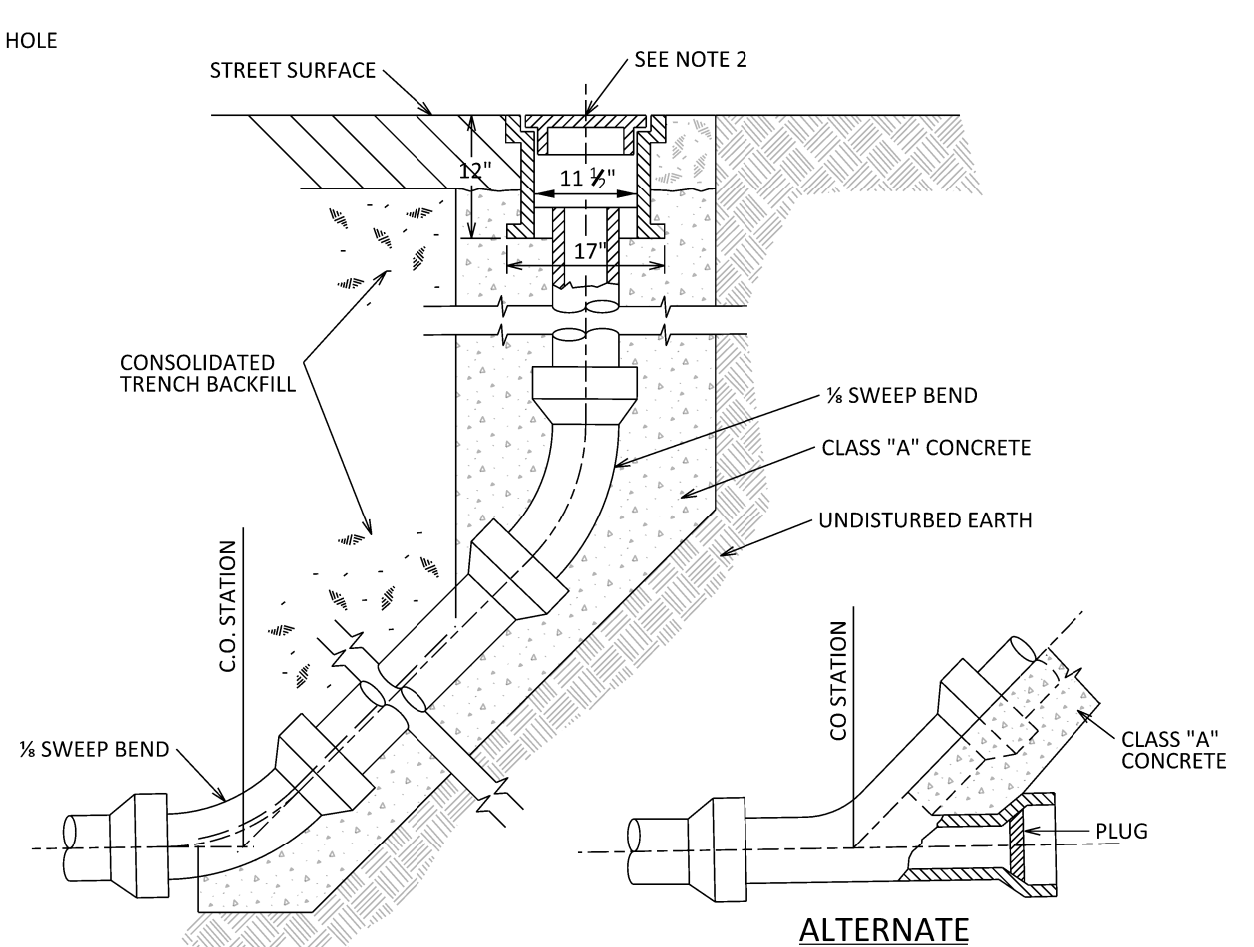
NOTES:

- 1. PLACE CLEANOUT A MAXIMUM OF 3' BEHIND PROPERTY LINE OR EDGE OF EASEMENT.
- 2. LID MUST BE CAST IRON FOR LOCATING PURPOSES, MARKED "SEWER."

PRIVATE ON-SITE SEWER SERVICE CLEANOUT
NTS



TOP VIEW
NTS



NOTES:

- 1. CLEANOUT PIPE MUST BE THE SAME DIAMETER AND MATERIAL AS MAIN LINE SEWER.
- 2. CASTING SHALL BE ALHAMBRA FOUNDRY NUMBER A-2303-B OR APPROVED EQUAL.
- 3. COVER, FRAME, AND CONCRETE PAD ARE TYPICAL FOR 8" I.D. MAIN LINE SEWERS ONLY.
- 4. USE CLASS "A" CONCRETE THROUGHOUT.
- 5. PLUGS SHALL BE CEMENTED IN PLACE WITH CEMENT MORTAR OR SHALL BE NEOPRENE PLUG OR APPROVED EQUAL.
- 6. STATION OF LOWER 1/8 BEND OR WYE SHALL CORRESPOND TO THE CLEANOUT STATION SHOWN ON THE CONSTRUCTION DRAWINGS WITH CLEANOUT CONSTRUCTION EXTENDED BEYOND THAT POINT AS NECESSARY.

MAIN LINE CLEANOUT
NTS

REVISIONS						APPROVALS			EASTERN MUNICIPAL WATER DISTRICT STANDARD DRAWING	
NO.	DATE	INITIAL	DESCRIPTION	APP'D	DATE	DESIGN	INITIAL	DATE		
						CONSTRUCTION				
③	1/20/23	GS	REVISED NOTES AND PRIVATE LOWER AND UPPER LATERAL DETAIL	AGA	1/20/23	INSPECTION				
④	3/5/01	GR	ADDED NEW TITLE BLOCK & FILE ID NO	VJB	3/26/03	OPERATIONS				
①	2/10/97	KER	REDRAWN W/CADD ON MYLAR	VJB	4/23/97	SUBMITTED				
REFERENCES: SUPERCEDES SA-90				SCALE: NONE		RECOMMENDED _____ DIRECTOR OF ENGINEERING			APPROVED <i>Doyle F. Boen</i> ASSISTANT GENERAL MANAGER	
FILE I.D.: \kauai\eng\std dwgs\SB-52.dgn				DRAWN BY: KER						



**SEWER CLEANOUTS
MAINLINE & ON-SITE**

APPROVED *Doyle F. Boen* 8/63
ASSISTANT GENERAL MANAGER DATE

SB-52

