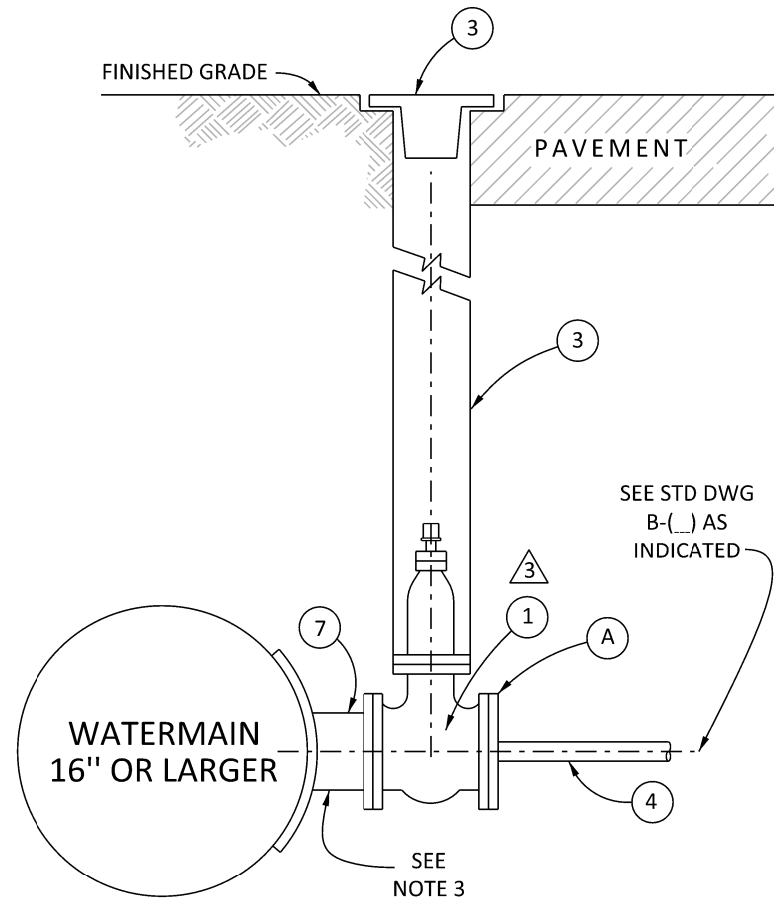


**WATER LATERAL**

SEE STD DWG  
B-( ) AS  
INDICATED



**WATERMAIN 16" OR LARGER**

SEE STD DWG  
B-( ) AS  
INDICATED


SEE  
NOTE 3

**MATERIAL LIST**

ITEM	QTY.	DESCRIPTION	STANDARD DRAWING
1	1 ea.	4" R.S.G.V. OR B.F.V.	
2	1 ea.	X"xX"x4" HxHxF or FxFxF TEE	
3	1 ea.	VALVE CAP AND RISER PER B-668 <sup>4</sup>	
4	(A)	1" SERVICE - COPPER	B-590, B-590-A <sup>3</sup> B-591 <sup>4</sup>
	1 ea.	4"x 2" COMPANION FLANGE	
	1 ea.	2"x 1" TxT BRASS BUSHING	
	1 ea.	1" I.P.M.x 1" TUBE SIZE COMPRESSION CORP	
<sup>2</sup>	(A)	1-1/2" SERVICE - COPPER	B-342, B-342-A
	1 ea.	4"x 2" COMPANION FLANGE	
	1 ea.	2"x 1-1/2" TxT BRASS BUSHING	
(A)	1 ea.	1-1/2" I.P.M.x 1-1/2" TUBE SIZE COMPRESSION CORP	B-344, B-344-A <sup>4</sup>
	1 ea.	2" SERVICE - COPPER	
	1 ea.	4"x 2-1/2" COMPANION FLANGE	
(A)	1 ea.	2-1/2"x 2" TxT BRASS BUSHING	B-633, B-634 <sup>3</sup>
	1 ea.	2" I.P.M.x 2" TUBE SIZE COMPRESSION CORP	
	1 ea.	4" SERVICE	
5	16 ea.	5/8 "x 3" BOLTS	
6	2 ea.	4" GASKETS	
7	1 ea.	4" FLANGED TAPPING SADDLE OUTLET (CML&C) OR 4"x W/L SIZE - TAPPING SLEEVE (ACP, DI, PVC)	
<sup>1</sup>			

**NOTES:**

1. ALL MATERIALS SHALL CONFORM TO EMWD STANDARDS AND SPECIFICATIONS.
2. ALL MATERIALS SHALL BE SUBJECT TO EMWD APPROVAL.
3. FOR CONNECTIONS TO EXISTING WATER MAINS, TAP TO BE PERFORMED BY EMWD FORCES.

REVISIONS				APPROVALS			 EASTERN MUNICIPAL WATER DISTRICT	EASTERN MUNICIPAL WATER DISTRICT STANDARD DRAWING		
NO.	DATE	INITIAL	DESCRIPTION	APP'D	DATE	INITIAL		DATE	SERVICE CONNECTION 1" THRU 4" ON WATER APPURTENANCE LATERAL OR WATERMAIN 16" OR LARGER	
<sup>4</sup>	5/6/19	GS	UPDATED TITLE BLOCK, FONT, LOGO AND TABLE	AGA	5/6/19	KER	7/10/95	APPROVED <u>G. Hooite Ruggie</u> 10/20/95 ASSISTANT GENERAL MANAGER DATE		
<sup>3</sup>	9/22/06	RE	REVISED MATERIAL LIST	JM	9/25/06					
<sup>2</sup>	1/11/03	CM	REVISED MATERIAL LIST TO BRASS BUSHING	VJB	10/15/03	ML	10/19/95			
<sup>1</sup>	11/6/95	KER	REVISED NOTE 1 & DELETED NOTE 8	VJB	11/6/95	VJB	7/10/95			
REFERENCES: SUPERCEDES A-534				SCALE: NONE			RECOMMENDED <u>Joseph D. VanSickle</u> 10/19/95 DIRECTOR OF ENGINEERING DATE			
FILE I.D.: \kauai\eng\std dwgs\B-658.dgn				DRAWN BY: KER					B-658 <sup>4</sup>	