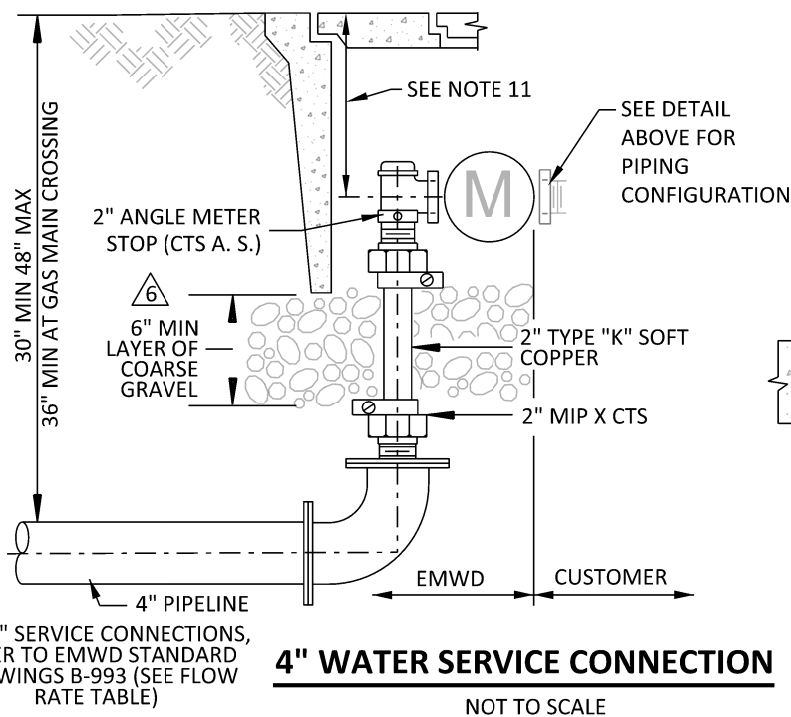


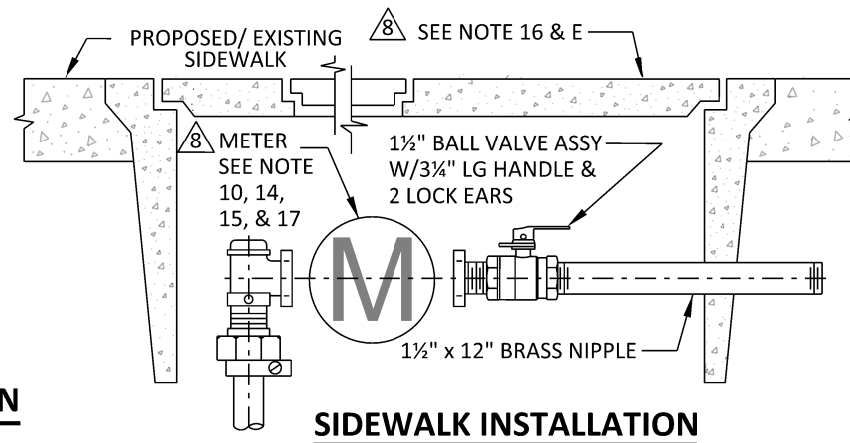
2" WATER SERVICE CONNECTION 1½" METER
NOT TO SCALE



4" WATER SERVICE CONNECTION
NOT TO SCALE

FLOW RATE TABLE

LATERAL SIZE	METER SIZE	FLOWRATE (GPM)	VELOCITY (ft/s)	METER LENGTH
2" COPPER	1½" MULTIJET	75	8.00	13"
4" SERVICE	1½" MULTIJET	75	2.00	13"
4" SERVICE	1½" OMNI R2	150	3.18	13"



SIDEWALK INSTALLATION

GENERAL NOTES

1. ALL FITTINGS AND PIPING FROM THE ANGLE STOP VALVE TO THE BALL VALVE NIPPLE SHALL :
 - A. BE MADE OF BRASS OR BRONZE;
 - B. BE OF THE BANDED PATTERN;
 - C. BE DESIGNED FOR A MIN OF 175 PSI (COLD) WATER WORKING PRESSURE.
2. PRESSURE TEST PER EMWD SPECIFICATIONS.
3. ALL BARE IRON AND STEEL SHALL BE COATED WITH CEMENT MORTAR AS PER THE FIELD ENGINEER.
4. ALTERNATE MATERIALS MAY BE USED UPON APPROVAL BY THE ENGINEER.
5. CORPORATION STOP, FITTINGS, AND SERVICE LINE WITHIN 3 FEET OF SADDLE SHALL BE PRIMED AND WRAPPED WITH APPROVED COAL-TAR RESIN TAPE.
6. ALL SERVICE PIPE AND TUBING SHALL BE LAID ON A POSITIVE SLOPE UP FROM THE WATER MAIN TO THE METER. NO DIPS OR POCKETS IN THE LINE WILL BE PERMITTED. 36" COVER SHALL BE AT GAS MAIN CROSSINGS.
7. THREAD NOTATION SHOWN THUS:
 - IP = IRON PIPE THREAD;
 - CS = CORPORATION STOP (MUELLER) THREAD;
 - CT = COPPER SERVICE THREAD.
8. METER BOX SHALL BE EMWD APPROVED 13" x 24" COMPLETE WITH TWO PIECE COVER, LID, AND ONE (1) - 7" EXTENSION WITH KNOCKOUTS AND AMR/AMI ANTENNA PORT (SEE NOTE E FOR SIDEWALK INSTALLATION).
9. VALVE BOX SHALL BE EMWD APPROVED 12" DIA x 10" DEEP, COMPLETE WITH COVER.
10. WHEN METER IS FURNISHED BY OTHERS, USE 1½" GALV NIPPLE C/W 1½" METER FLANGES AT EACH END. LOCK ANGLE METER STOP CLOSED WITH LEAD SEAL AND THREE-STRAND SEALING WIRE. REFER TO FLOW RATE TABLE FOR NIPPLE LENGTH.
11. METER PORT HOLES CENTER TO BE INSTALLED 10" BELOW TOP OF METER BOX.
12. SERVICES THAT REQUIRE BACKFLOW PROTECTION PER EMWD'S ADMIN CODE, SHALL BE PER B-597.
13. SYSTEMS WITH ONSITE PUMPS SHALL NOT EXCEED 5 FPS VELOCITY WITHIN THE SERVICE LATERAL. SYSTEMS WITHOUT PUMPS, SHALL NOT EXCEED 10 FPS. (SEE B-342A)
14. FOR SINGLE FAMILY RESIDENTIAL UNITS, ENGINEER TO VERIFY THE ADEQUACY OF THE SERVICE LATERAL SIZE TO ALLOW FOR OPERATION OF RESIDENTIAL FIRE SPRINKLER SYSTEM. FOR COMMERCIAL AND INDUSTRIAL APPLICATIONS, SERVICE LATERAL SIZE WILL BE BASED ON VELOCITIES BEING UNDER 10 FT/S.
15. SEE MANUFACTURER'S SPECIFICATIONS FOR METER INSTALLATION.
16. CONTRACTOR SHALL RETURN AFTER ROAD SHOULDER OR PARKWAY IS COMPLETE TO INSTALL METER BOX, AND SHALL BE RESPONSIBLE FOR COORDINATING WORK OF OTHER CONTRACTORS FOR SAFEGUARDING SERVICES UNTIL METER BOXES ARE SET.
17. JUMPER ASSEMBLY USED FOR THE CONSTRUCTION OF THE METER SERVICE SHALL BE MADE OF SCHEDULE 80 PVC AND HAVE ALL PVC FITTINGS SOLVENT WELDED MEET METER MANUFACTURERS SPECIFICATIONS FOR METER INSTALLATION. JUMPER TO BE PAINTED BLUE (POTABLE JUMPERS ARE NOT TO BE USED FOR RECYCLED WATER).

PLACEMENT OF METER BOX

- A. PLACE FRONT EDGE OF METER BOX 6" BEHIND EXISTING OR PROPOSED 6' OR 8' SIDEWALKS.
- B. WHEN PROPOSED OR EXISTING SIDEWALK IS 12' WIDE, PLACE FRONT EDGE OF METER BOX 1.5' BEHIND CURB USING APPROPRIATE BOX.
- C. WHEN NO SIDEWALK IS PROPOSED, PLACE FRONT EDGE OF METER BOX 6.5' BEHIND CURB.
- D. WHEN NO CURBS ARE EXISTING OR TO BE INSTALLED UPON COMPLETION OF THE WATER SYSTEM, PLACE BACK EDGE OF METER BOX ON PROPERTY LINE.
- E. WHEN INSTALLED IN CONCRETE (SIDEWALK), USE 30" x 48" METER BOX WITH 2 PC LID ASSEMBLY WHICH INCLUDES CI READING LID.
- F. A MINIMUM 5' SEPARATION IS TO BE MAINTAINED BETWEEN THE SEWER LATERAL, WATER SERVICE AND RECYCLED WATER SERVICE.

REVISIONS					APPROVALS			EASTERN MUNICIPAL WATER DISTRICT STANDARD DRAWING	
NO.	DATE	INITIAL	DESCRIPTION	APP'D	DATE	DESIGN	INITIAL	DATE	1 ½" METER INSTALLATION
8	4/6/22	GS	REVISED CALLOUTS, BALL VALVE, METER FLOW RATE TABLE, NOTES, TEXT, LOGO, CALLOUTS, REMOVED CONDUIT DETAIL, REDUCER BUSHING, ADDED SIDEWALK INSTALLATION	AGA	4/6/22	CONSTRUCTION			
7	8/25/16	GS	REVISED NOTE 11 WITH METER LENGTH	AGA	8/26/16	OPERATIONS	ML	10/23/95	
6	6/9/15	GS	REVISED METER DATA TABLE AND NOTE #8	AGA	6/9/15	SUBMITTED			
REFERENCES:					SCALE: NONE		EASTERN MUNICIPAL WATER DISTRICT		
FILE I.D.:					DRAWN BY: KER				
							APPROVED <i>G. Hooite Ruge</i> 10/20/95 CHIEF ENGINEER DATE		
							B-342		