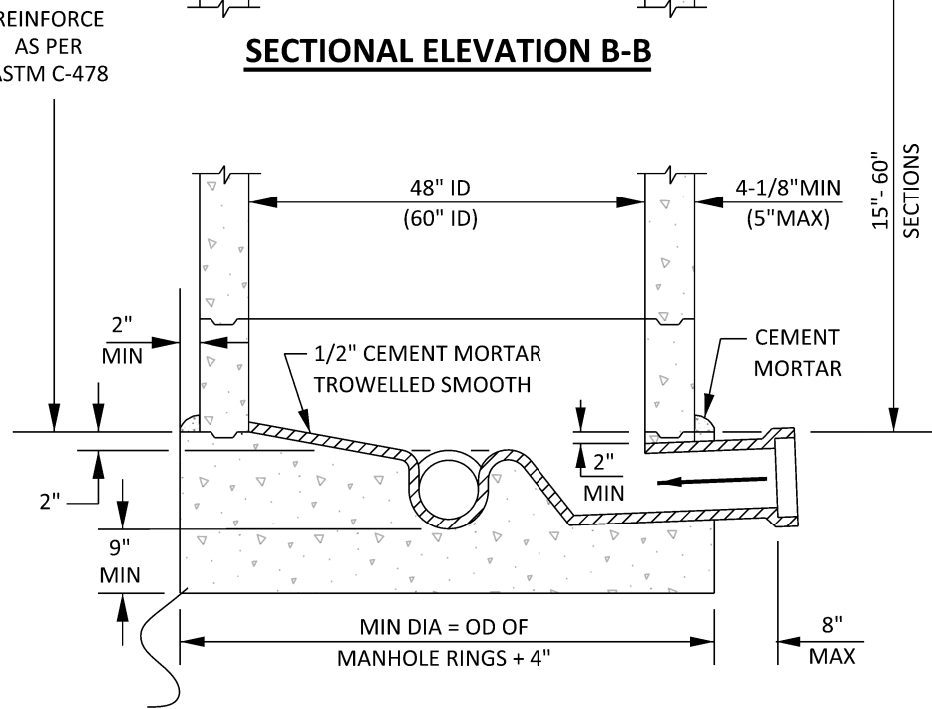


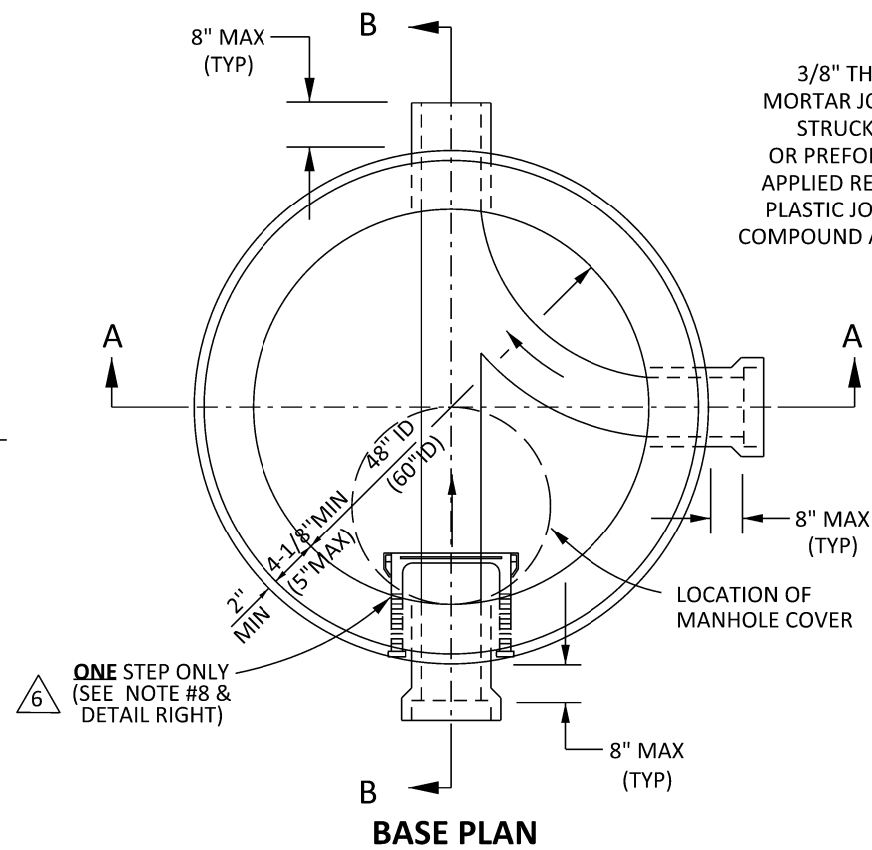
SECTIONAL ELEVATION B-B



SECTIONAL ELEVATION A-A

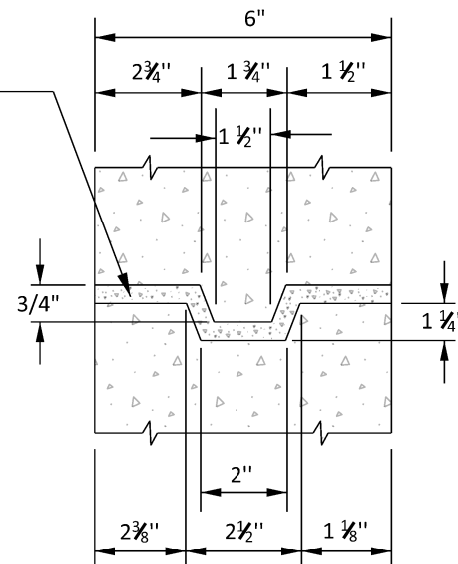
NOTES

1. PRECAST REINFORCED CONCRETE MANHOLES SHALL CONFORM TO THE APPLICABLE REQUIREMENTS OF ASTM C-478 AND:
 - A. SHALL BE DESIGNED FOR AASHO H-20 LOADING.
 - B. CONCRETE SHALL BE COMPACTLY VIBRATED, CENTRIFUGALLY SPUN, OR MECHANICALLY TAMPED.
2. SEWER MAINS ARE TO BE LAID THRU THE MANHOLE WHERE POSSIBLE AND USED AS A FORM FOR THE INVERT. THE TOP 1/2 DIAMETER OF THE PIPE IS TO BE BROKEN OUT TO A NEAT LINE. BROKEN EDGES SHALL BE PLASTERED SMOOTH WITH CEMENT MORTAR.
3. CONCRETE BASE SHALL BE OF CLASS "A" CONCRETE AND PLACED IN ONE OPERATION. CONCRETE INVERTS SHALL BE TO GRADE AND ALIGNMENT AND FINISHED WITH A SMOOTH SURFACE. SPECIAL CARE SHALL BE USED IN FORMING ALL CHANNELS TO FACILITATE THE FLOW OF SEWAGE.
4. ALL MANHOLE TOPS SHALL BE INSTALLED WITH THE MANHOLE COVER OVER THE UPSTREAM INLET, EXCEPT AS OTHERWISE SPECIFIED.
5. SEE DRAWING SB-61 FOR DETAILS AND INSTALLATION OF MANHOLE COVER AND FRAME.
6. CONTRACTOR TO USE MANHOLES WITH A 24" CLEAR OPENING FOR SEWERS 24" DIA AND SMALLER AND 36" CLEAR OPENING FOR SEWERS LARGER THAN 24" DIA UNLESS OTHERWISE DIRECTED BY THE ENGINEER.
7. STANDARD 48" & 60" MANHOLES AS SHOWN HEREON TO BE INSTALLED WHEN DEPTH TO PIPE SHELF IS GREATER THAN 5' FROM FINISHED STREET GRADE.
8. MANHOLE STEP (ONE STEP ONLY) SHALL BE EITHER CAST IN PLACE OR M.A. INDUSTRIES STEEL REINFORCED COPOLYMER POLYPROPYLENE PLASTIC DRIVE-IN STEP. INSTALLATION TO BE BY MANHOLE MANUFACTURER. STEP ORIENTED 180° FROM MANHOLE OUTLET. STEP SHALL BE CAST IN PLACE TO BE USED AS CLEANING HOOK AND SHALL BE PLACED 6" MIN AND 12" MAX FROM TOP OF SHELF.
9. DIMENSIONS PERTAINING TO 60" ID REINFORCED MANHOLES SHOWN IN PARENTHESES (X").
10. JOINT SHALL BE 3/8" THICK CEMENT MORTAR NEATLY STRUCK AND POINTED OR PREFORMED COLD-APPLIED READY-TO-USE PLASTIC JOINT SEALING COMPOUND AND PRIMER.
11. ALL MATERIALS TO BE PER EMWD APPROVED MATERIALS LIST.

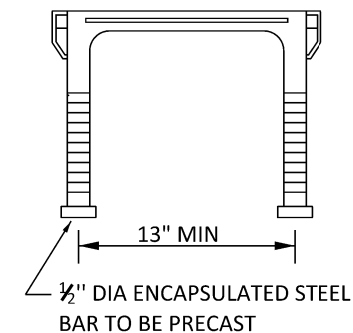


BASE PLAN

3/8" THICK CEMENT MORTAR JOINT NEATLY STRUCK & POINTED, OR PREFORMED COLD-APPLIED READY-TO-USE PLASTIC JOINT SEALING COMPOUND AND PRIMER



JOINT DETAIL



MANHOLE STEP DETAILS

USED AS CLEANING HOOK (ONE STEP ONLY, SEE NOTE 8)

REVISIONS				APPROVALS		
NO.	DATE	INITIAL	DESCRIPTION	APP'D	DATE	DATE
6	7/7/21	GS	REVISED MANHOLE STEP NOTE AND DETAILS	ACA	7/7/21	1/31/67
5	7/2/19	GS	UPDATED TITLE BLOCK, FONT, LOGO AND PAGE LAYOUT	ACA	7/2/19	
4	1/9/03	CM	REVISED NOTE 8, M.A. IND. DRIVE-IN STEP	VJB	10/15/03	
3	12/11/96	KER	REVISED STEP DETAIL AND NOTE 8	VJB	12/11/96	
2	11/13/96	KER	REVISED STEP DETAIL AND NOTE 8	VJB	11/14/96	

REFERENCES: SUPERCEDES B-XXX	SCALE: NONE
FILE I.D.: \kauai\eng\std dwgs\SB-53.dgn	DRAWN BY: KER

DESIGN	M.M.	1/31/67
CONSTRUCTION		
INSPECTION		
OPERATIONS		
SUBMITTED	L.M.	

EASTERN MUNICIPAL WATER DISTRICT

EASTERN MUNICIPAL WATER DISTRICT
STANDARD DRAWING

**PRECAST REINFORCED CONCRETE STANDARD
48" & 60" I.D. MANHOLE**

RECOMMENDED	DIRECTOR OF ENGINEERING	DATE	APPROVED	Doyle J. Boen	1/67	DATE	SB-53
			ASSISTANT GENERAL MANAGER				